

APOLLO

eralux®

TRACK LED LIGHT

Linear Track Head | Wall Wash | 1', 2' Length

APOLLO is an elegant linear wall wash track fixture perfect for enhancing any space. With power options of 30W delivering 2250 lumens and 60W providing 5100 lumens, it ensures bright, efficient lighting. Its durable aluminum die-cast casing offers excellent heat dissipation and longevity, while a wide 100-degree beam angle creates an inviting atmosphere in retail environments.

Applications: Art Galleries | Show Rooms | Retail Stores | Hospitality.

| DATE | QTY | ACC. QTY | TYPE |
|--------------|-----|----------|------|
| PROJECT | | | |
| PN | | | |
| ACCESSORY PN | | | |
| NOTES | | | |



DYNAMIC MENU

| | |
|-------------------|------------------------|
| Order Information | Page 2 |
| Dimensions | Page 3 |
| Accessories | Page 4 |
| Photometric Data | Page 6 |

[Install Instruction link](#)

SPECIFICATIONS

| | |
|--------------------------------|--|
| Input Voltage | 120V |
| Power Factor | >0.9 |
| Total Harmonic Distortion | <20% |
| Dimming Page 5 | TRIAC dimming |
| CRI | 90 CRI |
| CCT | <div style="display: flex; gap: 10px;"> <div style="border: 1px solid black; border-radius: 50%; width: 20px; height: 20px; background-color: #fff9c4; display: flex; align-items: center; justify-content: center;">27K</div> <div style="border: 1px solid black; border-radius: 50%; width: 20px; height: 20px; background-color: #fff176; display: flex; align-items: center; justify-content: center;">30K</div> <div style="border: 1px solid black; border-radius: 50%; width: 20px; height: 20px; background-color: #fff9c4; display: flex; align-items: center; justify-content: center;">35K</div> <div style="border: 1px solid black; border-radius: 50%; width: 20px; height: 20px; background-color: #e1bee7; display: flex; align-items: center; justify-content: center;">40K</div> </div> |
| Efficacy | ~85-90 lm/W |
| Size & Power | 1 FT 30 W 2 FT 60 W |
| Ambient Temperature Range | -10°C to 35°C |
| Mounting Adapter | Juno Global Halo Lightolier |
| Mounting Options | Track System Monopoint |
| Fixture Finish | Black White Silver |



PRODUCT CERTIFICATIONS



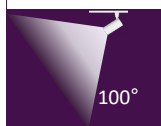
SYSTEM WARRANTY – 5 YEARS

Eralux will warrant defective drivers, LEDs and boards for 5 years from the date of purchase. This warranty is valid only if the fixture is installed and used as per installation guides and specifications. If a defect is present, Eralux will send drivers and boards at no fee with a thorough replacement instructions along with instructions on the return of the defective parts back to Eralux.

LUMEN MAINTENANCE – L70 at 50,000 hours

Rated for 70% initial lumen output at 50,000 hours of operation, operated at 25°C ambient temperature; per guidelines published by the Illuminating Engineering Society (IES).

Distribution



TRACK LED LIGHT

Linear Track Head | Wall Wash | 1', 2' Length



ORDERING GUIDE

| | | | | | | | |
|--|--|----------------------|-----------------------------------|----------------------------|--------------------|-------------------------|---------------------------------|
| AE-TL-AP | | 12 | FL | P | | | |
| AE-TL-AP ERALUX Apollo linear wall wash track head | 1FT 1 foot 30 W 2250 lm | 12 120V | FL Flood wall wash 100° | P Premium 90 CRI | 27 2700K | J1 Juno | BK Black powder coat |
| | 2FT 2 feet 60 W 5100 lm | | | | 30 3000K | G1 Global | WH White powder coat |
| | | | | | 35 3500K | H1 Halo | SV Silver powder coat |
| | | | | | 40 4000K | L1 Lightolier | |
| Fixture Family | Length | Input Voltage | Distribution | CRI | CCT | Adapter | Finish |



ORDERING GUIDE-ACCESSORIES

Ordered separately

| | |
|-------------------------------------|---------------------|
| | |
| T10016 Monopoint Mounting | -BK Black |
| T10017 Duopoint Mounting | -WH White |
| Mounting | Finish |

ORDERING GUIDE- TRACK SYSTEM

Track system and components are ordered with the track head if needed.

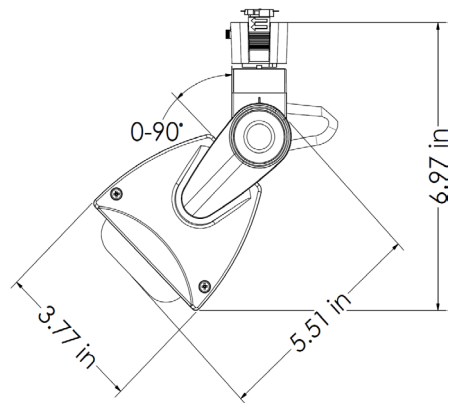
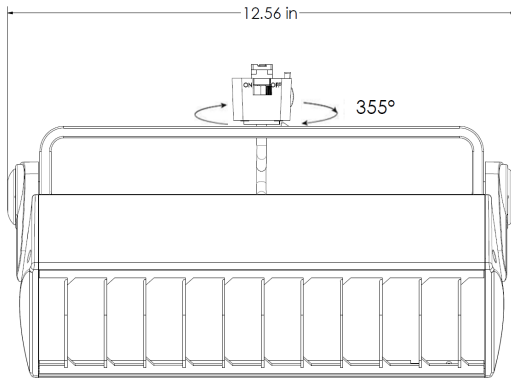
Refer to the links below for more information

| | | | | |
|---|------------------------------|----------------------------|-----------|------------|
| T1 ERALUX Track T1 Compatible with Juno system-1 circuit | -2 2ft track | | | |
| | -4 4ft track | -BK Black Finish | | |
| | -6 6ft track | | | |
| | -8 8ft track | | | |
| | -12 12ft track | | | |
| T2 ERALUX Track T2 Compatible with Juno system-2 circuit | 0001 Mini I Connector | -WH White Finish | | |
| | 0002 T Connector | | | |
| | 0003 L Connector | | | |
| H1 ERALUX Track H1 Compatible with Halo system-1 circuit | 0004 X Connector | | | |
| | 0015 End Feed | | | |
| TRACK SYSTEM | Track System | Finish | PN | QTY |

DIMENSIONS

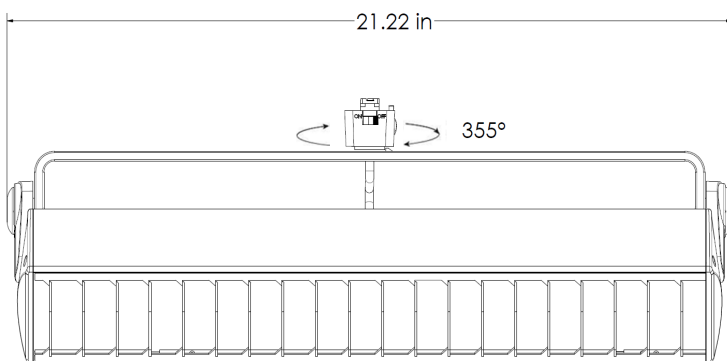
AE-TL-1FT

- Rotation up to 355°
- Tilt +/- 90°





AE-TL-2FT

- Rotation up to 355°
- Tilt +/- 90°



ACCESSORIES

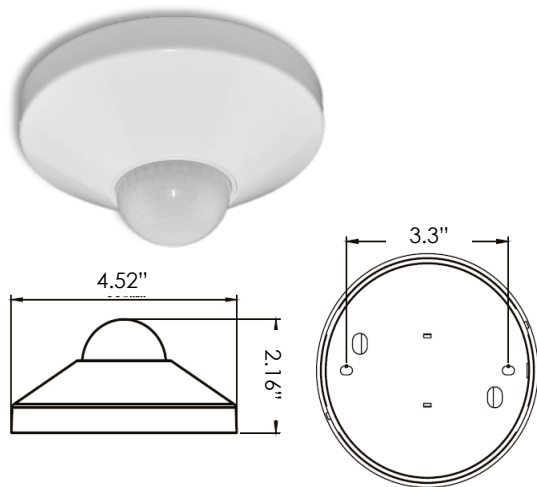
MOUNTING

| ORDERING CODE | | DESCRIPTION | PICTURE |
|---------------|-----|---|---|
| T10016 | -WH | Monopoint adapter Surface / wall mount Compatible with Juno system 1 Track head can be installed. |  |
| | -BK | | |
| T10017 | -WH | Duopoint adapter Surface / wall mount Compatible with Juno system. 2 Track heads can be installed. |  |
| | -BK | | |

ROOM OCCUPANCY SENSOR

Ordered separately, field installed

| PART NUMBER | DESCRIPTION |
|-------------|----------------------------|
| AE-CT-DT806 | Line Voltage Motion Sensor |
| RC102 | RC102 Remote Control |



| SPECIFICATIONS | | |
|------------------------|------------------|-------|
| Input Voltage | 120-277 Vac | |
| Power Frequency | 50/60HZ | |
| Rated Load | At 120 Vac | 800W |
| | At 277 Vac | 1200W |
| Detection Range | 3-10 Meters | |
| | 9.8-32.75 Feet | |
| Standby Power | ~0.9W | |
| Time Setting | 10 sec to 30 min | |
| Light Control | 10-2,000LUX | |
| Installation | Ceiling Mounted | |

DIMMER COMPATIBILITY LIST

TRIAC/ELV Dimming

| Brand | Model | Brand | Model | Brand | Model |
|--------|------------|---------|-----------|------------|----------|
| Lutron | S-603PG | Lutron | LG-600P | Cooper | SLC03P |
| | DVELV-303P | | DVCL-153P | | DLC03P |
| | CT-103P | | MAELV-600 | | DAL06P |
| | SELV-300P | Leviton | IPI06-1LZ | Lightolier | ZP260QEW |
| | S-600P | | 6631-2 | | |
| | DV-600P | | 6683-IW | | |
| | FAELV-500 | | IPE04 | | |
| | TGCL-153P | | 6161 | | |
| | TG-600P | | 6633-P | | |
| | VPE06 | | | | |

0-10V Dimming

| Brand | Model |
|----------------------------|----------|
| Lutron, Diva series | DVTV |
| | NFTV |
| Leviton, IllumaTech series | IP710-DL |

LUMEN ESTIMATE

Lumen output varies based on CCT and CRI. An estimate of lumen output of the various CCT/CRI combinations, use correction factors as per table below:

LUMEN ESTIMATE ADJUSTMENT FACTORS

| CCT | 2700K | 3000K | 4000K |
|-----------------|-------|-------|-------|
| PREMIUM (90CRI) | 0.96 | 1 | 1.06 |

PHOTOMETRIC DATA

| PART NUMBER | | ZONAL LUMEN SUMMARY | | | POLAR LUMINOUS INTENSITY | CONE DISTRIBUTION | | | |
|------------------------|-------|---------------------|---------|-----------|--------------------------|--|------------|---------|---------|
| AE-TL-AP1FT12FLP30X1XX | | Zone | Lumens | % Fixture | Direct Light | Center Beam Fc | Beam Width | | |
| Length | 1 FT | 0-20° | 358.15 | 14.7 | | 1.7ft | 344 fc | 3.9 ft | 4.2 ft |
| Wattage | 30W | 0-30° | 747.79 | 30.8 | | 3.3ft | 91.2 fc | 7.5 ft | 8.1 ft |
| CCT | 3000K | 0-40° | 1197.8 | 49.3 | | 5.0ft | 39.7 fc | 11.4 ft | 12.3 ft |
| Distribution | 100' | 0-60° | 2011.68 | 82.7 | | 6.7ft | 22.1 fc | 15.3 ft | 16.5 ft |
| CBCP | 1900 | 0-80° | 2387.61 | 98.2 | | 8.3ft | 14.4 fc | 19.0 ft | 20.4 ft |
| | | 0-90° | 2404.37 | 98.9 | | 10.0ft | 9.93 fc | 22.8 ft | 24.6 ft |
| | | | | | | ■ Vert. Spread: 97.6° ■ Horiz. Spread: 101.7° | | | |

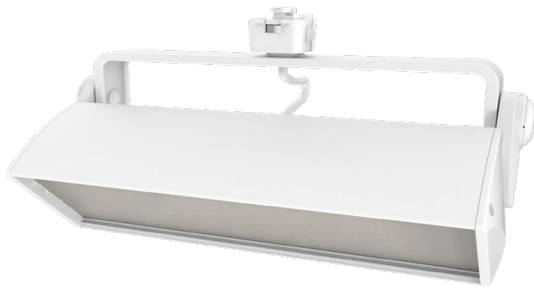
| PART NUMBER | | ZONAL LUMEN SUMMARY | | | POLAR LUMINOUS INTENSITY | CONE DISTRIBUTION | | | |
|------------------------|-------|---------------------|---------|-----------|--------------------------|--|------------|---------|---------|
| AE-TL-AP2FT12FLP30X1XX | | Zone | Lumens | % Fixture | Direct Light | Center Beam Fc | Beam Width | | |
| Length | 2 FT | 0-20° | 358.15 | 14.70 | | 1.7ft | 656 fc | 3.9 ft | 4.2 ft |
| Wattage | 60W | 0-30° | 747.79 | 30.80 | | 3.3ft | 174 fc | 7.5 ft | 8.2 ft |
| CCT | 3000K | 0-40° | 1197.8 | 49.30 | | 5.0ft | 75.9 fc | 11.4 ft | 12.4 ft |
| Distribution | 100' | 0-60° | 2011.68 | 82.70 | | 6.7ft | 42.2 fc | 15.3 ft | 16.6 ft |
| CBCP | 1900 | 0-80° | 2387.61 | 98.20 | | 8.3ft | 27.5 fc | 19.0 ft | 20.6 ft |
| | | 0-90° | 2404.37 | 98.90 | | 10.0ft | 19 fc | 22.9 ft | 24.8 ft |
| | | | | | | ■ Vert. Spread: 97.7° ■ Horiz. Spread: 102.3° | | | |

OVERVIEW



Innovative Design

- High-quality aluminum die-cast for durability and strength.
- Superior thermal heat dissipation for optimal performance.
- Dual-purpose diffuser acts as a visual shield and heat sink.



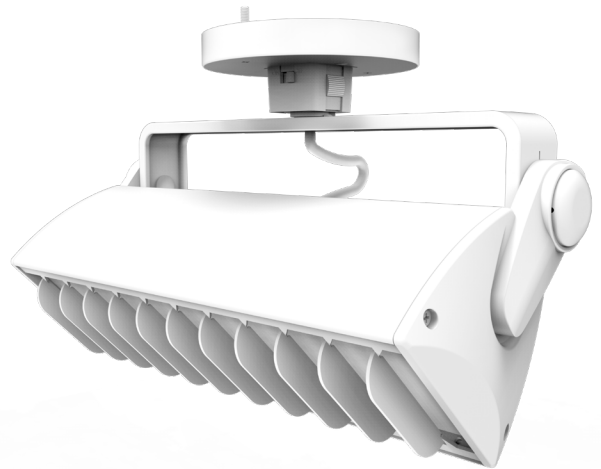
Multiple Options

- Available in 1FT and 2FT lengths providing up to 2250 or 5100 lumens
- Four CCTs available.
- Black, white, and silver finishes.



Mountings Available

- Choose from any of the popular track systems such as Juno, Halo, Lightolier, or Global.
- Surface mount with either monopoint or duopoint adapters.



Tests And Certifications



Feature

- Wall Wash lens, 100° distribution

