

AQX SLIM

LINEAR FIXTURES

Linear Architectural Lighting



eralux®



Our AQXS Linear is IP65 rated/ Not fully exposed outdoors. It can be surface mounted or suspended ; stand alone or continuous. Maintains high efficiency at 90CRI. The best option for pools, subway entrance or even train platforms.

| | | | | | | |
|---------------|------------|---|---|---|----|---|
| DATE | | | | | | |
| PROJECT NAME | | | | | | |
| TYPE | | | | | | |
| QTY | | | | | | |
| ORDERING CODE | AE-SF-AQXS | - | - | - | -S | - |

OPERATING & ELECTRICAL

| | |
|--------------------------------|----------|
| INPUT VOLTAGE | 120-277V |
| POWER FACTOR | 0.9 |
| DIMMING | 0-10V |
| TOTAL HARMONIC DISTORTION(THD) | <20% |

PERFORMANCE

| | |
|-------------------|--------------------|
| LUMENS PER WATT | 85-90 LPW at 90CRI |
| POWER CONSUMPTION | 31W 46W 61W |
| BEAM ANGLE | 108° |

MECHANICAL & HOUSING

| | |
|--------------|--|
| HOUSING | Die casting aluminum for increased rigidity and strength |
| LENS | Highly durable polycarbonate and high transmittance lens |
| FINISH | Black, White |
| POWER SUPPLY | Factory wired electronic LED driver |
| LED BOARD | LED Array |

APPLICATION CONDITION

| | |
|---------------------------|----------------|
| AMBIENT TEMPERATURE RANGE | -20 °C to 45°C |
| STORAGE TEMPERATURE | -40°C to 60°C |

COMPATIBLE MOUNTING

| | |
|----------|----------------------------|
| MOUNTING | SUSPENDED SURFACE MOUNT |
|----------|----------------------------|

WARRANTY

SYSTEM WARRANTY – 5 YEARS

Eralux will warrant defective drivers, LEDs and boards for 5 years from the date of purchase. This warranty is valid only if the fixture is installed and used as per installation guides and specifications. If a defect is present, Eralux will send drivers and boards at no fee with a thorough replacement instructions along with instructions on the return of the defective parts back to Eralux.

LUMEN MAINTENANCE – L80 at 50,000 hours

Rated for 80% initial lumen output at 50,000 hours of operation, operated at 25°C ambient temperature; per guidelines published by the Illuminating Engineering Society (IES)

| | |
|---------------|-------------------------|
| DATE | |
| PROJECT NAME | |
| TYPE | |
| QTY | |
| ORDERING CODE | AE-SF-AQXS - - - -S - - |

ORDERING GUIDE

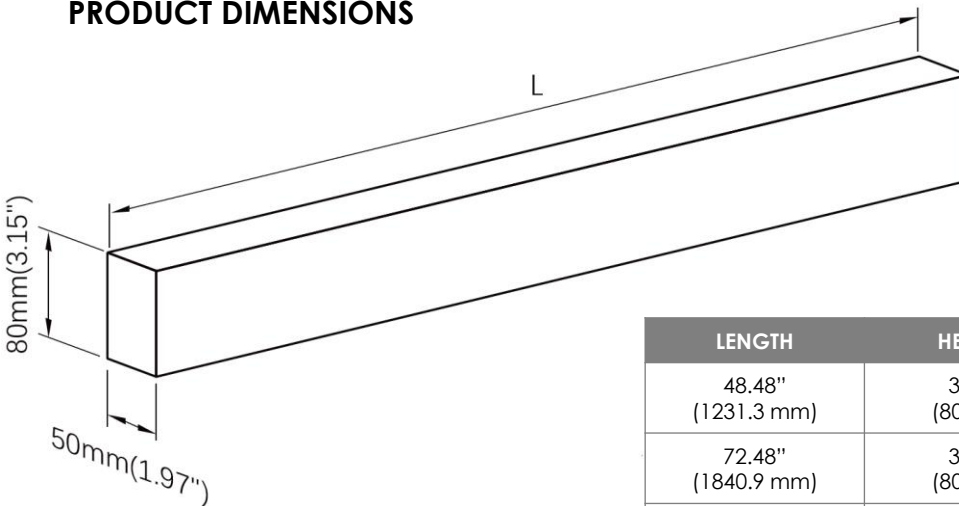
EXAMPLE: AE-TL-AQXS-431-30-S-WH-AIR

| FIXTURE FAMILY | LENGTH | POWER | CCT | POWER CORD | FINISH | MOUNTING OPTIONS |
|---|--------------------------------------|-----------------------------------|------------------------|--|------------------------------|---|
| AE-SF-AQXS- | | - | - | -S | - | |
| AE-SF-AQXS AQX ARCHITECTURAL LINEAR | 4 4 Feet Linear Fixture | 31 31W: 2936lms @ 4000k | 30 3000K CCT | S POWER CORD COMES WITH THE FIXTURE BY DEFAULT | WH WHITE FINISH | -AIR** Suspended Linear |
| | 6 6 Feet Linear Fixture | 46 46W: 4404lms @ 4000k | 35 3500K CCT | | BK BLACK FINISH | -SMT Surface Mount |
| | 8 8 Feet Linear Fixture | 61 61W: 5872lms @ 4000k | 40 4000K CCT | | SV SILVER FINISH | -AIR-LINK** Suspended Linear Continuous |
| | | | | | | -SMT-LINK Surface Mount Continuous |

*AIR comes with 2 canopy KITS (with and without power feed hole).

**AIR -LINK comes with 1 canopy KITS (without power feed hole), mechanical connection and electrical one for continuous runs.







PRODUCT DIMENSIONS



| LENGTH | HEIGHT | WIDT |
|------------------------|------------------|------------------|
| 48.48" (1231.3 mm) | 3.15" (80 mm) | 1.97" (50 mm) |
| 72.48" (1840.9 mm) | 3.15" (80 mm) | 1.97" (50 mm) |
| 96.48" (2450.59 mm) | 3.15" (80 mm) | 1.97" (50 mm) |

| | |
|---------------|-------------------------|
| DATE | |
| PROJECT NAME | |
| TYPE | |
| QTY | |
| ORDERING CODE | AE-SF-AQXS - - - -S - - |

ACCESSORIES

| ORDERING CODE | DESCRIPTION | PICTURE |
|--------------------------|--|---|
| AE-SF-AQXS-L-PTB-PF2-6-D | Suspension Mount Kit Canopy with 2 holes Suspension wire |  |
| AE-SF-AQXS-L-PTB-NPF-6-D | Suspension Mount Kit Canopy with 1 hole Suspension wire |  |
| AE-SF-AQXS-SMK | Surface Mount Kit |  |
| AE-SF-AQXS-BV-MV20-5 | 5-Pin Dimmable waterproof cable connector |  |
| AE-SF-AQXS-L-CH-IP12-5 | 4FT 5-PIN Connection Cable for Continuous Runs |  |
| AE-SF-AQXS-L-CH-IP18-5 | 6FT 5-PIN Connection Cable for Continuous Runs | |
| AE-SF-AQXS-L-CH-IP24-5 | 8FT 5-PIN Connection Cable for Continuous Runs | |
| AE-SF-AQXS-LINK | Linkable Metal Accessory For Continuous Runs |  |

| | |
|---------------|-------------------------|
| DATE | |
| PROJECT NAME | |
| TYPE | |
| QTY | |
| ORDERING CODE | AE-SF-AQXS - - - -S - - |

ACCESSORIES (Continued)

Ordered separately, field installed

EMERGENCY LED DRIVER (BLD-YTXXD-XXX)

BLD-YT08D-XXX

OUTPUT POWER : 8 WATTS

BLD-YT15D-XXX

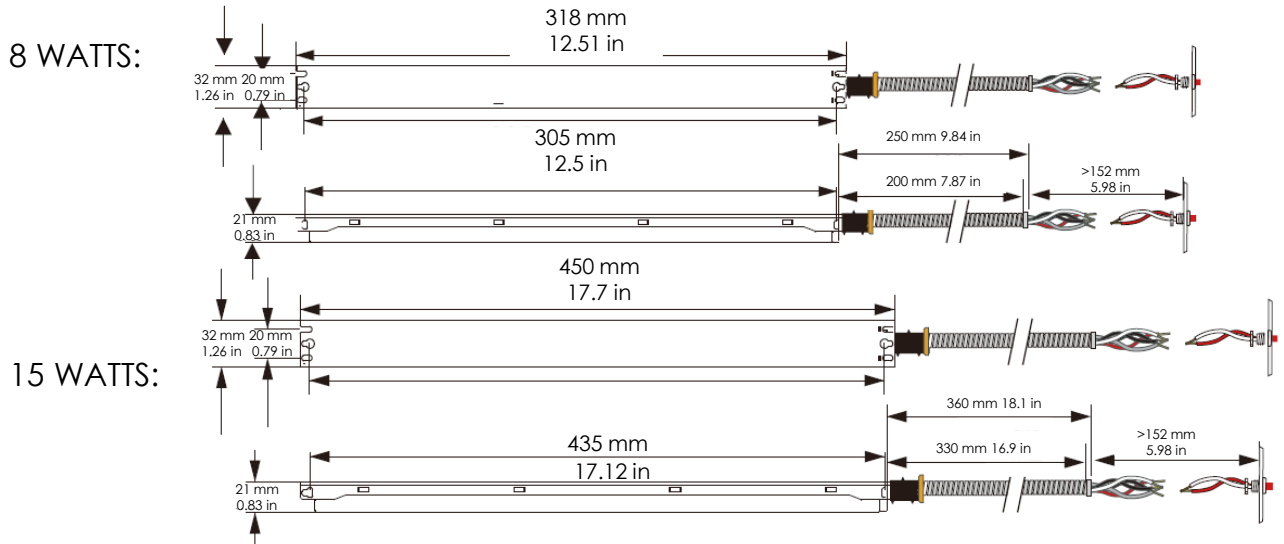
OUTPUT POWER : 15 WATTS



- Easy Wiring
- Certified For CA Title 20
- Constant Power Performance

BLD-YTXXD-XXX LED Emergency Driver is UL listed for field and factory installation that allows the same LED fixture to be used for both normal and emergency operation. In the event of a power failure, the emergency driver switches to emergency mode and operates the fixture for 90 minutes. This module will operate a LED array load at 8W or 15W with constant power at a rated output voltage of 30-60 VDC. The constant power design of BLD-YTXXD-XXX maintains the output wattage to the LED array, providing consistent illumination for the entire emergency runtime. Its slim shape is ideal for use in linear LED lighting fixtures.

DIMENSIONS (inches and mm)



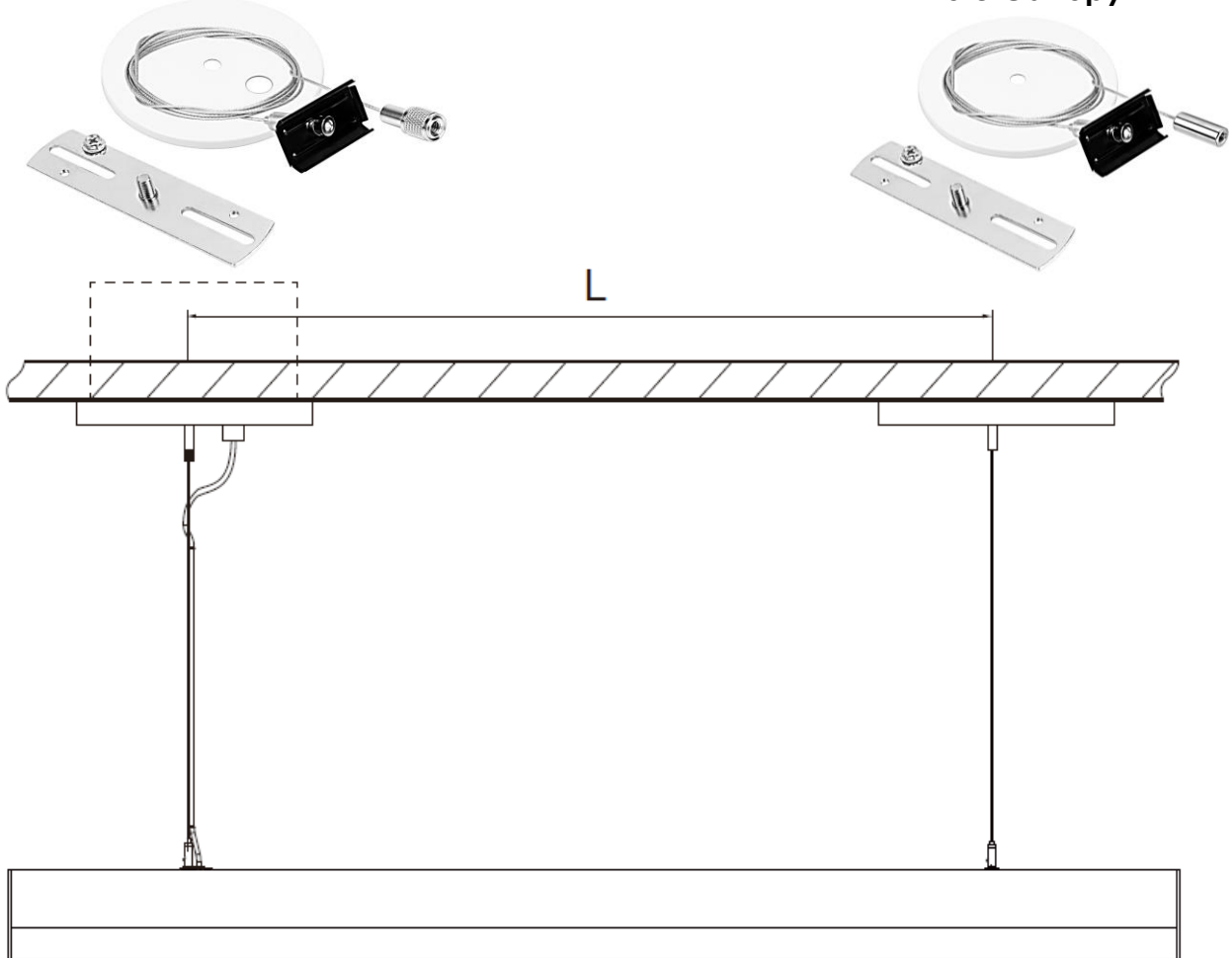
| | |
|---------------|-------------------------|
| DATE | |
| PROJECT NAME | |
| TYPE | |
| QTY | |
| ORDERING CODE | AE-SF-AQXS - - - -S - - |

MOUNTING OPTIONS

DRILLING PATTERN FOR SUSPENDED MOUNT-SUSPENSION

2 Hole Canopy

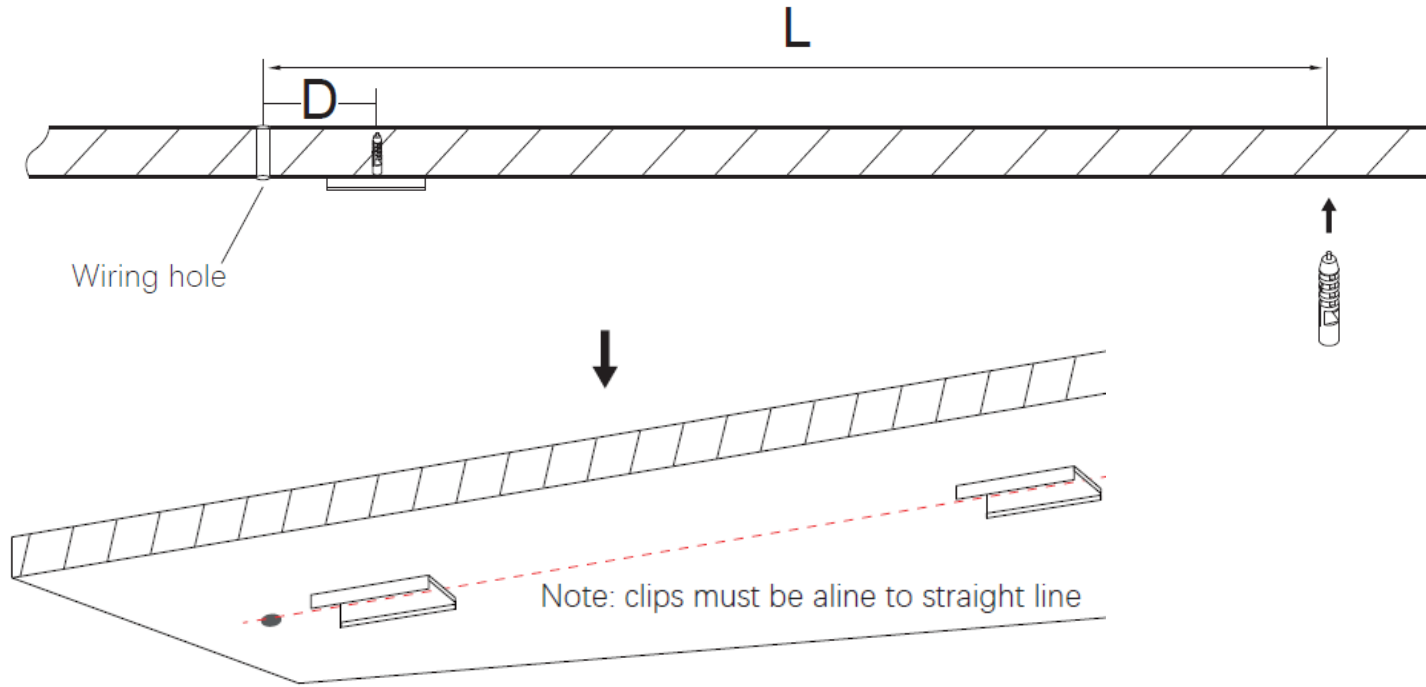
1 Hole Canopy



| FIXTURE | 1230mm (48.42") | 1841mm (72.40) | 2449mm (96.41) |
|---------|-------------------------------|--------------------------------|------------------------------|
| L | 932mm±10mm (36.69" ±0.39") | 1342mm±10mm (52.53" ±0.39") | 2000mm±10mm (78.74±0.39") |

| | |
|---------------|-------------------------|
| DATE | |
| PROJECT NAME | |
| TYPE | |
| QTY | |
| ORDERING CODE | AE-SF-AQXS - - - -S - - |

SURFACE MOUNT INSTALLATION

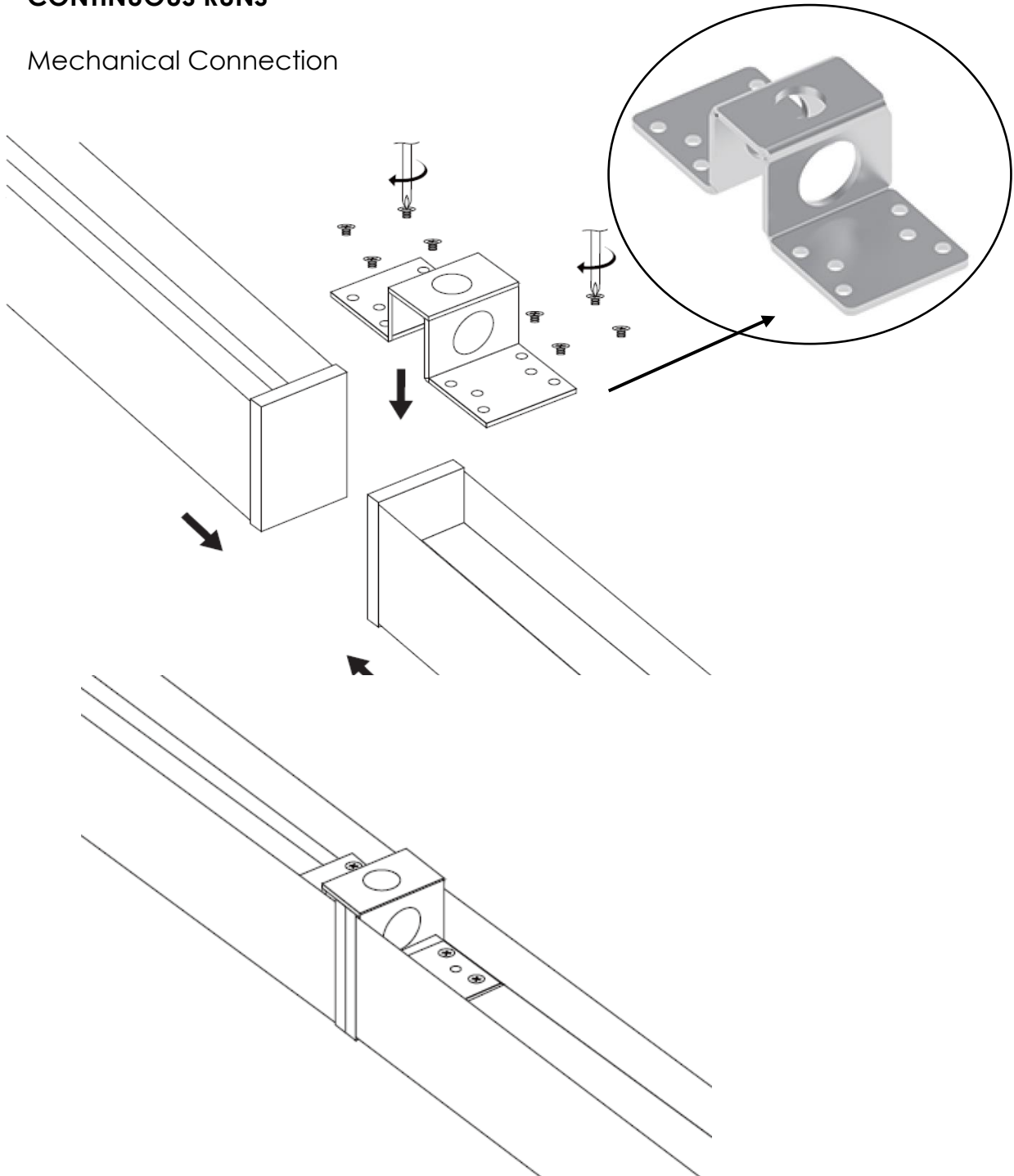


| FIXTURE | 1230mm (48.42") | 1841mm (72.40) | 2449mm (96.41) |
|---------|-------------------------------|--------------------------------|------------------------------|
| L | 932mm±10mm (36.69" ±0.39") | 1342mm±10mm (52.53" ±0.39") | 2000mm±10mm (78.74±0.39") |
| D | 50mm±5mm (1.96" ±0.196") | | |

| | |
|---------------|-------------------------|
| DATE | |
| PROJECT NAME | |
| TYPE | |
| QTY | |
| ORDERING CODE | AE-SF-AQXS - - - -S - - |

CONTINUOUS RUNS

Mechanical Connection

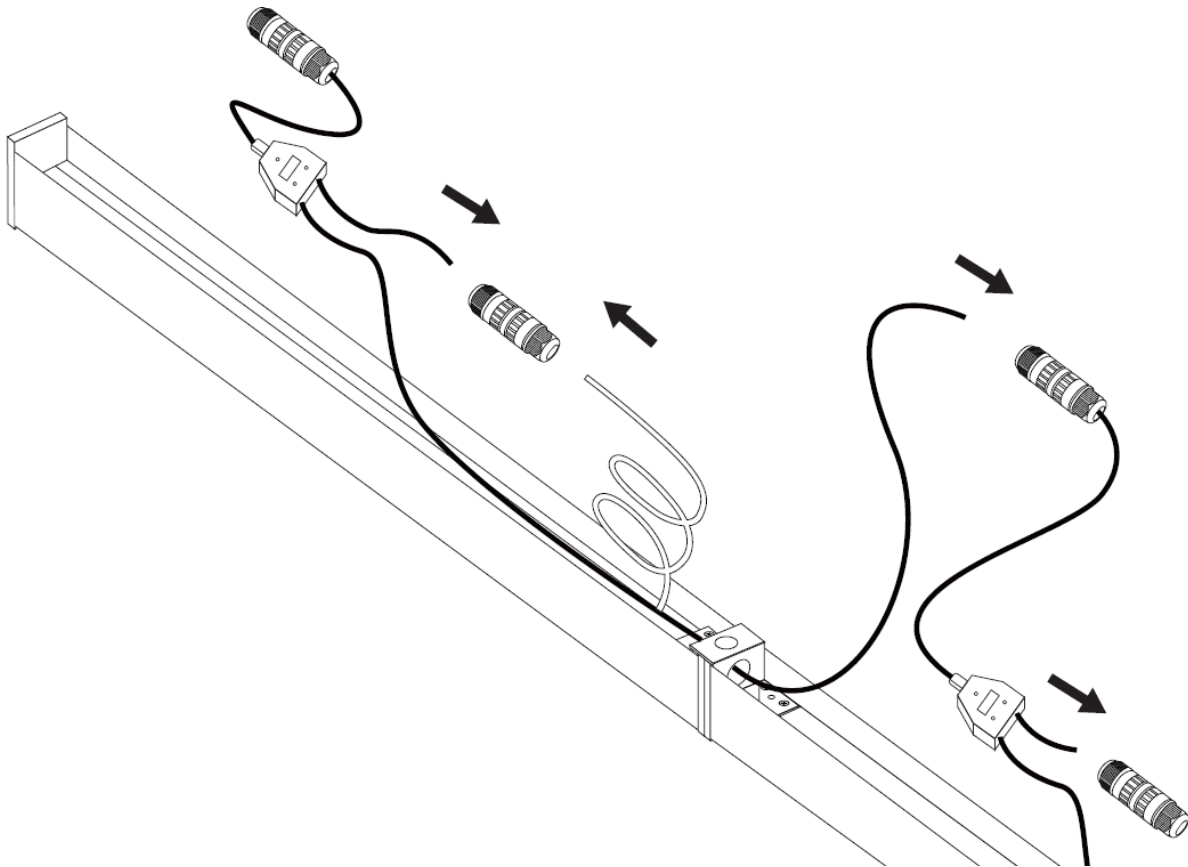


| | |
|---------------|-------------------------|
| DATE | |
| PROJECT NAME | |
| TYPE | |
| QTY | |
| ORDERING CODE | AE-SF-AQXS - - - -S - - |

CONTINUOUS RUNS

Electrical Connection

AC Input



Components



5-PIN waterproof connection cable (current \leq 6A)



5-PIN waterproof cable connector

| | |
|---------------|-------------------------|
| DATE | |
| PROJECT NAME | |
| TYPE | |
| QTY | |
| ORDERING CODE | AE-SF-AQXS - - - -S - - |

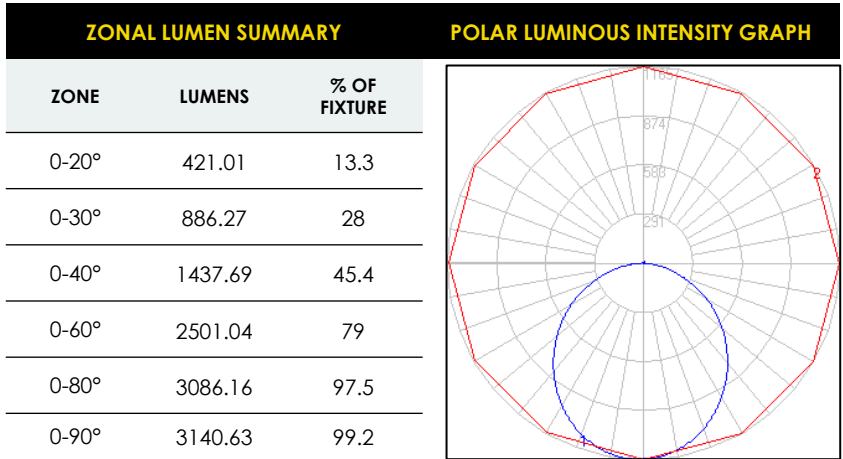
LUMEN ESTIMATE

Lumen output varies based on CCT and CRI. An estimate of lumen output of the various CCT/CRI combinations, use correction factors as per table below:

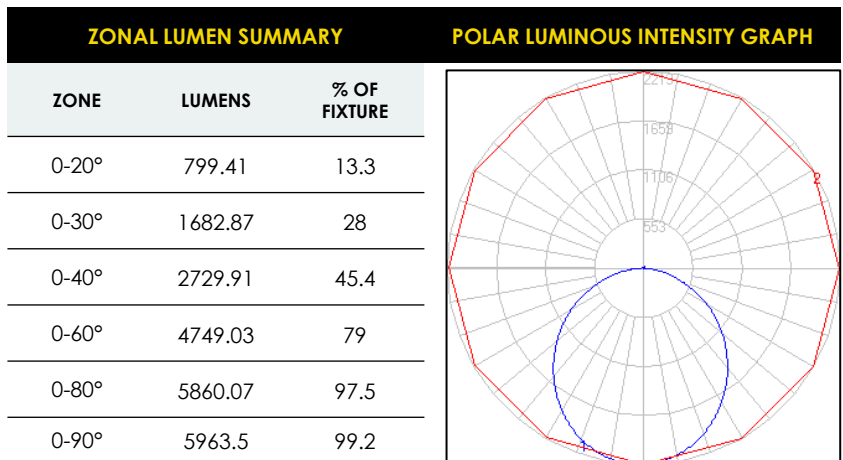
| LUMEN ESTIMATE ADJUSTMENT FACTORS | | | |
|-----------------------------------|-------|-------|-------|
| CCT | 3000K | 3500K | 4000K |
| PREMIUM (90CRI) | 1 | 1.03 | 1.06 |

PHOTOMETRIC DATA

AE-TL-AQXS-4-31-40-D-XX-XX
 31W
 4000K CCT

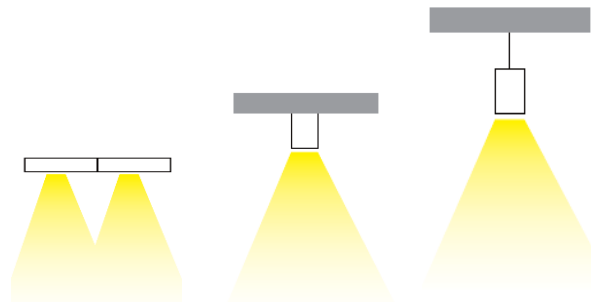


AE-TL-AQXS-8-61-40-D-XX-XX
 61W
 4000K CCT



| | |
|---------------|-------------------------|
| DATE | |
| PROJECT NAME | |
| TYPE | |
| QTY | |
| ORDERING CODE | AE-SF-AQXS - - - -S - - |

OVERVIEW



MOUNTING OPTIONS

AQX linear has various mounting options; surface / suspended mount and continuous runs are achievable.

PROTECTION

IP65 rated (**NOT FULLY EXPOSED OUTDOORS**).

PREMIUM DESIGN & MATERIALS

Aluminum die cast housing for superior thermal heat dissipation, strength, and rigidity. Integrated fin heat dissipation structure built into the fixture's housing provides long lasting LED and driver function.

FINISH

Standard ERALUX finish provides an elegant look to the fixture's housing. It comes in Black/White/Silver.