

ASTELLANO

OUTDOOR PRODUCTS

Outdoor wall pack light



The Astellano is a wall wash outdoor lighting that will have no issue with illuminating the exterior of your building. The wall pack delivers up to 120 LPW in a variety of power and CCT options depending on your preferences. It is heavy-duty aluminum die cast housing, is fully sealed to be dirt and even bug proof. It is proven to withstand the outdoor elements. Available with photocell and motion sensor options, the Astellano outpaces its competitors and is the luminaire for your outdoor lighting needs.

eralux®



DATE	
PROJECT NAME	
TYPE	
QTY	
ORDERING CODE	AE-EP-AS D

OPERATING & ELECTRICAL

INPUT VOLTAGE	120-277V, 120-347V
POWER FACTOR	0.9
DIMMING	0-10V external dimming down to 10%
TOTAL HARMONIC DISTORTION (THD)	<20%

PERFORMANCE

LUMENS PER WATT	120 LPW at 80CRI
POWER	40, 60, 90, 120W
BEAM ANGLE	90° x 100°

MECHANICAL & HOUSING

HOUSING	Aluminum die cast housing for superior heat dissipation, strength, and rigidity.
LENS	UV resistant, shatterproof glass lens ensures high efficiency light output for a clean, evenly illuminated surface with minimal glare. High transmittance lens allowing for a smooth, diffused light pattern.
FINISH	Powder coat finish for the toughest outdoor conditions. Available in black and bronze color options.
POWER SUPPLY	Factory wired electronic LED driver
LED BOARD	Light emitted source

APPLICATION CONDITION

AMBIENT TEMPERATURE RANGE	-35°C to 55°C
PROTECTION	Wet location

COMPATIBLE MOUNTING

MOUNTING	Surface, wall mounted
----------	-----------------------

WARRANTY

SYSTEM WARRANTY – 5 YEARS

Eralux will warrant defective drivers, LEDs and boards for 5 years from the date of purchase. This warranty is valid only if the fixture is installed and used as per installation guides and specifications. If a defect is present, Eralux will send drivers and boards at no fee with a thorough replacement instructions along with instructions on the return of the defective parts back to Eralux.

LUMEN MAINTENANCE – L85 at 50,000 hours

Rated for 85% initial lumen output at 50,000 hours of operation, operated at 25°C ambient temperature; per guidelines published by the Illuminating Engineering Society (IES)

eralux® ASTELLANO

OUTDOOR PRODUCTS

Outdoor wall pack light

DATE					
PROJECT NAME					
TYPE					
QTY					
ORDERING CODE	AE-EP-AS		D		

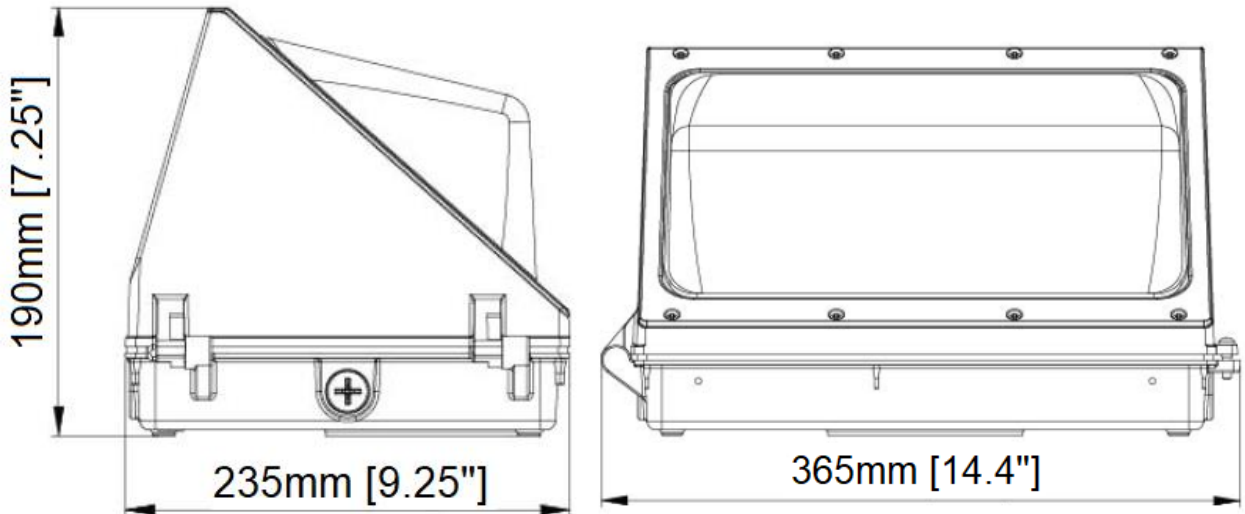
ORDERING GUIDE

EXAMPLE: AE-WP-AS040DUV35KBK

FIXTURE FAMILY	POWER	CONTROLS	VOLTAGE	CCT	ACCESSORIES	Finish
AE-WP-AS		D				
AE-WP-AS ERALUX Astellano Series outdoor wall pack light fixture	040 40 watts: 4800 lumens	D 0-10V external dimming down to 10%	UV 120-277Vac input voltage range	35K 3500K CCT	PC Photocell light sensor (Only for UV option)	BK Black powder coat finish
	060 60 watts: 7200 lumens			40K 4000K CCT		BZ Bronze powder coat finish
	090 90 watts: 10800 lumens		CA 120-347Vac input voltage	45K 4500K CCT	[LEAVE BLANK] No item	WH ERALUX nebula white powder coat finish
	120 120 watts: 14400 lumens			50K 5000K CCT		AL Aluminum (RAL9006) powder coat finish

PRODUCT DIMENSIONS

AE-WP-AS



eralux® ASTELLANO

OUTDOOR PRODUCTS

Outdoor wall pack light

DATE				
PROJECT NAME				
TYPE				
QTY				
ORDERING CODE	AE-EP-AS	D		

LUMEN ESTIMATE

Lumen output varies based on CCT and CRI. An estimate of lumen output of the various CCT/CRI combinations, use correction factors as per table below:

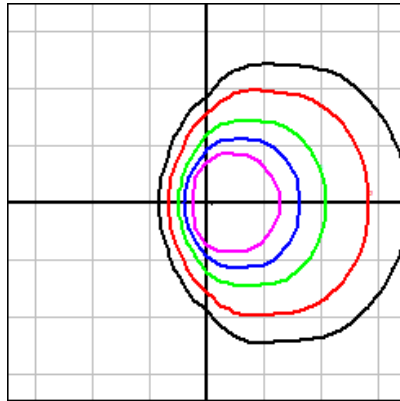
LUMEN ESTIMATE ADJUSTMENT FACTORS

CCT	2700K	3000K	3500K	4000K
NORMAL (80CRI)	.91	.94	.97	1

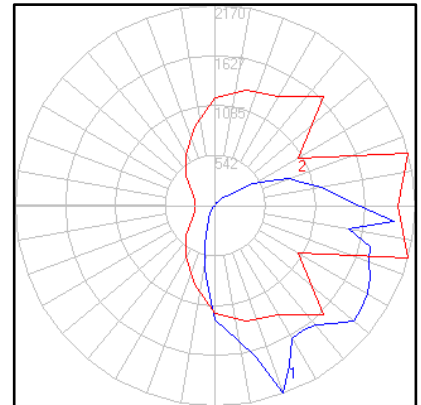
PHOTOMETRIC DATA

AE-OD-AS40DUV40K-XX

GRID DISTANCES WITH A MOUNTING HEIGHT OF 10' AFG



POLAR LUMINOUS INTENSITY GRAPHS



eralux® ASTELLANO

OUTDOOR PRODUCTS

Outdoor wall pack light

DATE					
PROJECT NAME					
TYPE					
QTY					
ORDERING CODE	AE-EP-AS		D		

ACCESSORIES

Ordered separately, field installed

SHIELD GUARD

FIXTURE FAMILY	GUARD	FINISH
AE-WP-AS	-RS	-
AE-OD-AS ERALUX Astellano Series outdoor area light fixture	-RS Rotatable shield guard	-BK Black powder coat finish
		-BZ Bronze powder coat finish

WIRE GUARD

FIXTURE FAMILY	GUARD
AE-WP-AS	-WG
AE-OD-AS ERALUX Astellano Series outdoor area light fixture	-WG Wire Guard



Wire guard



Rotatable shield guard

SENSORS

FIXTURE FAMILY	GUARD
AE-WP-AS	-PC
AE-OD-AS ERALUX Astellano Series outdoor area light fixture	-PC Photocell daylight sensor



Photocell daylight sensor

DATE				
PROJECT NAME				
TYPE				
QTY				
ORDERING CODE	AE-EP-AS	D		

OVERVIEW



ACCESSORIES

Side mounted photocell day-light sensor optional.

GLASS LENS

UV-resistant, shatterproof glass lens ensures high efficiency light output for an evenly illuminated surface.

PREMIUM MATERIALS

Aluminum die-cast housing for superior heat dissipation and fixture structural strength.

MULTIPLE FINISH OPTIONS

Choose from multiple finish options including black, and bronze colorways.

