

ASTRO LINE

eralux®

TRACK LED LIGHT

Linear Track Head | 1.2" Aperture | Wall Wash

The Astro Line track head is an ideal choice for wall wash projects, thanks to its unique beam angles (SINGLE ASYMMETRICAL / DOUBLE ASYMMETRICAL). It features a sleek linear design available in both 2- and 4-foot lengths, with a CCT SELECTABLE option (30K/35K/40K) that makes it adaptable to any project. Additionally, it comes in a variety of finishes, including White, Black, and Silver, to suit different styles.

Applications: Art Galleries | Show Rooms | Retail Stores | Hospitality.

	DATE	QTY	ACC. QTY	TYPE
PROJECT				
PN				
ACCESSORY PN				
NOTES				




DYNAMIC MENU

Order Information	Page 2
Dimensions	Page 3
Accessories	Page 4
Photometric Data	Page 5

[Install Instruction link](#)

SPECIFICATIONS

Input Voltage	120V
Power Factor	>0.9
Total Harmonic Distortion	<20%
Dimming	TRIAC
CRI	90 CRI
CCT	<div style="display: flex; gap: 10px;"> <div style="border: 1px solid black; border-radius: 50%; padding: 2px 5px;">30K</div> <div style="border: 1px solid black; border-radius: 50%; padding: 2px 5px;">35K</div> <div style="border: 1px solid black; border-radius: 50%; padding: 2px 5px;">40K</div> </div>
Efficacy	~85-100 lm/W
Power	20 W 38 W
Ambient Temperature Range	-10°C to 35°C
Mounting Adapter	Juno
Mounting Options	Track System Monopoint
Fixture Finish	Black White Silver
Distribution	Single Double Diffuser 



PRODUCT FEATURES



PRODUCT CERTIFICATIONS



SYSTEM WARRANTY – 5 YEARS

Eralux will warrant defective drivers, LEDs and boards for 5 years from the date of purchase. This warranty is valid only if the fixture is installed and used as per installation guides and specifications. If a defect is present, Eralux will send drivers and boards at no fee with a thorough replacement instructions along with instructions on the return of the defective parts back to Eralux.

LUMEN MAINTENANCE – L85 at 50,000 hours

Rated for 85% initial lumen output at 50,000 hours of operation, operated at 25°C ambient temperature; per guidelines published by the Illuminating Engineering Society (IES).

TRACK LED LIGHT

Linear Track Head | 1.2" Aperture | Wall Wash



ORDERING GUIDE

AE-TL-AS		12		P		J1	
AE-TL-AS ERALUX Astro Line Track Head	A 2 FT 20 W 1990 lm B 4 FT 38 W 3780 lm @3000K CCT	12 120V AC	DA Double Asymmetrical SA Single Asymmetrical DF Diffuser	P Premium 90 CRI	30/35/40 CCT Switchable 3000/4000/5000K	J1 Juno	BK Black powder Coat WH White powder Coat SV Silver powder Coat

Fixture Family	Length	Input Voltage	Distribution	CRI	CCT	Adapter	Finish
----------------	--------	---------------	--------------	-----	-----	---------	--------



ORDERING GUIDE-ACCESSORIES

Ordered separately

AE-TL-AS ERALUX Astro Line Track Head	A-VISOR 2 FT Visor B-VISOR 4 FT Visor	-WH White power Coat -BK Black power Coat	T10016 Monopoint Mounting T10017 Duopoint Mounting
			BK Black WH White

Fixture Family	Optics	Finish
----------------	--------	--------

Mounting	Finish
----------	--------

ORDERING GUIDE- TRACK SYSTEM

Track system and components are ordered with the track head if needed.

Refer to the links below for more information

T1 ERALUX Track T1 Compatible with Juno system-1 circuit	-2 2ft track -4 4ft track -6 6ft track -8 8ft track -12 12ft track 0001 Mini I Connector 0002 T Connector 0003 L Connector 0004 X Connector 0015 End Feed	-BK Black Finish -WH White Finish		
---	--	--	--	--

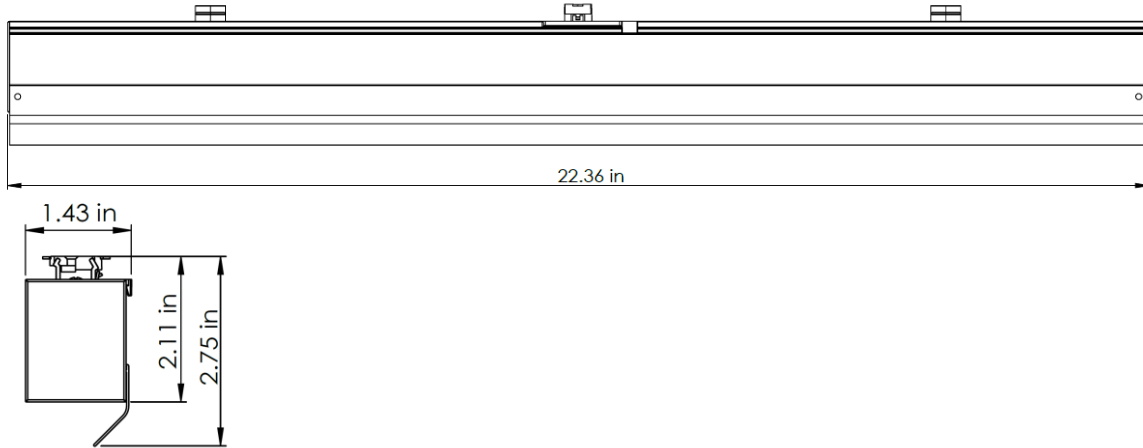
Track System	Components	Finish	PN	QTY
--------------	------------	--------	----	-----

TRACK LED LIGHT

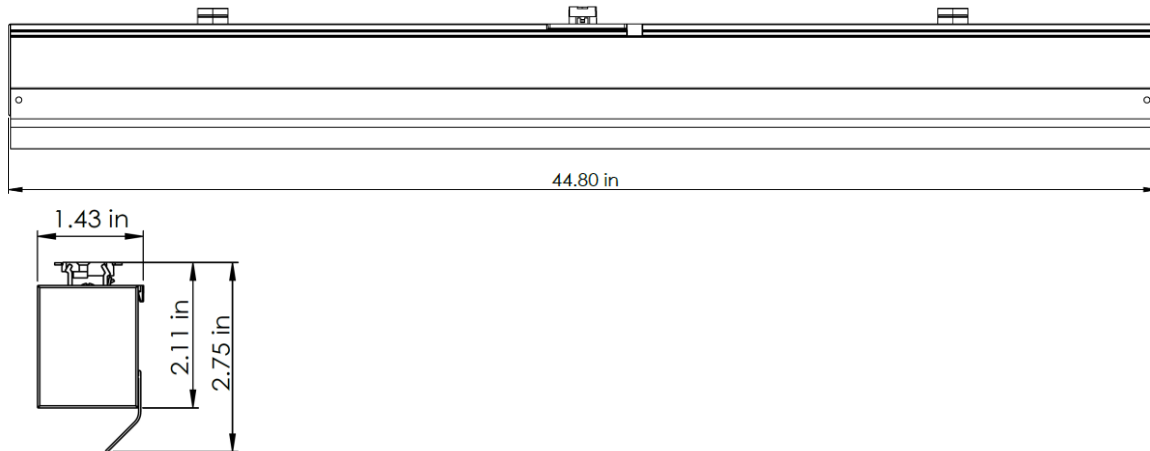
Linear Track Head | 1.2" Aperture | Wall Wash

DIMENSIONS

AE-TL-ASA12

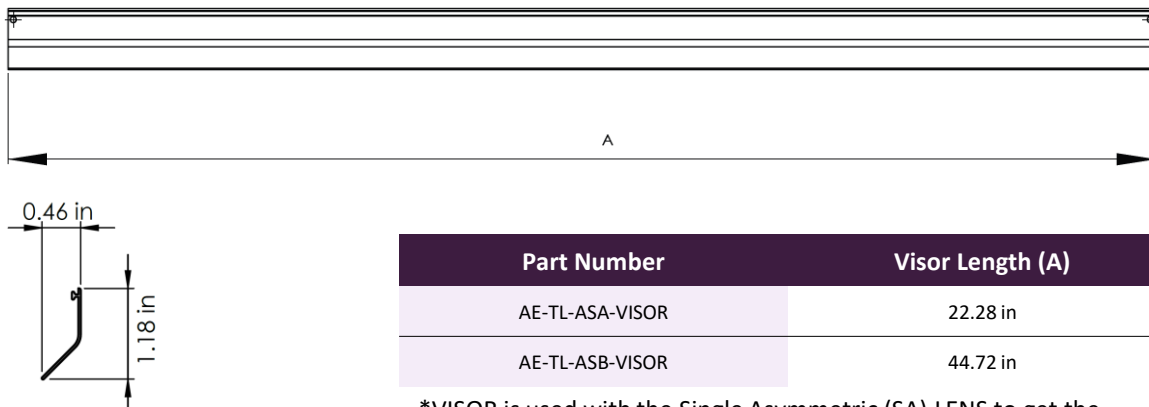


AE-TL-ASB12



VISOR

(Ordered Separately)



Part Number	Visor Length (A)
AE-TL-ASA-VISOR	22.28 in
AE-TL-ASB-VISOR	44.72 in

*VISOR is used with the Single Asymmetric (SA) LENS to get the most optimal result in a wall wash scenario.

TRACK LED LIGHT

Linear Track Head | 1.2" Aperture | Wall Wash

ACCESSORIES

OPTICAL

ORDERING CODE		DESCRIPTION	PICTURE
AE-TL-ASA-VISOR	-BK	Visor used for single asymmetric distribution to have an optimal wall wash fixture	
AE-TL-ASB-VISOR	-WH		

MOUNTING

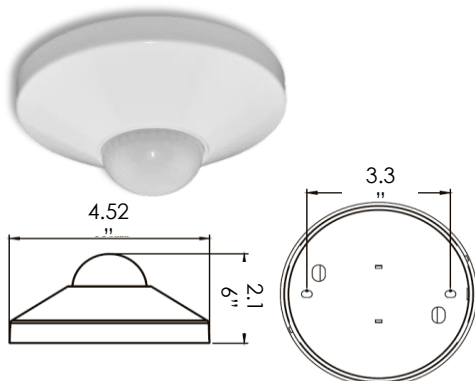
ORDERING CODE		DESCRIPTION	PICTURE
T10016	-WH	Monopoint adapter Surface / wall mount Compatible with Juno system 1 Track head can be installed.	
	-BK		
T10017	-WH	Duopoint adapter Surface / wall mount Compatible with Juno system. 2 Track heads can be installed.	
	-BK		

ROOM OCCUPANCY SENSOR

Ordered separately, field installed

PART NUMBER	DESCRIPTION
AE-CT-DT806	Detecta - Room Occupancy Sensor
RC102	RC102 Remote Control

SPECIFICATIONS		
Input Voltage	120-277 Vac	
Power Frequency	50/60HZ	
Rated Load	At 120 Vac	800W
	At 277 Vac	1200W
Detection Range	3-10 Meters	
	9.8-32.75 Feet	
Standby Power	~0.9W	
Time Setting	10 sec to 30 min	
Light Control	10-2,000LUX	
Installation	Ceiling Mounted	



LUMEN ESTIMATE

Lumen output varies based on CCT and CRI. An estimate of lumen output of the various CCT/CRI combinations, use correction factors as per table below:

LUMEN ESTIMATE ADJUSTMENT FACTORS

CCT	3000K	3500K	4000K
PREMIUM (90CRI)	0.86	0.93	0.93

PHOTOMETRIC DATA

PART NUMBER		ZONAL LUMEN SUMMARY			POLAR LUMINOUS INTENSITY	CONE DISTRIBUTION			
AE-TL-AE-TL-ASA12DAP30/35/40XX		Zone	Lumens	% Fixture	Direct Light	Center Beam Fc	Beam Width		
Wattage	38W	0-20°	388.63	14.2		1.7ft	220 fc	1.1 ft	2.9 ft
CCT	3000K	0-30°	814.53	29.8		3.3ft	58.3 fc	2.1 ft	5.6 ft
Distribution	Double	0-40°	1313.38	48.1		5.0ft	25.4 fc	3.1 ft	8.6 ft
		0-60°	2243.62	82.2		6.7ft	14.1 fc	4.2 ft	11.5 ft
		0-80°	2668.2	97.7		8.3ft	9.22 fc	5.2 ft	14.2 ft
		0-90°	2687.22	98.4		10.0ft	6.35 fc	6.3 ft	17.1 ft
						■ Vert. Spread: 34.8° ■ Horiz. Spread: 81.1°			

PART NUMBER		ZONAL LUMEN SUMMARY			POLAR LUMINOUS INTENSITY	CONE DISTRIBUTION			
AE-TL-AE-TL-ASA12DFP30/35/40XX		Zone	Lumens	% Fixture	Direct Light	Center Beam Fc	Beam Width		
Wattage	38W	0-20°	388.63	14.2		1.7ft	372 fc	4.1 ft	4.5 ft
CCT	3000K	0-30°	814.53	29.8		3.3ft	98.8 fc	8.0 ft	8.8 ft
Distribution	Diffuser	0-40°	1313.38	48.1		5.0ft	43 fc	12.1 ft	13.3 ft
		0-60°	2243.62	82.2		6.7ft	24 fc	16.2 ft	17.9 ft
		0-80°	2668.2	97.7		8.3ft	15.6 fc	20.0 ft	22.1 ft
		0-90°	2687.22	98.4		10.0ft	10.8 fc	24.1 ft	26.7 ft
						■ Vert. Spread: 100.7° ■ Horiz. Spread: 106.3°			

PART NUMBER		ZONAL LUMEN SUMMARY			POLAR LUMINOUS INTENSITY	CONE DISTRIBUTION			
AE-TL-AE-TL-ASA12SAP30/35/40XX		Zone	Lumens	% Fixture	Direct Light	Center Beam Fc	Beam Width		
Wattage	38W	0-20°	330.24	11.1		1.7ft	248 fc	1.5 ft	2.7 ft
CCT	3000K	0-30°	779.43	26.2		3.3ft	65.9 fc	2.9 ft	5.3 ft
Distribution	Single	0-40°	1331.83	44.9		5.0ft	28.7 fc	4.3 ft	8.0 ft
		0-60°	2390.73	80.5		6.7ft	16 fc	5.8 ft	10.7 ft
		0-80°	2903.54	97.8		8.3ft	10.4 fc	7.2 ft	13.3 ft
		0-90°	2924.78	98.5		10.0ft	7.18 fc	8.6 ft	16.0 ft
						■ Vert. Spread: 46.7° ■ Horiz. Spread: 77.3°			

OVERVIEW



Innovative Design

- Die cast aluminum housing for better heat dissipation.
- Improved design extends LED and driver lifespan.



Multiple Options

- Single, double or diffuser distributions
- 30/35/40K CCT switchable
- Black, white, and silver finishes.

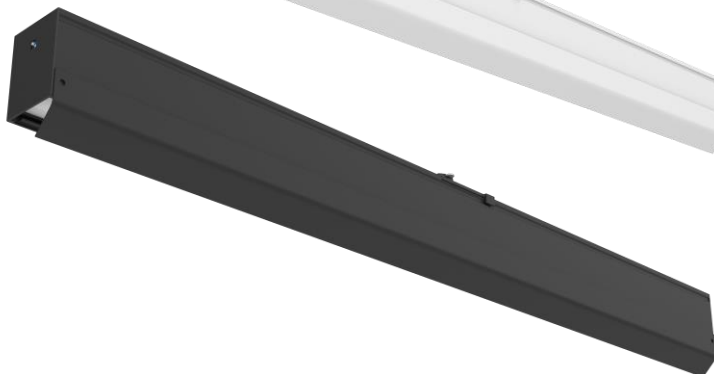


Mountings Available

- Available with Juno tracks only
- Surface mount with either monopoint or duopoint adapters.



Tests And Certifications



Accessories

- Visor to improve the lighting in a wall wash scenario