

TB SERIES

RECESSED LINEAR FIXTURES

Linear Architectural Lighting



The TB Series is the perfect solution for suspended T-Grid ceilings. Its sleek design offers an unlimited design options to your workspace and projects. This fixture can replace selected cross tees of the suspended grid ceiling where light is desired. Shapes such as "L", "T", "X" can easily be done. The TB series also distinguishes itself from its ease of installation that is toolless.

eralux®



DATE				
PROJECT NAME				
TYPE				
QTY				
ORDERING CODE	TB		DM	

OPERATING & ELECTRICAL

INPUT VOLTAGE	120V
POWER FACTOR	0.9
DIMMING	1-10V Dimming
TOTAL HARMONIC DISTORTION(THD)	<20%

PERFORMANCE

LEMENS PER WATT	9/16": 580 lm/ft, 5W/ft at 80 CRI
POWER CONSUMPTION	5W/ft
DISTRIBUTION	120° Beam angle

MECHANICAL & HOUSING

HOUSING	Aluminum housing
LENS	Polycarbonate
FINISH	Anodized Finish
POWER SUPPLY	Ordered separately
LED BOARD	Discrete LEDs

APPLICATION CONDITION

AMBIENT TEMPERATURE RANGE	-10 °C to 35°C
---------------------------	----------------

COMPATIBLE MOUNTING

MOUNTING	9/16" Flat
----------	------------

WARRANTY

SYSTEM WARRANTY – 5 YEARS

Eralux will warrant defective drivers, LEDs and boards for 5 years from the date of purchase. This warranty is valid only if the fixture is installed and used as per installation guides and specifications. If a defect is present, Eralux will send drivers and boards at no fee with a thorough replacement instructions along with instructions on the return of the defective parts back to Eralux.

LUMEN MAINTENANCE – L85 at 50,000 hours

Rated for 85% initial lumen output at 50,000 hours of operation, operated at 25°C ambient temperature; per guidelines published by the Illuminating Engineering Society (IES)

TB SERIES

RECESSED LINEAR FIXTURES

Linear Architectural Lighting

DATE				
PROJECT NAME				
TYPE				
QTY				
ORDERING CODE	TB		DM	

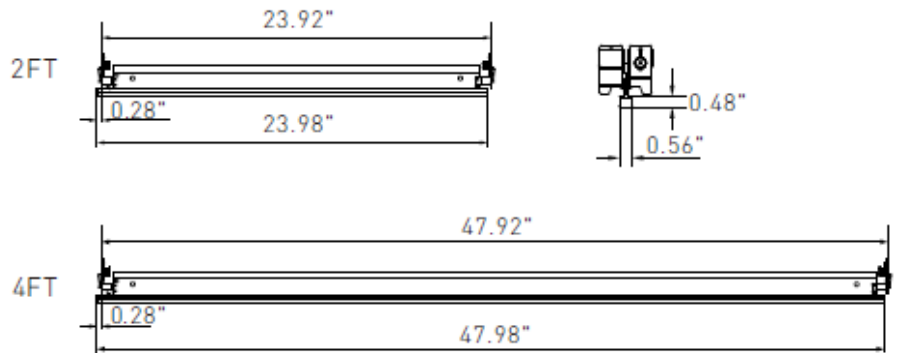
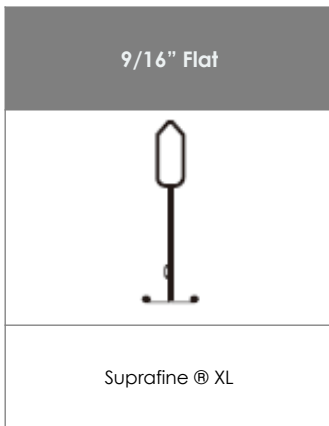
ORDERING GUIDE

EXAMPLE: AE-SF-TB2DM35F

FIXTURE FAMILY	LENGTH	DIMMING	CCT	GRID TYPE
TB		DM		
TB ERALUX TB Series linear architectural fixture	2 2 Feet 10 Watts	DM 1-10V Dimming	35 3500K CCT	F 9/16" Flat – Custom pattern.
	4 4 Feet 20 Watts			

CAUTION: If there are multiple fixtures connected to the same 0-10V dimming line, a 0-10V controller must be considered to enable consistent dimming across the fixtures. Failure to do so will lead to inconsistent dimming and behaviors in the fixtures. Single switch is not recommended for controlling multiple fixtures simultaneously.

T-GRIDS CEILING COMPATIBILITY



REMOTE LED DRIVER

Ordered separately

REMOTE LED DRIVER	ORDERING CODE	
30W Remote driver	TB2-DRIVER	1 driver per 3 units of 2' LED lights
60W Remote driver	TB4-DRIVER	1 driver per 3 units of 4' LED lights

*For easy installation and safe wiring: the Max. distance from fixtures to power supply is 8 feet with 24 AWG wire with RJ45 terminal.

TB SERIES

RECESSED LINEAR FIXTURES

Linear Architectural Lighting

DATE				
PROJECT NAME				
TYPE				
QTY				
ORDERING CODE	TB		DM	

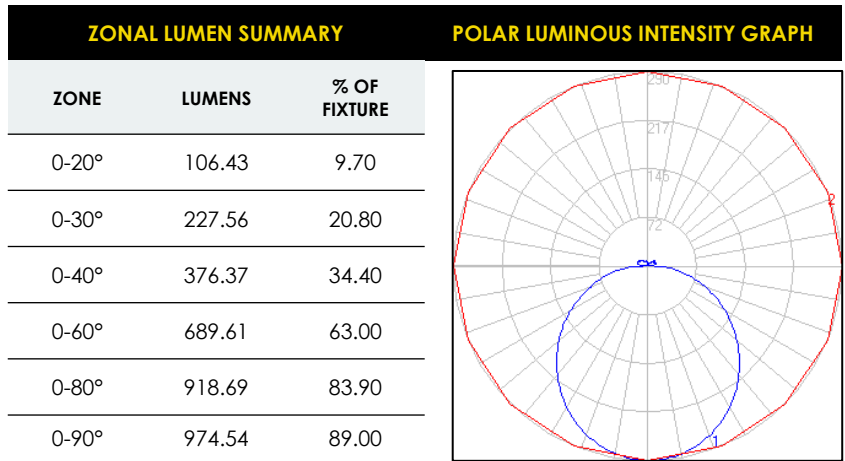
LUMEN ESTIMATE

Lumen output varies based on CCT and CRI. An estimate of lumen output of the various CCT/CRI combinations, use correction factors as per table below:

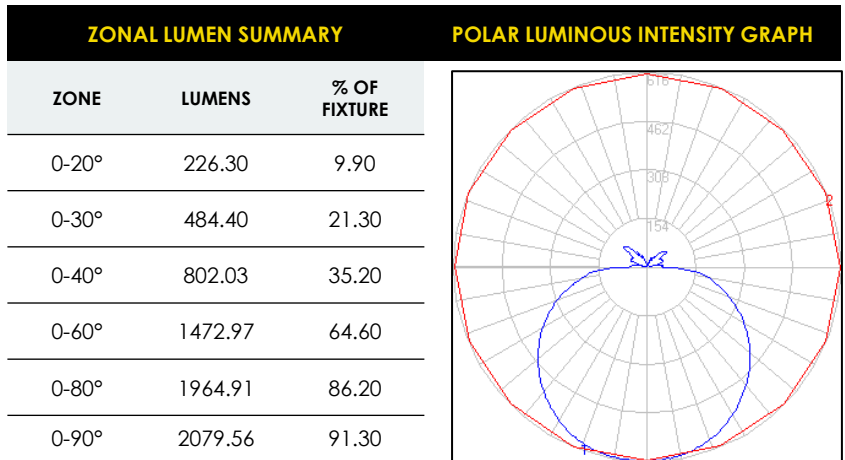
LUMEN ESTIMATE ADJUSTMENT FACTORS				
CCT	3000K	3500K	4000K	5000K
PREMIUM (90CRI)	1	1.03	1.06	1.09

PHOTOMETRIC DATA

AE-SF-TB2DM35F
 2 Feet
 9/16" Flat
 3500K CCT



AE-SF-TB4DM35F
 4 Feet
 9/16" Flat
 3500K CCT

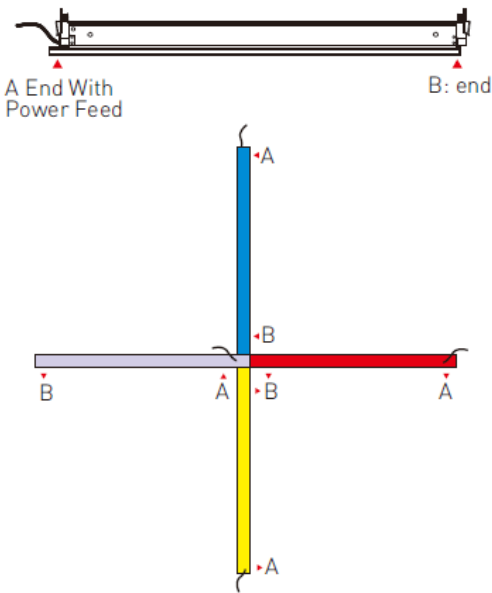


TB SERIES

RECESSED LINEAR FIXTURES
Linear Architectural Lighting

DATE				
PROJECT NAME				
TYPE				
QTY				
ORDERING CODE	TB		DM	

OVERVIEW



Remark: Only one A-end with wire in joint

MOUNTING METHOD

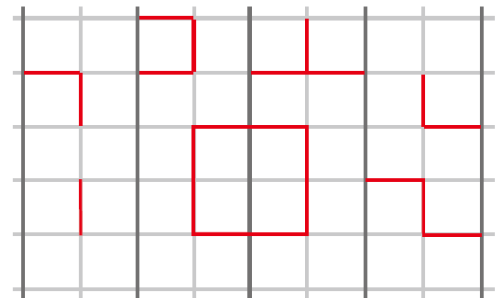
The TB Series is an innovative solution that can be integrated into T-Grid Suspended ceilings. Compatible with 9/16" flat.

CUSTOMIZATION

The TB Series can be installed in an unlimited number of configurations by replacing any of the cross tee between the main runners of the grid ceiling assembly. Custom patterns using shapes such as "L", "T" and "X" can easily be done.

EASE OF INSTALLATION

The installation of the TB series is tool-free and done with ease.



- Examples of configurations
- Possible positions for T-grid LED light modules
- One-piece main runner cannot be replaced