

# ATLANTIS

## GYPSUM LINEAR FIXTURES

Linear Architectural Lighting



eralux®



The Atlantis Series is a recessed linear that provides an elegant appearance in any indoor commercial office. The exposed driver and the removable lens makes the installation simple and intuitive. This series has been designed to be mounted into gypsum ceilings or walls.

DATE	
PROJECT NAME	
<b>TYPE</b>	
QTY	
ORDERING CODE	AE-SF-ATL

### OPERATING & ELECTRICAL

INPUT VOLTAGE	120-277 V
POWER FACTOR	0.9
DIMMING	0-10V
TOTAL HARMONIC DISTORTION (THD)	<20%

### PERFORMANCE

LUMENS PER WATT	85-89 LPW @85CRI
POWER	32W 40W 46W 62W
DISTRIBUTION	Lambertian

### MECHANICAL & HOUSING

HOUSING	Extruded aluminum
LENS	Highly durable frosted polycarbonate and high transmittance lens
FINISH	White, Black, Silver
POWER SUPPLY	Factory wired electronic LED driver
LED BOARD	Discrete LED

### APPLICATION CONDITION

AMBIENT TEMPERATURE RANGE	-10°C to 40°C
---------------------------	---------------

### COMPATIBLE MOUNTING

MOUNTING	Recessed (Non-IC rated)
----------	-------------------------

### WARRANTY

#### SYSTEM WARRANTY – 5 YEARS

Eralux will warrant defective drivers, LEDs and boards for 5 years from the date of purchase. This warranty is valid only if the fixture is installed and used as per installation guides and specifications. If a defect is present, Eralux will send drivers and boards at no fee with a thorough replacement instructions along with instructions on the return of the defective parts back to Eralux.

#### LUMEN MAINTENANCE – L85 at 50,000 hours

Rated for 85% initial lumen output at 50,000 hours of operation, operated at 25°C ambient temperature; per guidelines published by the Illuminating Engineering Society (IES).

DATE				
PROJECT NAME				
<b>TYPE</b>				
QTY				
ORDERING CODE	AE-SF-ATL			

## ORDERING GUIDE

EXAMPLE: AE-SF-ATL35432WH

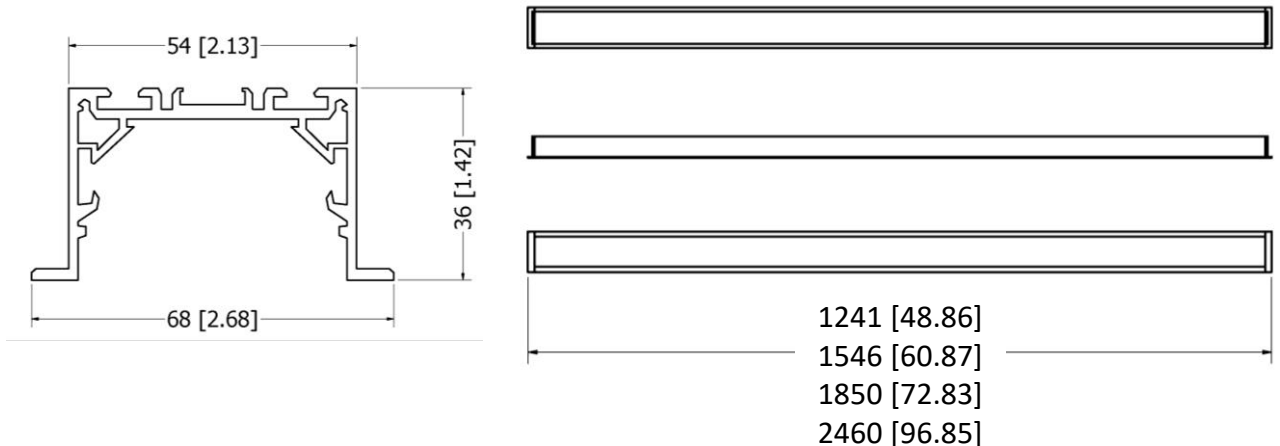
FIXTURE FAMILY	CCT	LENGTH	POWER	FINISH
<b>AE-SF-ATL</b>				
<b>AE-SF-ATL</b> ERALUX Atlantis linear architectural fixture – 120-277V	<b>30</b> 3000K	<b>4</b> 4 feet length	<b>32</b> 32 watts: 2720 lumens	<b>WH</b> White Finish
	<b>35</b> 3500K	<b>5</b> 5 feet length	<b>40</b> 40 watts: 3400 lumens	<b>BK</b> Black Finish
	<b>40</b> 4000K	<b>6</b> 6 feet length	<b>46</b> 46 watts: 4080 lumens	<b>SV</b> Silver Finish
		<b>8</b> 8 feet length		

FIXTURE FAMILY	CCT	SHAPE	POWER	FINISH
<b>AE-SF-ATL</b>				
<b>AE-SF-ATL</b> ERALUX Atlantis linear architectural fixture – 120-277V	<b>30</b> 3000K	<b>90L</b> L Shape	<b>32</b> 32 watts: 2720 lumens	<b>WH</b> White Finish
	<b>35</b> 3500K	<b>90N</b> Inner L Shape	<b>32</b> 32 watts: 2720 lumens	<b>BK</b> Black Finish
		<b>90W</b> Outer L Shape	<b>32</b> 32 watts: 2720 lumens	
	<b>40</b> 4000K	<b>T</b> T Shape	<b>46</b> 46 watts: 4080 lumens	<b>SV</b> Silver Finish
		<b>X</b> X Shape	<b>62</b> 62 watts: 5440 lumens	

CAUTION: If there are multiple fixtures connected to the same 0-10V dimming line, a 0-10V controller must be considered to enable consistent dimming across the fixtures. Failure to do so will lead to inconsistent dimming and behaviors in the fixtures. Single switch is not recommended for controlling multiple fixtures simultaneously.

## PRODUCT DIMENSIONS (in mm)

AE-SF-ATLXXXXWH



DATE	
PROJECT NAME	
<b>TYPE</b>	
QTY	
ORDERING CODE	AE-SF-ATL

## ACCESSORIES

Ordered separately, field installed

### EMERGENCY LED DRIVER (BLD-YTXXD-XXX)

BLD-YT08D-XXX

BLD-YT15D-XXX

OUTPUT POWER : 8 WATTS

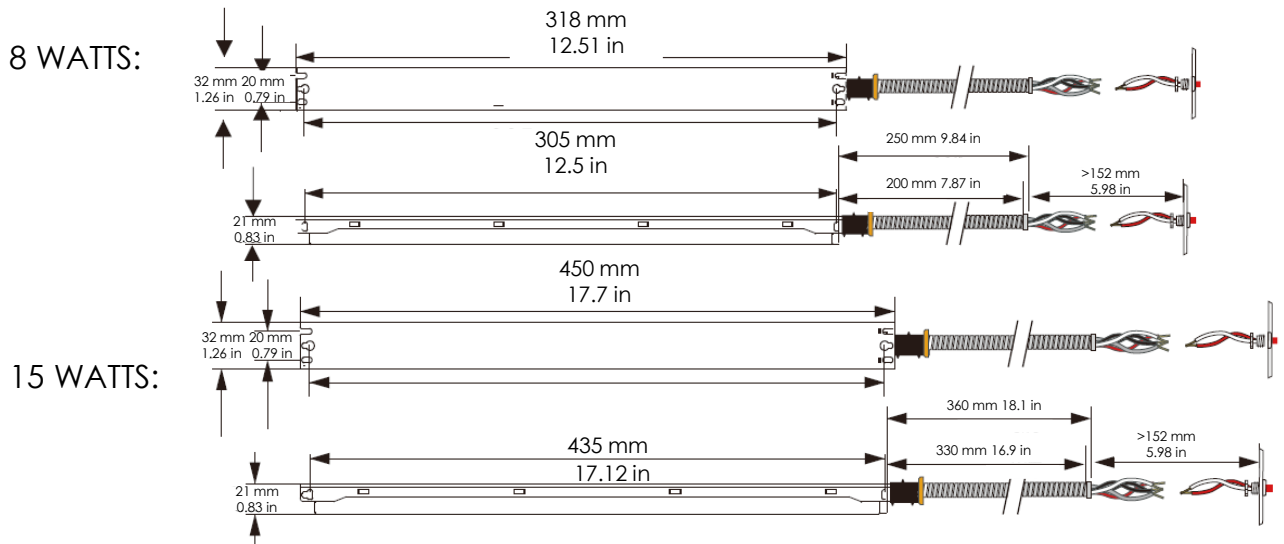
OUTPUT POWER : 15 WATTS



- Easy Wiring
- Certified For CA Title 20
- Constant Power Performance

BLD-YTXXD-XXX LED Emergency Driver is UL listed for field and factory installation that allows the same LED fixture to be used for both normal and emergency operation. In the event of a power failure, the emergency driver switches to emergency mode and operates the fixture for 90 minutes. This module will operate a LED array load at 8W or 15W with constant power at a rated output voltage of 30-60 VDC. The constant power design of BLD-YTXXD-XXX maintains the output wattage to the LED array, providing consistent illumination for the entire emergency runtime. Its slim shape is ideal for use in linear LED lighting fixtures.

## DIMENSIONS (inches and mm)

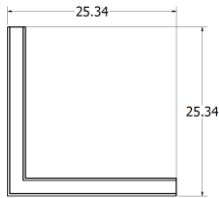


DATE				
PROJECT NAME				
<b>TYPE</b>				
QTY				
ORDERING CODE	AE-SF-ATL			

## VARIOUS SHAPES

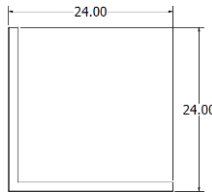
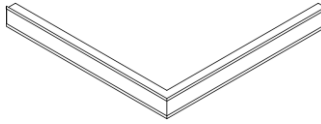
### L SHAPE

AE-SF-ATLXX90L32XX



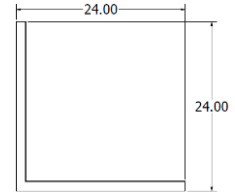
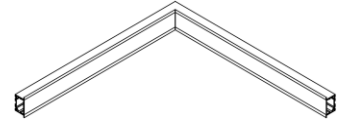
### OUTER CORNER L

AE-SF-ATLXX90W32XX



### INNER CORNER L

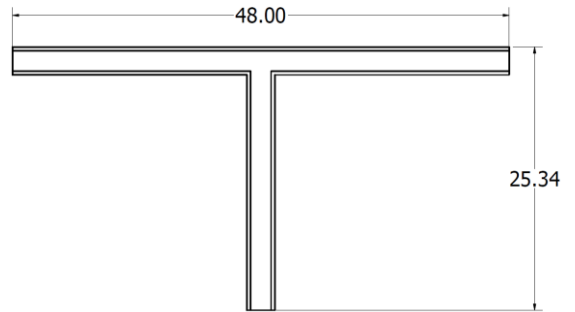
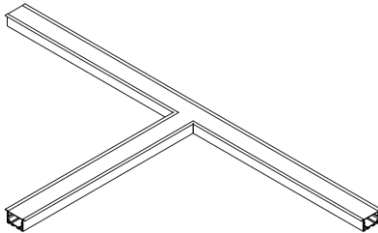
AE-SF-ATLXX90N32XX



DIMENSIONS IN INCHES

### T SHAPE

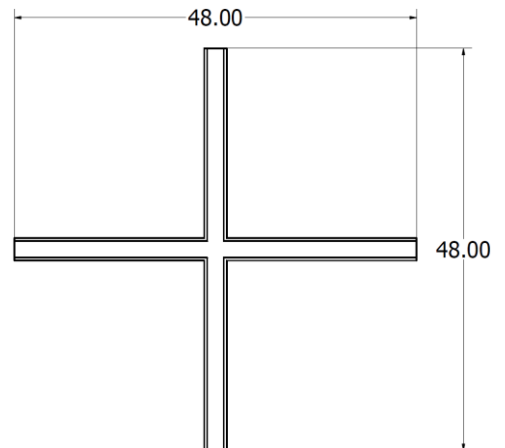
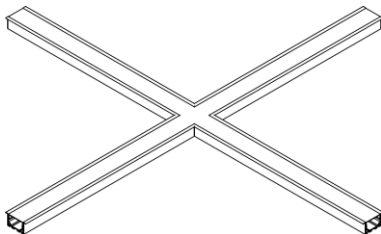
AE-SF-ATLXXT46XX



DIMENSIONS IN INCHES

### X SHAPE

AE-SF-ATLXXX62XX



DIMENSIONS IN INCHES

# ATLANTIS

GYPSUM LINEAR FIXTURES

Linear Architectural Lighting

DATE				
PROJECT NAME				
<b>TYPE</b>				
QTY				
ORDERING CODE	AE-SF-ATL			

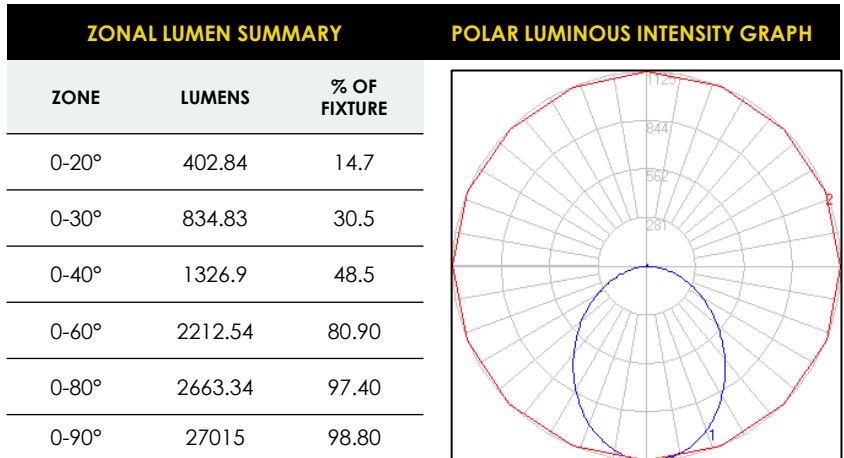
## LUMEN ESTIMATE

Lumen output varies based on CCT and CRI. An estimate of lumen output of the various CCT/CRI combinations, use correction factors as per table below:

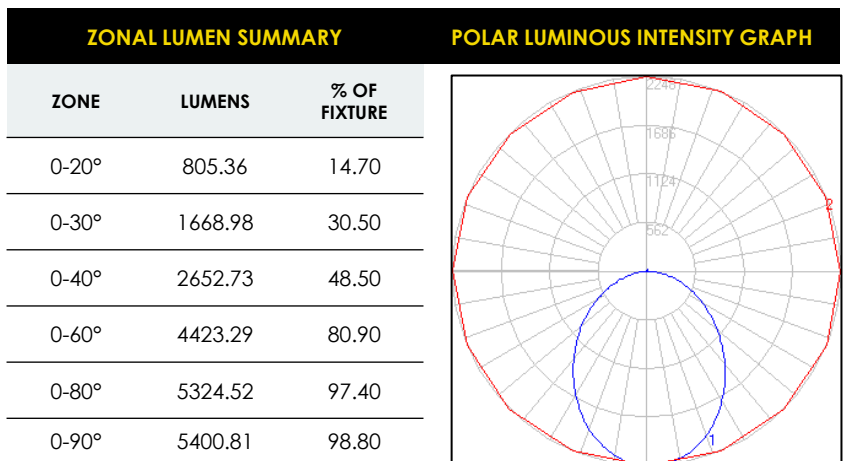
LUMEN ESTIMATE ADJUSTMENT FACTORS				
CCT	2700K	3000K	3500K	4000K
PREMIUM (80CRI)	0.91	0.94	0.97	1

## PHOTOMETRIC DATA

AE-SF-ATL40432WH  
4 FEET  
32 WATTS



AE-SF-ATL40432WH  
4 FEET  
62 WATTS



DATE				
PROJECT NAME				
<b>TYPE</b>				
QTY				
ORDERING CODE	AE-SF-ATL			

## OVERVIEW

### EASE OF ACCESS TO DRIVER

Outer Driver making the installation and assembly process quick and easy.

### N-SHAPE RECESSED CLIP

Strong N-shape recessed clip replacing spring clip allowing recessed to not only ceiling but vertical wall without sliding nor falling. The unique design of the clip shape simplify the installation process.

### ELEGANT WHITE FINISH

Uniformed nebula white finish provides a simple and elegant appearance making any indoor project superior.

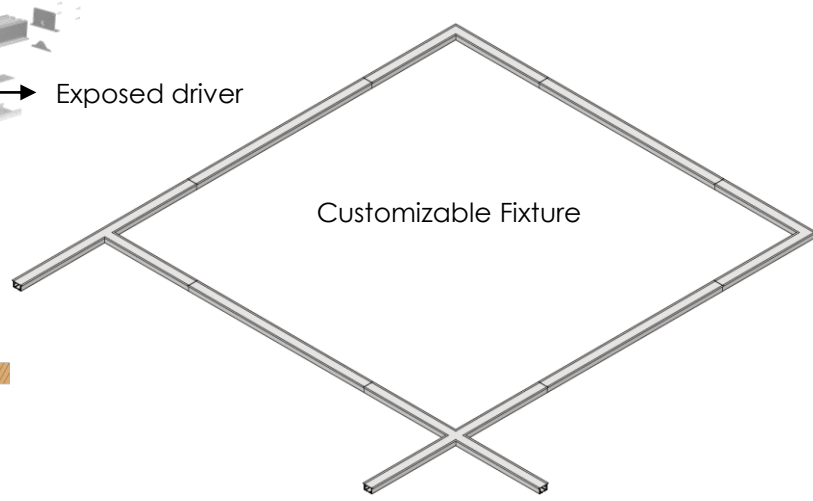
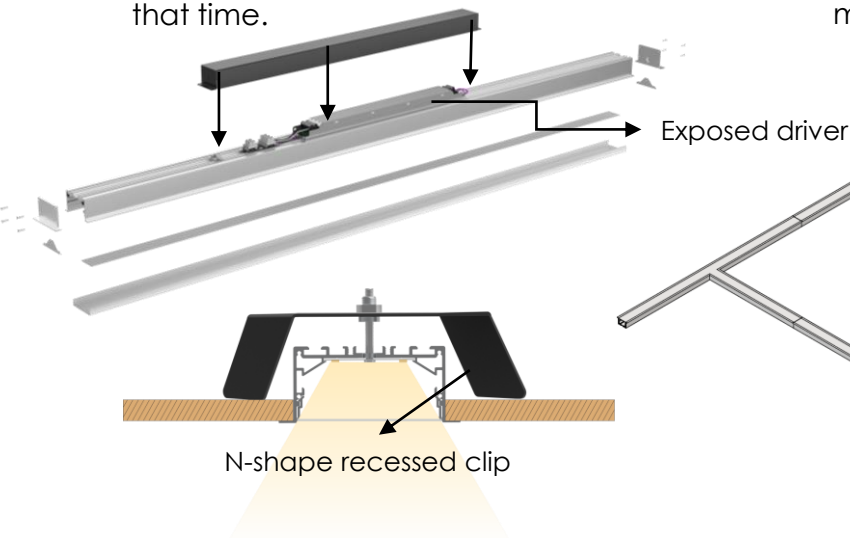
### UGR<19

Unified Glare Rating of 19 or less makes Atlantis a perfect lighting option in office spaces where workers need to spend many hours a day and would be using display terminals for a large proportion of that time.



### SPACE-SAVING FLAT SHAPE

Flat fixture body saves space for installation, make the linear fixture more flexible for various purpose.



# ATLANTIS

GYPSUM LINEAR FIXTURES

Linear Architectural Lighting

DATE	
PROJECT NAME	
<b>TYPE</b>	
QTY	
ORDERING CODE	AE-SF-ATL

**Draw your custom shape!**

**1 square = 1ft**

