

BROMO

OUTDOOR LED LIGHT

Architectural Full Cut-Off Wall Pack | Power & CCT Switchable

The Bromo outdoor light features a durable aluminum die-cast housing with heat-dissipating fins, CCT switchable (30K/40K/50K), and power switchable (120-347V). Available in black, white, and bronze, it includes a photocell, emergency battery backup, and a pre-installed AUX base for a motion sensor. Protected against dust, water jets, and impact for long-lasting outdoor use.

Applications: Garage door | Building contour | Man door

eralux®

	DATE	QTY	TYPE
PROJECT			
PN			
NOTES			




DYNAMIC MENU

Order Information	Page 2
Dimensions	Page 2
Accessories	Page 3
Photometric Data	Page 4

[Install Instruction link](#)

SPECIFICATIONS

Input Voltage	120-347V
Power Factor	>0.9
Total Harmonic Distortion	<20%
Dimming Page 5	0-10V dimming
CRI	80 CRI
CCT	<div style="display: flex; gap: 10px;"> <div style="border: 1px solid black; border-radius: 50%; width: 20px; height: 20px; background-color: #fff9c4; display: flex; align-items: center; justify-content: center;">30K</div> <div style="border: 1px solid black; border-radius: 50%; width: 20px; height: 20px; background-color: #e0e0e0; display: flex; align-items: center; justify-content: center;">40K</div> <div style="border: 1px solid black; border-radius: 50%; width: 20px; height: 20px; background-color: #e0e0e0; display: flex; align-items: center; justify-content: center;">50K</div> </div>
Efficacy	~130 lm/W
Power (W)	40/28/15W
Ambient Temperature Range	-40°C to 50°C
Mounting Options	Wall Mount
Fixture Finish	Black White Bronze 
Controls	Integrated Photocell Emergency Battery Back up Motion Sensor
Protection	IP65; water and dust resistance IK08; impact resistance
Surge Protector	4KVA
Lens	Polycarbonate lens
Distribution	90°



PRODUCT FEATURES



PRODUCT CERTIFICATIONS



SYSTEM WARRANTY – 5 YEARS

Eralux will warrant defective drivers, LEDs and boards for 5 years from the date of purchase. This warranty is valid only if the fixture is installed and used as per installation guides and specifications. If a defect is present, Eralux will send drivers and boards at no fee with a thorough replacement instructions along with instructions on the return of the defective parts back to Eralux.

LUMEN MAINTENANCE – L70 at 50,000 hours

Rated for 70% initial lumen output at 50,000 hours of operation, operated at 25°C ambient temperature; per guidelines published by the Illuminating Engineering Society (IES).

OUTDOOR LED LIGHT

Architectural Full Cut-Off Wall Pack | Power & CCT Switchable

ORDERING GUIDE

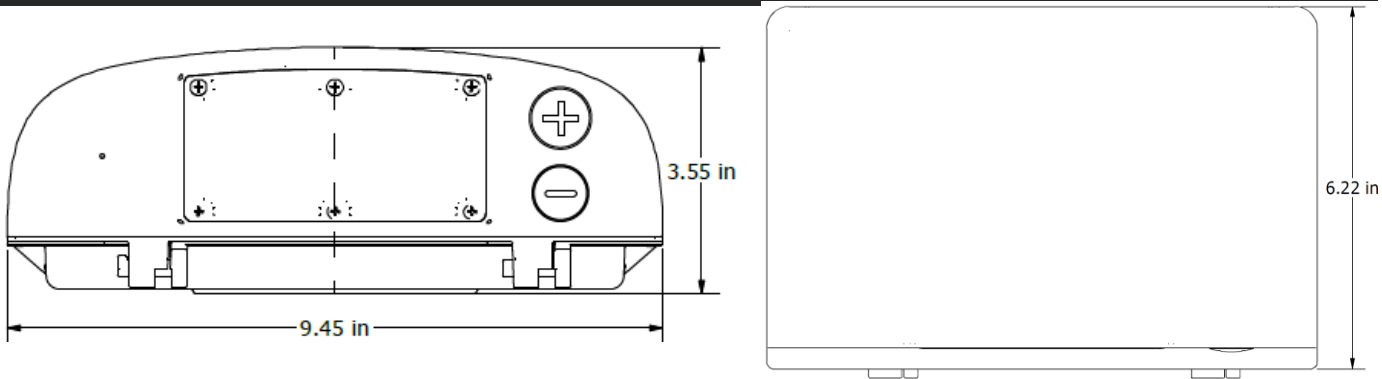
AE-WP-BR	-40W	-TCP	-CA		
AE-WP-BR ERALUX BROMO Outdoor Wall pack Light	-40W 15/28/40W 1,650/3,640/5,200lm	-TCP CCT Selectable 3000/4000/5000K	-CA 120-347 VAC Input voltage	-D 0-10V Dimming	-BK Black -BZ Bronze -WH White
				-EM Emergency Battery Back up	
				-MS Motion Sensor	
Fixture Family	Power	CCT	Input Voltage	Control	Finish

NOTES

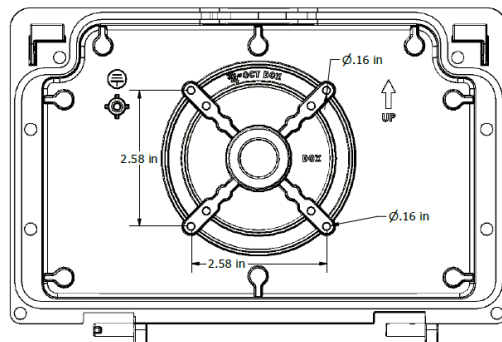
- Emergency Battery Backup is integrated in the fixture.
- Emergency Battery Backup has 8W power output
- BROMO has integrated photocell that can be tuned on/off on field upon desire

DIMENSIONS

AE-WP-BR-40W-TCP-CA-X-XX



BACK PLATE INSTALLATION



OUTDOOR LED LIGHT

Architectural Full Cut-Off Wall Pack | Power & CCT Switchable

ACCESSORIES

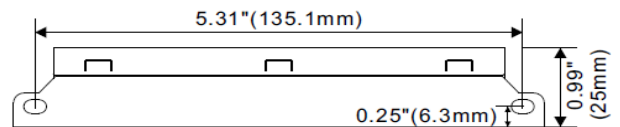
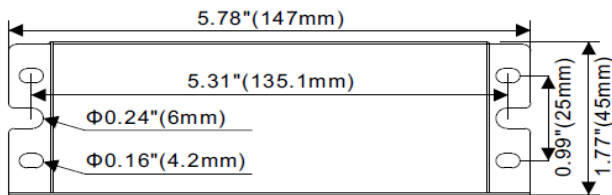
EMERGENCY LED DRIVER



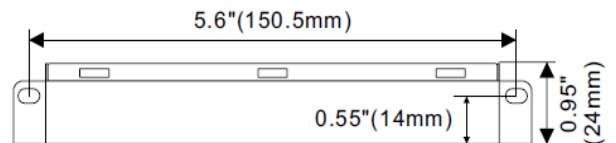
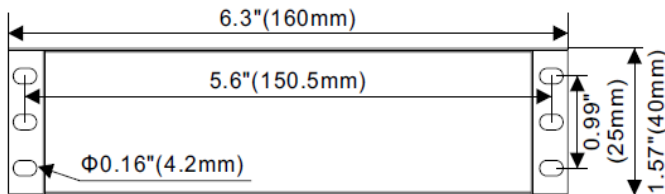
SPECIFICATION	
Input Voltage	100-347Vac
Input Current	100mA max
Recharge Time	24Hrs
Discharge Time	1.5H
Output Power	8W
Installation	Integrated

Introducing a UL-listed emergency lighting solution for the US and Canada, featuring high output voltage, self-testing, and overcharge/discharge protection. Compliant with UL924 and CSA C22.2 NO.141, it's suitable for field or factory installation and integrates seamlessly with LED drivers. With low energy consumption and Title20 compliance, it offers 8W emergency power options, a quick 24-hour recharge time, and 1.5-hour discharge time.

DRIVER DIMENSIONS



BATTERY DIMENSIONS



OUTDOOR LED LIGHT

Architectural Full Cut-Off Wall Pack | Power & CCT Switchable

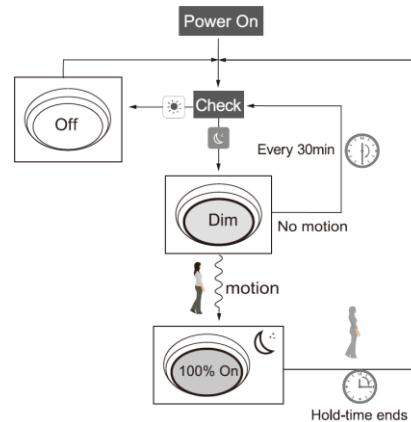
ACCESSORIES

MOTION SENSOR

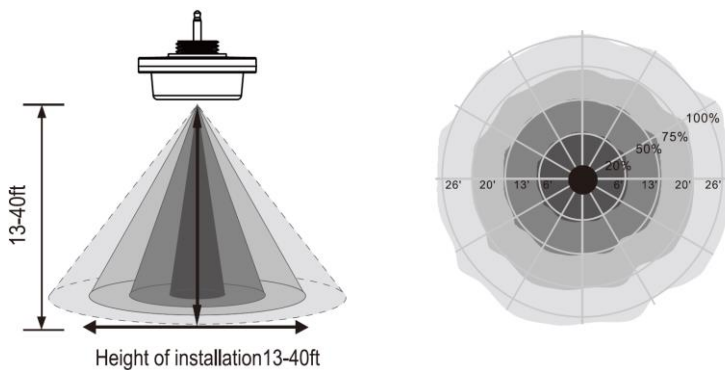
CODE	DESCRIPTION	PICTURE
AE-IL-SB2-CA-MOTIONSENSOR	Plug in low-voltage microwave motion sensor	
AE-IL-SB2-CA-REMOTE-CTRL	Remote control for the motion sensor	

Factory mode

Factory Default Setting	
Sensitivity	100%
Hold on time	5 min
Daylight Sensor	ON
Dimming level	30%
Dimming time	30 min



Area Coverage



OUTDOOR LED LIGHT

Architectural Full Cut-Off Wall Pack | Power & CCT Switchable

PHOTOMETRIC DATA

PART NUMBER		ZONAL LUMEN SUMMARY			POLAR LUMINOUS INTENSITY
AE-WP-BR-4OW-TCP-CA-XX-X		Zone	Lumens	% Fixture	
Wattage	15W	0-20°	342.25	15.3	
CCT	4000K	0-30°	722.77	32.3	
Lumens	1,650 lm	0-40°	1146.31	51.2	
CRI	80	0-60°	1853.66	82.8	
		0-80°	2203.93	98.5	
		0-90°	2238.55	100	

CONE DISTRIBUTION			ISO FOOTCANDLE PLOT	
Center Beam Fc	Beam Width		Distances are in units of mounting height 15ft	
2.5ft	150 fc	4.5 ft	6.1 ft	
5.0ft	37.5 fc	9.1 ft	12.3 ft	
7.5ft	16.7 fc	13.6 ft	18.4 ft	
10.0ft	9.37 fc	18.2 ft	24.5 ft	
12.5ft	6 fc	22.7 ft	30.7 ft	
15.0ft	4.17 fc	27.2 ft	36.8 ft	
■ Vert. Spread: 84.5° ■ Horiz. Spread: 101.6°				

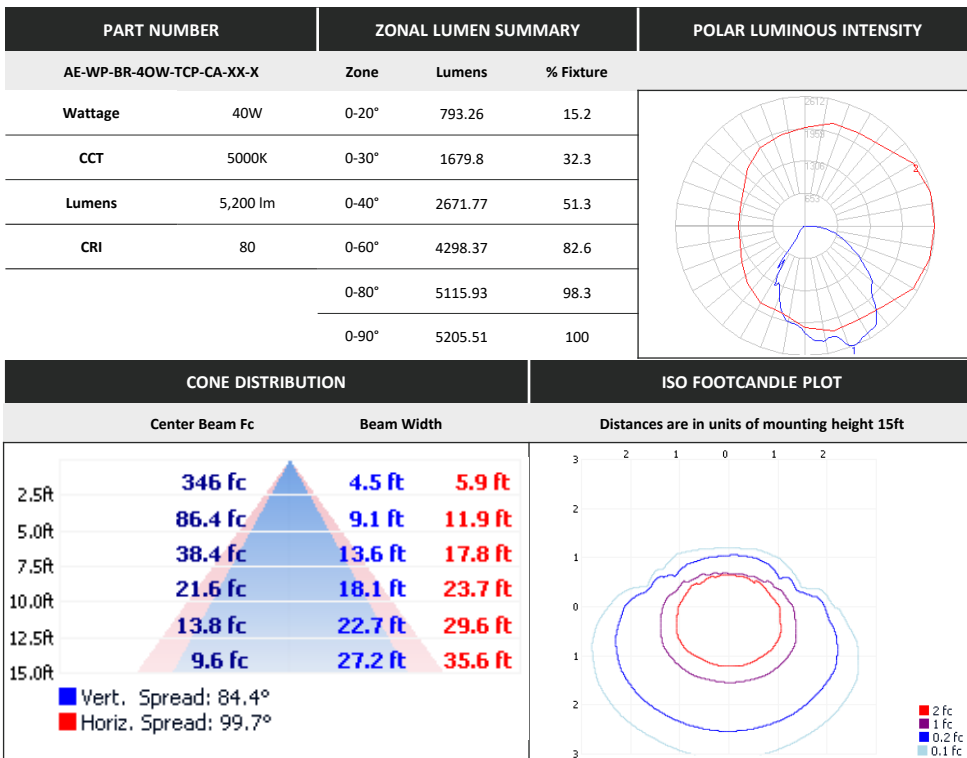
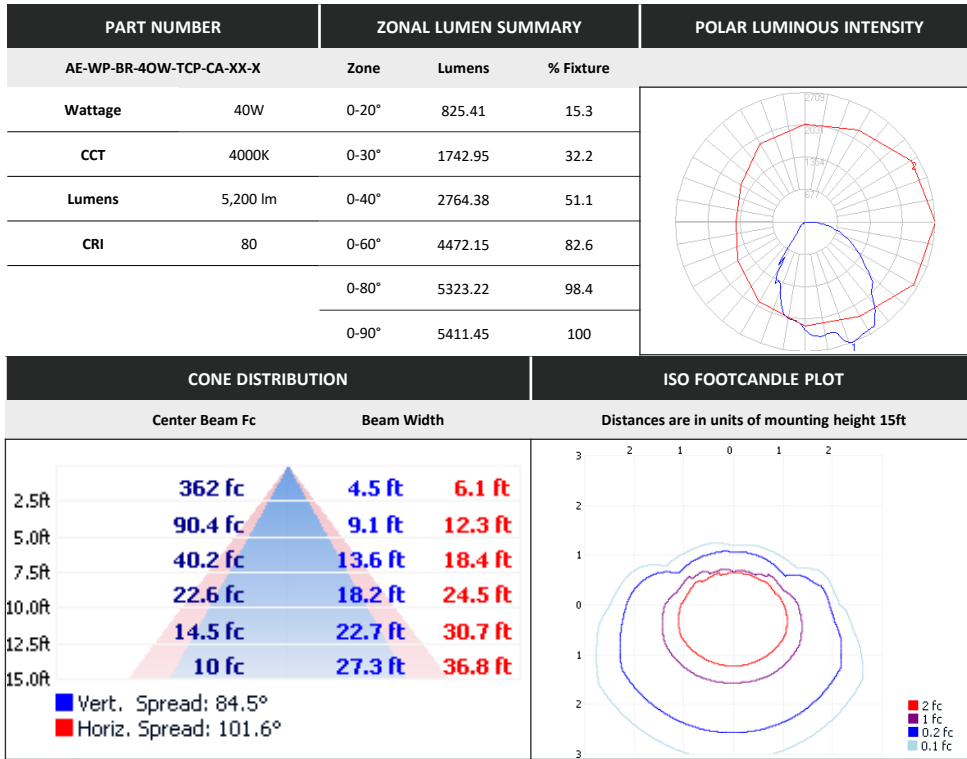
PART NUMBER		ZONAL LUMEN SUMMARY			POLAR LUMINOUS INTENSITY
AE-WP-BR-4OW-TCP-CA-XX-X		Zone	Lumens	% Fixture	
Wattage	28W	0-20°	602.36	15.3	
CCT	4000K	0-30°	1271.94	32.3	
Lumens	3,640 lm	0-40°	2017.33	51.2	
CRI	80	0-60°	3261.39	82.8	
		0-80°	3876.81	98.5	
		0-90°	3937.38	100	

CONE DISTRIBUTION			ISO FOOTCANDLE PLOT	
Center Beam Fc	Beam Width		Distances are in units of mounting height 15ft	
2.5ft	264 fc	4.5 ft	6.1 ft	
5.0ft	66 fc	9.1 ft	12.3 ft	
7.5ft	29.3 fc	13.6 ft	18.4 ft	
10.0ft	16.5 fc	18.1 ft	24.6 ft	
12.5ft	10.6 fc	22.7 ft	30.7 ft	
15.0ft	7.33 fc	27.2 ft	36.8 ft	
■ Vert. Spread: 84.4° ■ Horiz. Spread: 101.7°				

OUTDOOR LED LIGHT

Architectural Full Cut-Off Wall Pack | Power & CCT Switchable

PHOTOMETRIC DATA



OUTDOOR LED LIGHT

Architectural Full Cut-Off Wall Pack | Power & CCT Switchable

OVERVIEW



Innovative Design

- Aluminum die cast housing and fins for better heat dissipation



Multiple Options

- CCT Switchable ; 30/40/50K
- Black, white & bronze finish
- Power Switchable



Protection

- Protected against dust ingress.
- Protected against water jets
- Impact resistant



Accessories

- Integrated photocell
- Integrated Emergency Battery Back up
- Plug in Motion sensor



Emergency backup battery



Integrated Photocell



Motion Sensor



Tests And Certifications

