

CHANDRA MAX

eralux[®]

TRACK LED LIGHT

Cylinder Track Head | 3" Aperture | 7.9" Length

The CHANDRA MAX is a big cylinder track head with high lumen output around 3740 lm featuring a variety of bezel and fixture finishes making it an attractive addition. It delivers high brightness and allows for easy customization with accessories and optic options. With straight forward installation, adjustments to the lighting can be made quickly and effortlessly on field.

Applications: Art Galleries | Show Rooms | Retail Stores | Hospitality.

DATE	QTY	ACC. QTY	TYPE
PROJECT			
PN			
ACCESSORY PN			
NOTES			



DYNAMIC MENU

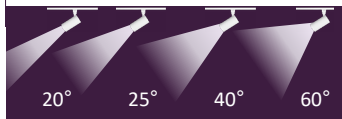
Order Information	Page 2
Dimensions	Page 3
Accessories	Page 4
Photometric Data	Page 6

[Install Instruction link](#)

SPECIFICATIONS

Input Voltage	120-277V
Power Factor	>0.9
Total Harmonic Distortion	<20%
Dimming Page 5	TRIAC dimming
CRI	90 CRI
CCT	<div style="display: flex; gap: 10px;"> <div style="border: 1px solid black; border-radius: 50%; width: 20px; height: 20px; background-color: #fff9c4; display: flex; align-items: center; justify-content: center;">27K</div> <div style="border: 1px solid black; border-radius: 50%; width: 20px; height: 20px; background-color: #fff176; display: flex; align-items: center; justify-content: center;">30K</div> <div style="border: 1px solid black; border-radius: 50%; width: 20px; height: 20px; background-color: #e0e0e0; display: flex; align-items: center; justify-content: center;">35K</div> <div style="border: 1px solid black; border-radius: 50%; width: 20px; height: 20px; background-color: #bbdefb; display: flex; align-items: center; justify-content: center;">40K</div> </div>
Efficacy	~86lm
Power	41W
Ambient Temperature Range	-10°C to 35°C
Mounting Adapter	Juno Global Halo Lightolier
Mounting Options	Track System Monopoint
Fixture Finish	Black White Silver
Bezel Finish	Black Bronze Gold
Optical Accessories	Hexcel Snoot

Distribution



PRODUCT CERTIFICATIONS



SYSTEM WARRANTY – 5 YEARS

Eralux will warrant defective drivers, LEDs and boards for 5 years from the date of purchase. This warranty is valid only if the fixture is installed and used as per installation guides and specifications. If a defect is present, Eralux will send drivers and boards at no fee with a thorough replacement instructions along with instructions on the return of the defective parts back to Eralux.

LUMEN MAINTENANCE – L70 at 50,000 hours

Rated for 70% initial lumen output at 50,000 hours of operation, operated at 25°C ambient temperature; per guidelines published by the Illuminating Engineering Society (IES).

TRACK LED LIGHT

Cylinder Track Head | 3" Aperture | 7.9" Length



ORDERING GUIDE

AE-TL-CDX-12	-XXW		P				
AE-TL-CDX-12 ERALUX Chandra MAX Track Head	XXW¹ 41 W 3740 Lm	NF Narrow Flood 20° FL Flood 25° WF Wide Flood 40° VF Very Wide Flood 60°	P Premium 90 CRI	27 2700K 30 3000K 35 3500K 40 4000K	[BLANK] Black BZ Bronze GD Gold	J1 Juno G1 Global H1 Halo L1 Lightolier	BK Black powder coat WH White powder coat SV Silver powder Coat

Fixture Family	Wattage	Distribution	CRI	CCT	Bezel Finish	Adapter	Finish
-----------------------	----------------	---------------------	------------	------------	---------------------	----------------	---------------

1. Programable down to 19W



ORDERING GUIDE-ACCESSORIES

Ordered separately

AE-TL-CDX ERALUX Chandra Max Track Head	-HX Hex louver -SNT-BK Black Snoot -SNT-WH White Snoot
--	--

T10016 Monopoint Mounting T10017 Duopoint Mounting	-BK Black -WH White
---	--

Fixture Family	Optics	Mounting	Finish
-----------------------	---------------	-----------------	---------------

ORDERING GUIDE- TRACK SYSTEM

Track system and components are ordered with the track head if needed.

Refer to the links below for more information

T1
ERALUX Track T1
Compatible with Juno system-1 circuit

T2
ERALUX Track T2
Compatible with Juno system-2 circuit

H1
ERALUX Track H1
Compatible with Halo system-1 circuit

-2 2ft track
-4 4ft track
-6 6ft track
-8 8ft track
-12 12ft track
0001 Mini I Connector
0002 T Connector
0003 L Connector
0004 X Connector
0015 End Feed

-BK
Black Finish

-WH
White Finish

TRACK SYSTEM	Track System	Finish	PN	QTY
---------------------	---------------------	---------------	-----------	------------

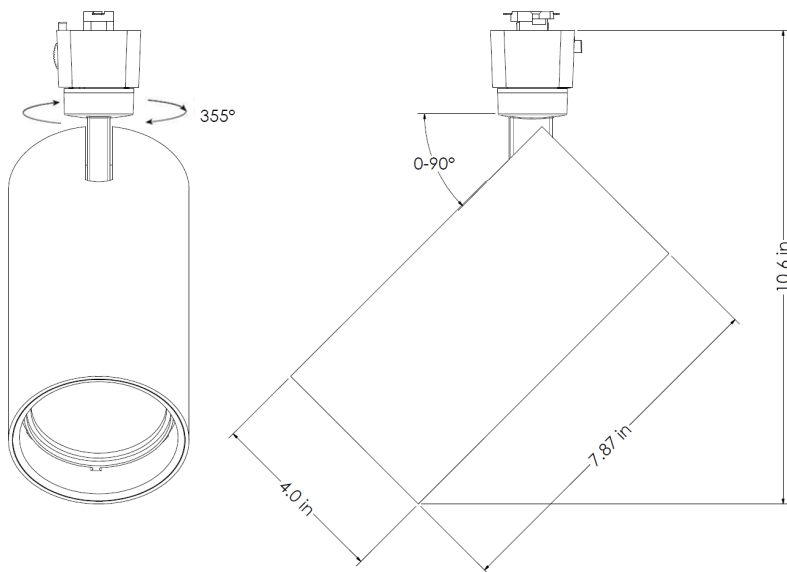
TRACK LED LIGHT

Cylinder Track Head | 3" Aperture | 7.9" Length

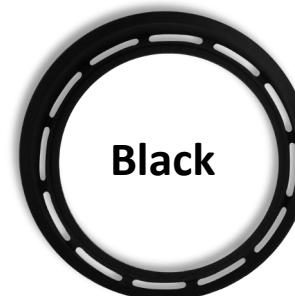
DIMENSIONS

AE-TL-CDX-12

- Rotation up to 355°
- Tilt +/- 90°



BEZEL OPTIONS



TRACK LED LIGHT

Cylinder Track Head | 3" Aperture | 7.9" Length

ACCESSORIES

OPTICAL

ORDERING CODE	DESCRIPTION	PICTURE
AE-TL-CDX-HX	Hex louver Reduce the glare of the light source and luminaire	
AE-TL-CDX-SNT-BK	Black Snoot Control the direction and radius of the light beam	
AE-TL-CDX-SNT-WH	White Snoot Control the direction and radius of the light beam	

MOUNTING

ORDERING CODE	DESCRIPTION	PICTURE
T10016	Monopoint adapter Surface / wall mount Compatible with Juno system 1 Track head can be installed.	
T10017	Duopoint adapter Surface / wall mount Compatible with Juno system. 2 Track heads can be installed.	

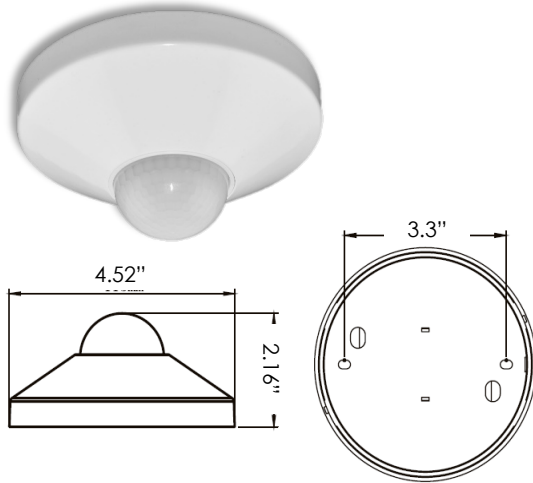
TRACK LED LIGHT

Cylinder Track Head | 3" Aperture | 7.9" Length

ROOM OCCUPANCY SENSOR

Ordered separately, field installed

PART NUMBER	DESCRIPTION
AE-CT-DT806	Detecta - Room Occupancy Sensor
RC102	RC102 Remote Control



SPECIFICATIONS		
Input Voltage	120-277 Vac	
Power Frequency	50/60HZ	
Rated Load	At 120 Vac	800W
	At 277 Vac	1200W
Detection Range	3-10 Meters	
	9.8-32.75 Feet	
Standby Power	~0.9W	
Time Setting	10 sec to 30 min	
Light Control	10-2,000LUX	
Installation	Ceiling Mounted	

DIMMER COMPATIBILITY LIST

TRIAC/ELV Dimming

Brand	Model	Brand	Model
Leviton	6602-X	Lutron	SLV-600X
	6681-X		S2-LX
	6683-X		GL-600H
	6684-X		NFTU-5A
	700-X		DVLV-600P
	705-X	Cooper	9530XXX
	6633	Lightolier	MP600X
	6674	Advance	SR150LED120
	IPI06-1LZ		

0-10V Dimming

Brand	Model
Lutron, Nova series	NFTV
Lutron, Diva series	DVTV
Leviton, IllumaTech series	IP710-DL

TRACK LED LIGHT

Cylinder Track Head | 3" Aperture | 7.9" Length

LUMEN ESTIMATE

Lumen output varies based on CCT and CRI. An estimate of lumen output of the various CCT/CRI combinations, use correction factors as per table below:

LUMEN ESTIMATE ADJUSTMENT FACTORS

CCT	3000K	3500K	4000K
PREMIUM (90CRI)	1	1.03	1.06

PHOTOMETRIC DATA

PART NUMBER		ZONAL LUMEN SUMMARY			POLAR LUMINOUS INTENSITY	CONE DISTRIBUTION			
AE-CDG-XXWFLP30J1XX		Zone	Lumens	% Fixture	Direct Light	Center Beam Fc		Beam Width	
Wattage	41W	0-20°	2555.35	65.80		1.7ft	4795 fc	0.8 ft	0.8 ft
CCT	3000K	0-30°	3313.88	85.40		3.3ft	1273 fc	1.5 ft	1.5 ft
Distribution	25°	0-40°	3603.62	92.90		5.0ft	554 fc	2.2 ft	2.2 ft
CBCP	12850	0-60°	3789.05	97.60		6.7ft	309 fc	3.0 ft	3.0 ft
		0-80°	3830.14	98.70		8.3ft	201 fc	3.7 ft	3.7 ft
		0-90°	3836.41	98.90	10.0ft	139 fc	4.5 ft	4.5 ft	

PART NUMBER		ZONAL LUMEN SUMMARY			POLAR LUMINOUS INTENSITY	CONE DISTRIBUTION			
AE-TL-CDX-12FLP30XXJ1XX		Zone	Lumens	% Fixture	Direct Light	Center Beam Fc		Beam Width	
Wattage	41W	0-20°	2266.37	56.70		1.7ft	2834 fc	1.2 ft	1.2 ft
CCT	3500K	0-30°	3323.19	83.10		3.3ft	752 fc	2.3 ft	2.3 ft
Distribution	40°	0-40°	3704.69	92.70		5.0ft	328 fc	3.5 ft	3.5 ft
CBCP	7700	0-60°	3904.63	97.70		6.7ft	182 fc	4.7 ft	4.7 ft
		0-80°	3946.78	98.70		8.3ft	119 fc	5.8 ft	5.8 ft
		0-90°	3953.27	98.90	10.0ft	81.9 fc	7.0 ft	7.0 ft	

PART NUMBER		ZONAL LUMEN SUMMARY			POLAR LUMINOUS INTENSITY	CONE DISTRIBUTION			
AE-TL-CDX-12WFP30XXJ1XX		Zone	Lumens	% Fixture	Direct Light	Center Beam Fc		Beam Width	
Wattage	41W	0-20°	1449.76	35.60		1.7ft	1423 fc	2.0 ft	2.0 ft
CCT	4000K	0-30°	2735.08	67.20		3.3ft	378 fc	3.8 ft	3.9 ft
Distribution	60°	0-40°	3569.89	87.70		5.0ft	165 fc	5.8 ft	5.8 ft
CBCP	3700	0-60°	3983.09	97.80		6.7ft	91.6 fc	7.8 ft	7.8 ft
		0-80°	4020.74	98.80		8.3ft	59.7 fc	9.7 ft	9.7 ft
		0-90°	4027.22	98.90	10.0ft	41.1 fc	11.7 ft	11.7 ft	

TRACK LED LIGHT

Cylinder Track Head | 3" Aperture | 7.9" Length

OVERVIEW



Innovative Design

- Aluminum die cast housing for better heat dissipation.
- Improved design extends LED and driver lifespan.



Multiple Options

- 41W power – programmable down to 19W
- Variety of beam angles.
- Four CCTs available.
- Black, white, and silver finishes.
- Three bezel options: black, bronze, and gold.



Mountings Available

- Choose from any of the popular track systems such as Juno, Halo, Lightolier, or Global.
- Surface mount with either monopoint or duopoint adapters.



Tests And Certifications



Accessories

- Hex louvers and snoots to customize your track fixtures

