

CHANDRA MINI DTW

TRACK LIGHTING

Track Fixture



eralux®



CHANDRA MINI DTW is a new fixture added to the Chandra series, the special about this fixture is that it comes with dim to warm feature; as the power descends the CCT decreases, the light color become warmer as the light dims. Starting at 3000K to 1800K

It is available in a variety of beam patterns with a 90CRI, the CHANDRA Mini DTW will enhance your retail surrounding to another level creating a cozy warm like sunset environment.

DATE	
PROJECT NAME	
TYPE	
QTY	
ORDERING CODE	AE-TL-CD-DTW 12 P 3018

OPERATING & ELECTRICAL

INPUT VOLTAGE	120V
POWER FACTOR	>0.9
DIMMING	TRIAC/ELV dimming
TOTAL HARMONIC DISTORTION (THD)	<20%

PERFORMANCE

LUMENS PER WATT	78 LPW at 90CRI
POWER CONSUMPTION	13.5W
DISTRIBUTION	Narrow Flood Flood Wide Flood Very Wide Flood

MECHANICAL & HOUSING

HOUSING	Aluminum die cast
LENS	Highly durable polycarbonate and high transmittance lens
FINISH	Black, White, Silver
POWER SUPPLY	Factory wired electronic LED driver
LED BOARD	DIM TO WARM COB LED

APPLICATION CONDITION

AMBIENT TEMPERATURE RANGE	-10 °C to 35°C
---------------------------	----------------

COMPATIBLE MOUNTING

MOUNTING	Juno Global Halo Lightolier
----------	--------------------------------------

WARRANTY

SYSTEM WARRANTY – 5 YEARS

Eralux will warrant defective drivers, LEDs and boards for 5 years from the date of purchase. This warranty is valid only if the fixture is installed and used as per installation guides and specifications. If a defect is present, Eralux will send drivers and boards at no fee with a thorough replacement instructions along with instructions on the return of the defective parts back to Eralux.

LUMEN MAINTENANCE – L70 at 50,000 hours

Rated for 70% initial lumen output at 50,000 hours of operation, operated at 25°C ambient temperature; per guidelines published by the Illuminating Engineering Society (IES)

CHANDRA MINI DTW

TRACK LIGHTING

Track Fixture

DATE	
PROJECT NAME	
TYPE	
QTY	
ORDERING CODE	AE-TL-CD-DTW 12 P 3018

ORDERING GUIDE

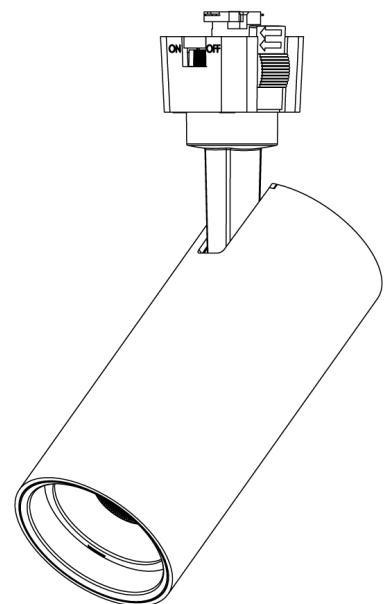
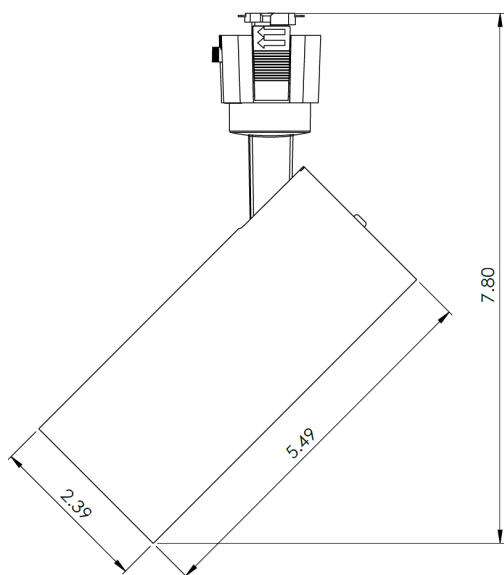
EXAMPLE: AE-TL-CDM-DTW12NFP3018BZJ1BK

FIXTURE FAMILY	VOLTA GE	DISTRIBUTION	CRI	CCT	TRIM FINISH	ADAPTER	FINISH
AE-TL-CDM-DTW	12		P	3018			
AE-TL-CDM-DTW ERALUX CHANDRA MINI-DIM TO WARM track light	12 120VA C 13.5 watt 1050 lumens at 90CRI 3000K	NF Narrow Flood light distribution 18° CBCP: 7530	P Premium 90 CRI	3018 Dim to Warm form 3000K to 1800K	[BLANK] Black	J1 Juno mounting system	BK Black powder coat finish
		FL Flood light distribution 25° CBCP: 5000			BZ Bronze	G1 Global mounting system	
		WF Flood light distribution 37° CBCP: 2450			GD Gold	H1 Halo mounting system	SV Silver powder coat finish
		VWF Wide Flood light distribution 56° CBCP: 1220				L1 Lightolier mounting system	

PRODUCT DIMENSIONS in inches

AE-TL-CDM-DTW12XXP3018XXXX

Weight: 0.502 kg



CHANDRA MINI DTW

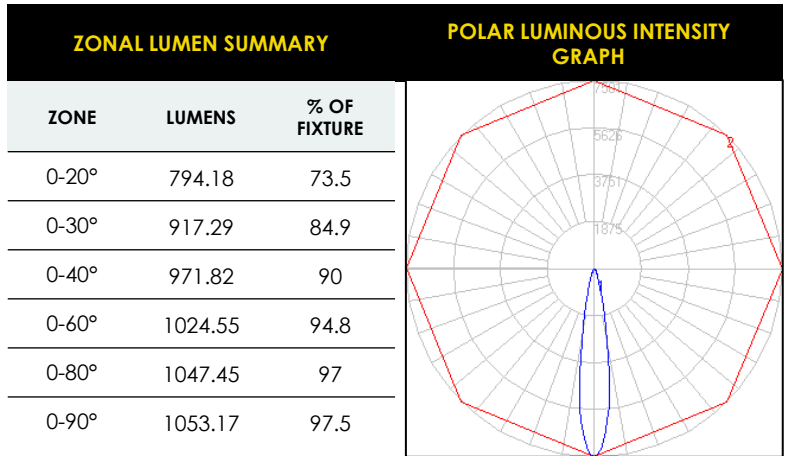
TRACK LIGHTING

Track Fixture

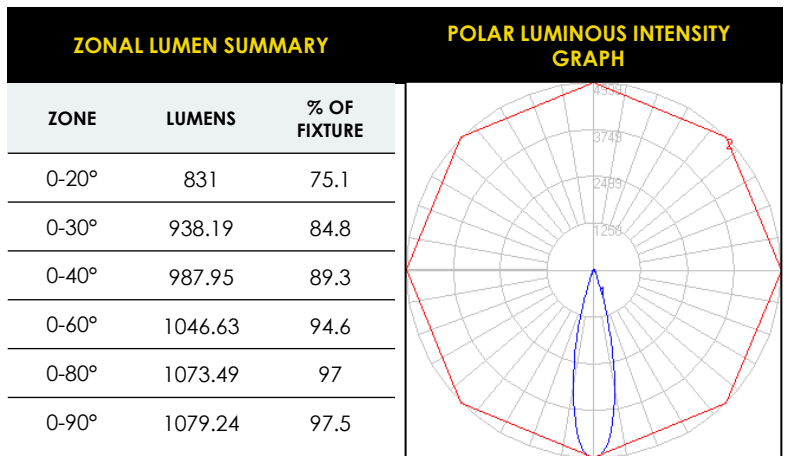
DATE					
PROJECT NAME					
TYPE					
QTY					
ORDERING CODE	AE-TL-CD-DTW	12	P	3018	

PHOTOMETRIC DATA

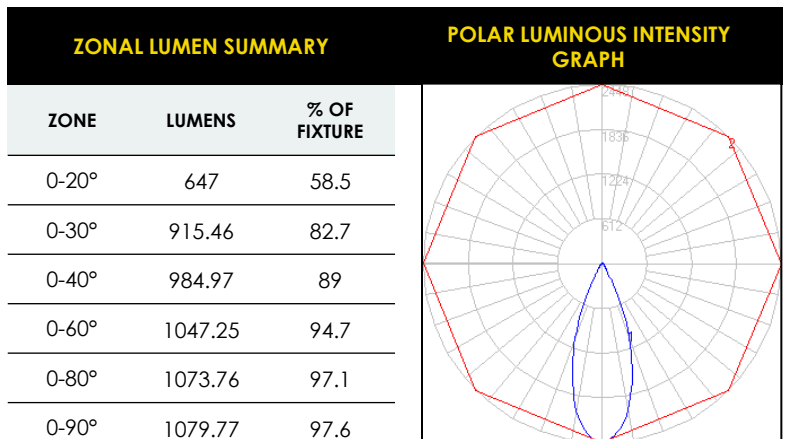
AE-TL-CDM-DTW12NFP3018XXXX
 Narrow Flood 18°
 3000K



AE-TL-CDM-DTW12FLP3018XXXX
 Flood 25°
 3000K



AE-TL-CDM-DTW12WFP3018XXXX
 Wide Flood 37°
 3000K



CHANDRA MINI DTW

TRACK LIGHTING

Track Fixture

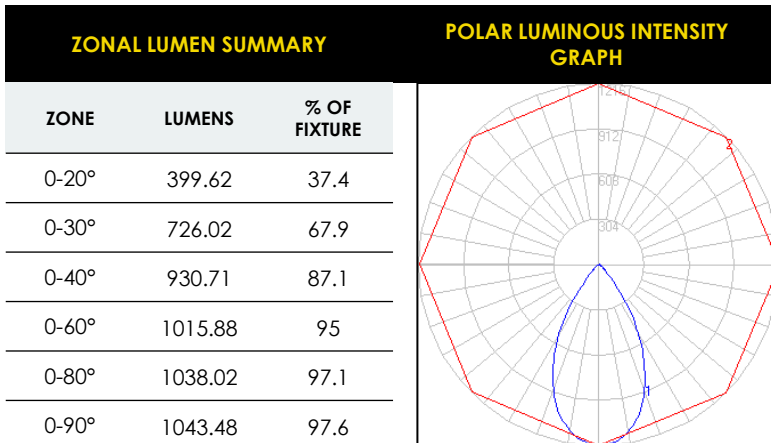
DATE	
PROJECT NAME	
TYPE	
QTY	
ORDERING CODE	AE-TL-CD-DTW 12 P 3018

PHOTOMETRIC DATA

AE-TL-CDM-DTW12VWFP3018XXXX

Very Wide Flood 56°

3000K



DIMMER COMPATIBILITY LIST (13.5W)

TRIAC/ELV Dimmer @120VAC
Lutron SLV-600X
Lutron S2-LX
Lutron GL-600H
Lutron NFTU-5A
Lutron DVLV-600P
Leviton 6602-X
Leviton 6681-X
Leviton 6683-X

TRIAC/ELV Dimmer @120VAC
Leviton 6684-X
Leviton 700-X
Leviton 705-X
Leviton 6633
Leviton 6674
Leviton IPI06-1LZ
Cooper 9530XXX
Lightolier MP600X
Advance SR150LED120

ACCESSORIES

Ordered separately, field installed

FIXTURE FAMILY	ACCESSORY	PICTURE
AE-TL-CDM-		
AE-TL-CDM-DTW-	HX Hexcell Louver	
	SNT-BK Snoot Black	
	SNT-WH Snoot White	

CHANDRA MINI DTW

TRACK LIGHTING

Track Fixture

DATE	
PROJECT NAME	
TYPE	
QTY	
ORDERING CODE	AE-TL-CD-DTW 12 P 3018

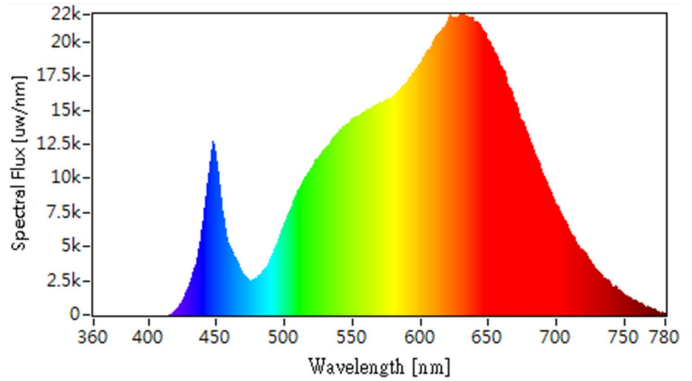
LUMEN REPORT

AE-TL-CDM-DTW12WFP3018XXXX

Wide Flood 24°

Lumens 1060.5

3000K CCT

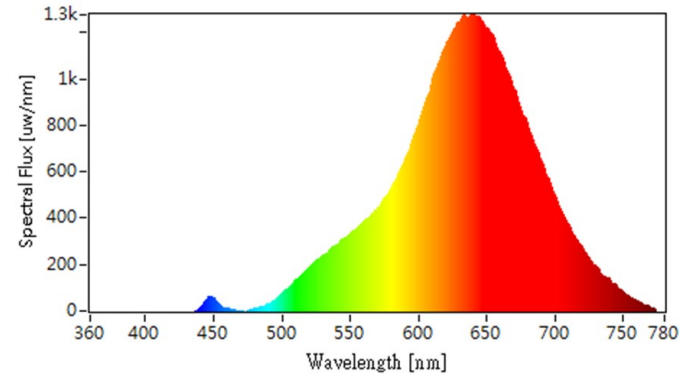


AE-TL-CDM-DTW12WFP3018XXXX

Wide Flood 24°

Lumens 35.4

1800K CCT



DIM TO WARM

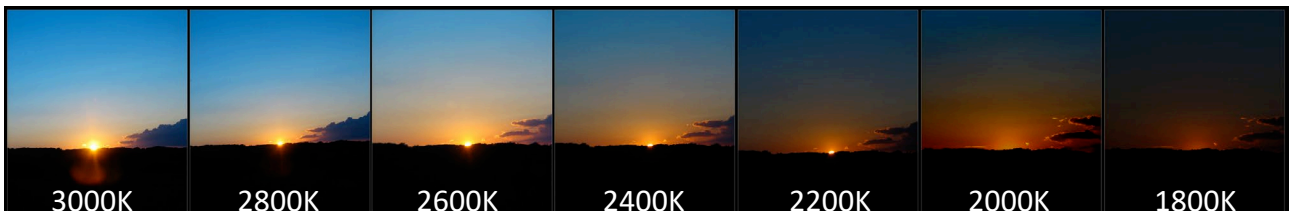
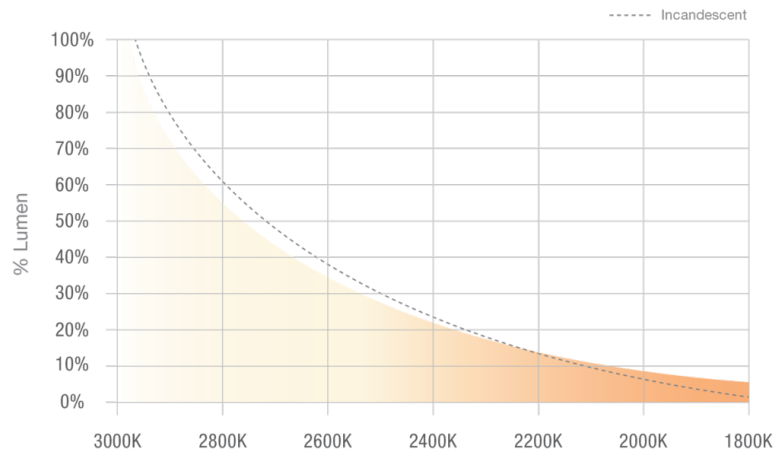
This feature allows you to control the CCT with respect to power.

At 3000K it will provide 100% of lumens which is around 1050 lm, and at 1800K it will offer 5% of lumens which is around 50 lm.

At 3000K and high lumens you get bright light suitable for working. And at 1800K and low lumens you get warm and dimmed light suitable for hosting and relaxing in the evening.

Imitating the sunset stages.

Change in CCT with respect to dimming profile



CHANDRA MINI DTW

TRACK LIGHTING

Track Fixture

DATE	
PROJECT NAME	
TYPE	
QTY	
ORDERING CODE	AE-TL-CD-DTW 12 P 3018

OVERVIEW



MULTIPLE MOUNTING ADAPTERS

Choose from any of the popular track systems such as Juno, Halo, Lightolier, or Global.

PREMIUM DESIGN

Aluminum die-cast materials selected for efficient thermal heat dissipation, enhanced structural rigidity maximizing LED life and driver function.

MULTIPLE OPTIONS

Customize your track head by selecting from a variety of beam angle allowing you to have a unique fixture that suits your project.

PAINT FINISH

Factory standard in black, white, and silver. Contact for custom paint finishes to enhance your fixture to suit your project space.

EFFICIENT DESIGN

Integrated components allow for small stem and clean aesthetic appearance.

DIM TO WARM

This feature allows the fixture to change the color temperature from 30K to 18K as the light dims from 100% lumens to 5%, creating a warm environment.

