

CHANDRA

TRACK LED LIGHT

Cylinder Track Head | 2.5" Aperture | 6.2" Length

The CHANDRA is a cylinder track head offers a range of optical options, multiple of bezel and fixture finishes making it an attractive addition, Its accessories and mounting options allow for seamless customization. With straight forward installation, adjustments to the lighting can be made quickly and effortlessly on field. It will brighten you space by offering 1720 lumens

Applications: Art Galleries | Show Rooms | Retail Stores | Hospitality.

eralux®

	DATE	QTY	ACC. QTY	TYPE
PROJECT				
PN				
ACCESSORY PN				
NOTES				



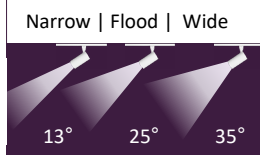
DYNAMIC MENU

Order Information	Page 2
Dimensions	Page 3
Accessories	Page 4
Photometric Data	Page 6

[Install Instruction link](#)

SPECIFICATIONS

Input Voltage	120V
Power Factor	>0.9
Total Harmonic Distortion	<20%
Dimming Page 5	TRIAC dimming
CRI	90 CRI High GAI
CCT	<div style="display: flex; gap: 10px;"> <div style="border: 1px solid black; border-radius: 50%; width: 20px; height: 20px; background-color: #fff9c4; display: flex; align-items: center; justify-content: center;">27K</div> <div style="border: 1px solid black; border-radius: 50%; width: 20px; height: 20px; background-color: #fff176; display: flex; align-items: center; justify-content: center;">30K</div> <div style="border: 1px solid black; border-radius: 50%; width: 20px; height: 20px; background-color: #fff9c4; display: flex; align-items: center; justify-content: center;">35K</div> <div style="border: 1px solid black; border-radius: 50%; width: 20px; height: 20px; background-color: #fff176; display: flex; align-items: center; justify-content: center;">40K</div> </div>
Efficacy	~86 lm/W
Power	20W
Ambient Temperature Range	-10°C to 35°C
Mounting Adapter	Juno Global Halo Lightolier
Mounting Options	Track System Monopoint
Fixture Finish	Black White Silver
Bezel Finish	Black Bronze Gold
Optical Accessories	Hex louver Snoot



PRODUCT CERTIFICATIONS



SYSTEM WARRANTY – 5 YEARS

Eralux will warrant defective drivers, LEDs and boards for 5 years from the date of purchase. This warranty is valid only if the fixture is installed and used as per installation guides and specifications. If a defect is present, Eralux will send drivers and boards at no fee with a thorough replacement instructions along with instructions on the return of the defective parts back to Eralux.

LUMEN MAINTENANCE – L70 at 50,000 hours

Rated for 70% initial lumen output at 50,000 hours of operation, operated at 25°C ambient temperature; per guidelines published by the Illuminating Engineering Society (IES).

TRACK LED LIGHT

Cylinder Track Head | 2.5" Aperture | 6.2" Length



ORDERING GUIDE

AE-TL-CD	12						
AE-TL-CD ERALUX Chandra Track Head	12 120V 20 W 1,720 Lm At 3500K	NF Narrow Flood 13° FL Flood 25° WF Wide Flood 35°	P Premium 90 CRI S¹ Superior High GAI	27 2700K 30 3000K 35 3500K 40 4000K	[BLANK] Black Trim BZ Bronze GD Gold	J1 Juno G1 Global H1 Halo L1 Lightolier	BK Black powder coat WH White powder coat SV Silver powder Coat

Fixture Family	Voltage	Distribution	CRI	CCT	Bezel Finish	Adapter	Finish
----------------	---------	--------------	-----	-----	--------------	---------	--------

1. Available only at 3000K & 3500K



ORDERING GUIDE - ACCESSORIES

Ordered separately

AE-TL-CD ERALUX Chandra Track Head	HX Hex louver SNT-BK Black Snoot SNT-WH White Snoot

T10016 Monopoint Mounting T10017 Duopoint Mounting	BK Black WH White

Fixture Family	Optics
----------------	--------

Mounting	Finish
----------	--------

ORDERING GUIDE - TRACK SYSTEM

Track system and components are ordered with the track head if needed.

Refer to the links below for more information

T1
ERALUX Track T1
Compatible with Juno system-1 circuit

- 2 2ft track
- 4 4ft track
- 6 6ft track
- 8 8ft track
- 12 12ft track
- 0001 Mini I Connector
- 0002 T Connector
- 0003 L Connector
- 0004 X Connector
- 0015 End Feed

T2
ERALUX Track T2
Compatible with Juno system-2 circuit

H1
ERALUX Track H1
Compatible with Halo system-1 circuit

-BK
Black Finish

-WH
White Finish

TRACK SYSTEM	Track System	Finish	PN	QTY
--------------	--------------	--------	----	-----

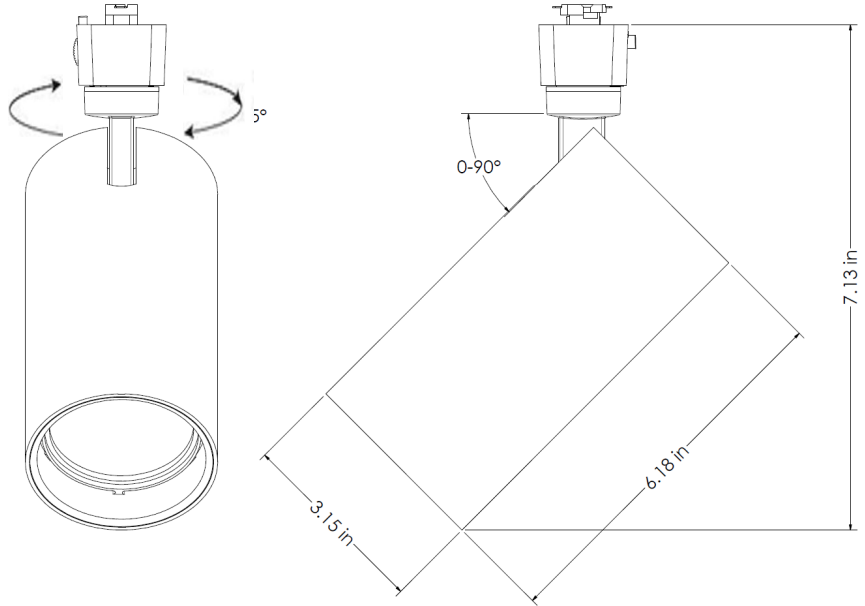
TRACK LED LIGHT

Cylinder Track Head | 2.5" Aperture | 6.2" Length

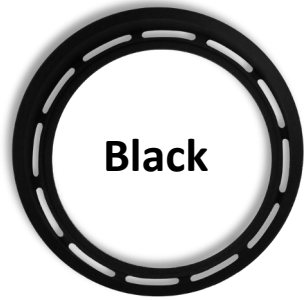
DIMENSIONS

AE-TL-CD-12

- Rotation up to 355°
- Tilt +/- 90°



BEZEL OPTIONS



TRACK LED LIGHT

Cylinder Track Head | 2.5" Aperture | 6.2" Length

ACCESSORIES

OPTICAL

ORDERING CODE	DESCRIPTION	PICTURE
AE-TL-CD-HX	Hex louver Reduce the glare of the light source and luminaire	
AE-TL-CD-SNT-BK	Black Snoot Control the direction and radius of the light beam	
AE-TL-CD-SNT-WH	White Snoot Control the direction and radius of the light beam	

MOUNTING ACCESSORIES

ORDERING CODE	DESCRIPTION	PICTURE
T10016	Monopoint adapter Surface / wall mount Compatible with Juno system 1 Track head can be installed.	
T10017	Duopoint adapter Surface / wall mount Compatible with Juno system. 2 Track heads can be installed.	

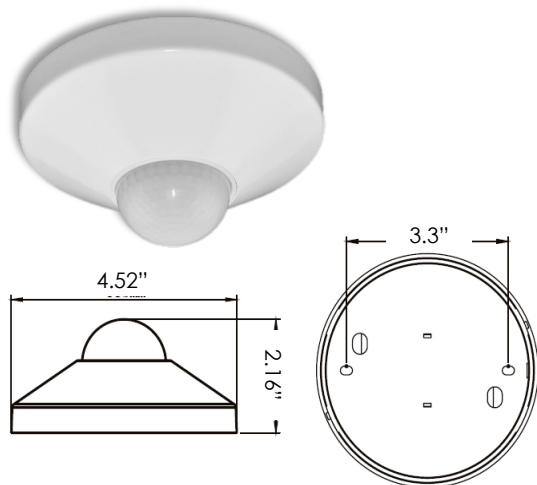
TRACK LED LIGHT

Cylinder Track Head | 2.5" Aperture | 6.2" Length

ROOM OCCUPANCY SENSOR

Ordered separately, field installed

PART NUMBER	DESCRIPTION
AE-CT-DT806	Detecta - Room Occupancy Sensor
RC100	RC102 Remote Control



SPECIFICATIONS		
Input Voltage	120-277 Vac	
Power Frequency	50/60HZ	
Rated Load	At 120 Vac	800W
	At 277 Vac	1200W
Detection Range	3-10 Meters	
	9.8-32.75 Feet	
Standby Power	~0.9W	
Time Setting	10 sec to 30 min	
Light Control	10-2,000LUX	
Installation	Ceiling Mounted	

DIMMER COMPATIBILITY LIST

TRIAC/ELV Dimming

Brand	Model
LUTRON	DV-600P
	DVELV-303P
	NTELV-600
	MAELV-600
	SELV-300P
	DVLV-600P
	NFTU-5A
	CTCL-153P
	GL-600H
S-600P	

TRACK LED LIGHT

Cylinder Track Head | 2.5" Aperture | 6.2" Length

LUMEN ESTIMATE

Lumen output varies based on CCT and CRI. An estimate of lumen output of the various CCT/CRI combinations, use correction factors as per table below:

LUMEN ESTIMATE ADJUSTMENT FACTORS

CCT	3000K	3500K	4000K
PREMIUM (90CRI)	1	1.03	1.06

PHOTOMETRIC DATA

PART NUMBER		ZONAL LUMEN SUMMARY			POLAR LUMINOUS INTENSITY	CONE DISTRIBUTION			
AE-TL-CD-12NFP30J1XX		Zone	Lumens	% Fixture	Direct Light	Center Beam Fc	Beam Width		
Wattage	20W	0-20°	1348.83	79.30		1.7ft	5305 fc	0.4 ft	0.4 ft
CCT	3000K	0-30°	1545.98	90.90		3.3ft	1408 fc	0.8 ft	0.8 ft
Distribution	13°	0-40°	1618.58	95.20		5.0ft	613 fc	1.2 ft	1.2 ft
CBCP	4499	0-60°	1659.99	97.60		6.7ft	342 fc	1.6 ft	1.6 ft
		0-80°	1669.31	98.20		8.3ft	223 fc	2.0 ft	2.0 ft
		0-90°	1673.87	98.40	10.0ft	153 fc	2.4 ft	2.4 ft	
						■ Vert. Spread: 13.7° ■ Horiz. Spread: 13.6°			

PART NUMBER		ZONAL LUMEN SUMMARY			POLAR LUMINOUS INTENSITY	CONE DISTRIBUTION			
AE-TL-CD-12FLP30J1XX		Zone	Lumens	% Fixture	Direct Light	Center Beam Fc	Beam Width		
Wattage	20W	0-20°	1234.44	75.20		1.7ft	2490 fc	0.7 ft	0.7 ft
CCT	3000K	0-30°	1453.48	88.50		3.3ft	661 fc	1.4 ft	1.5 ft
Distribution	25°	0-40°	1543.37	94.00		5.0ft	288 fc	2.2 ft	2.2 ft
CBCP	3424	0-60°	1603.31	97.60		6.7ft	160 fc	2.9 ft	3.0 ft
		0-80°	1612.7	98.20		8.3ft	104 fc	3.6 ft	3.7 ft
		0-90°	1616.62	98.40	10.0ft	72 fc	4.4 ft	4.4 ft	
						■ Vert. Spread: 24.6° ■ Horiz. Spread: 24.9°			

PART NUMBER		ZONAL LUMEN SUMMARY			POLAR LUMINOUS INTENSITY	CONE DISTRIBUTION			
AE-TL-CD-12WFP30J1XX		Zone	Lumens	% Fixture	Direct Light	Center Beam Fc	Beam Width		
Wattage	20W	0-20°	1214.27	70.00		1.7ft	1619 fc	1.1 ft	1.1 ft
CCT	3000K	0-30°	1561.95	90.00		3.3ft	430 fc	2.1 ft	2.0 ft
Distribution	35°	0-40°	1647.39	94.90		5.0ft	187 fc	3.1 ft	3.1 ft
CBCP	1328	0-60°	1695.17	97.70		6.7ft	104 fc	4.2 ft	4.2 ft
		0-80°	1704.35	98.20		8.3ft	67.9 fc	5.2 ft	5.1 ft
		0-90°	1708.51	98.40	10.0ft	46.8 fc	6.3 ft	6.2 ft	
						■ Vert. Spread: 34.7° ■ Horiz. Spread: 34.4°			

TRACK LED LIGHT

Cylinder Track Head | 2.5" Aperture | 6.2" Length

OVERVIEW



Innovative Design

- Aluminum die cast housing for better heat dissipation.
- Improved design extends LED and driver lifespan.



Multiple Options

- 20W power.
- Variety of beam angles.
- Four CCTs available.
- Black, white, and silver finishes.
- Three bezel options: black, bronze, and gold.

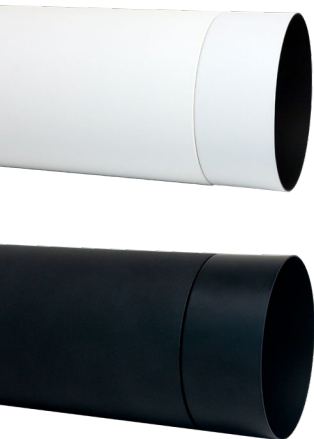


Mountings Available

- Choose from any of the popular track systems such as Juno, Halo, Lightolier, or Global.
- Surface mount with either monopoint or duopoint adapters.



Tests And Certifications



Accessories

- Hex louvers and snoots to customize your track fixtures

