

# DREAM CHASER MINI

## TRACK LIGHTING

Track Fixture

The DREAM CHASER series differentiates itself with the appearance of its heatsink combined elegantly with the curvy machined die cast housing. This version comes with various beam patterns, track adapters to make it suitable for many applications whether retrofit or new constructions.



eralux®



DATE					
PROJECT NAME					
TYPE					
QTY					
ORDERING CODE	AE-TL-DCM		P		

### OPERATING & ELECTRICAL

INPUT VOLTAGE	120-277V
POWER FACTOR	0.9
DIMMING	Triac dimming
TOTAL HARMONIC DISTORTION(THD)	<20%

### PERFORMANCE

LEMENS PER WATT	72-84 LPW at 90CRI
POWER CONSUMPTION	20W
DISTRIBUTION	Spot 12° Narrow Flood 17° Flood 29° Wide Flood 33°

### MECHANICAL & HOUSING

HOUSING	Die casting aluminum for increased rigidity and strength
LENS	Highly durable polycarbonate and high transmittance lens
FINISH	Black, White, Silver
POWER SUPPLY	Factory wired electronic LED driver
LED BOARD	COB

### APPLICATION CONDITION

AMBIENT TEMPERATURE RANGE	-10 °C to 35°C
---------------------------	----------------

### COMPATIBLE MOUNTING

MOUNTING	Juno Global Halo Lightlier
----------	-------------------------------------

### WARRANTY

#### SYSTEM WARRANTY – 5 YEARS

Eralux will warrant defective drivers, LEDs and boards for 5 years from the date of purchase. This warranty is valid only if the fixture is installed and used as per installation guides and specifications. If a defect is present, Eralux will send drivers and boards at no fee with a thorough replacement instructions along with instructions on the return of the defective parts back to Eralux.

#### LUMEN MAINTENANCE – L70 at 50,000 hours

Rated for 70% initial lumen output at 50,000 hours of operation, operated at 25°C ambient temperature; per guidelines published by the Illuminating Engineering Society (IES)

# DREAM CHASER MINI

TRACK LIGHTING  
TRACK FIXTURE

DATE					
PROJECT NAME					
TYPE					
QTY					
ORDERING CODE	AE-TL-DCM		P		

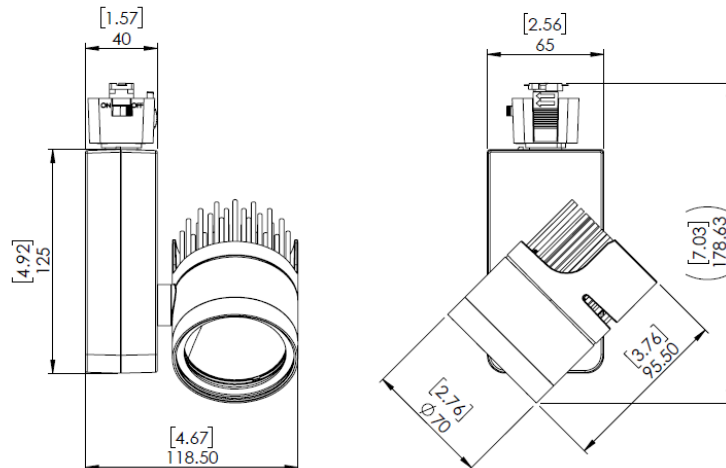
## ORDERING GUIDE

EXAMPLE: AE-TL-DCMNF35J1WH

FIXTURE FAMILY	DISTRIBUTION	CRI	CCT	ADAPTER	FINISH
<b>AE-TL-DCM</b>		<b>P</b>			
<b>AE-TL-DCM</b> ERALUX Dream Chaser MINI track light	<b>SP</b> Spotlight distribution 12°  1,548 lumens @3000K, 90CRI CBCP: 10500 @ 90 CRI	<b>P</b> Premium 90 CRI	<b>27</b> 2700K CCT	<b>J1</b> Juno mounting system	<b>BK</b> Black powder coat finish
	<b>NF</b> Narrow flood light distribution 17° 1,548 lumens @3000K, 90CRI CBCP: 7244.7 @ 90 CRI		<b>30</b> 3000K CCT	<b>G1</b> Global mounting system	
	<b>FL</b> Flood light distribution 29° 1,548 lumens @3000K, 90CRI CBCP: 40545 @ 90 CRI		<b>35</b> 3500K CCT	<b>H1</b> Halo mounting system	<b>SV</b> Silver powder coat finish
	<b>WF</b> Wide flood light distribution 33° 1,548 lumens @3000K, 90CRI CBCP: 3581 @ 90 CRI		<b>40</b> 4000K CCT	<b>L1</b> Lightolier mounting system	

## PRODUCT DIMENSIONS (in mm [in])

DREAM CHASER MINI  
Weight: 0.925 kg



# DREAM CHASER MINI

TRACK LIGHTING  
TRACK FIXTURE

DATE				
PROJECT NAME				
TYPE				
QTY				
ORDERING CODE	AE-TL-DCM	P		

## LUMEN ESTIMATE

Lumen output varies based on CCT and CRI. An estimate of lumen output of the various CCT/CRI combinations, use correction factors as per table below:

LUMEN ESTIMATE ADJUSTMENT FACTORS				
CCT	2700K	3000K	3500K	4000K
NORMAL (80 CRI)	0.93	0.1	1.07	1.07
PREMIUM (90CRI)	0.8	0.86	0.93	0.93

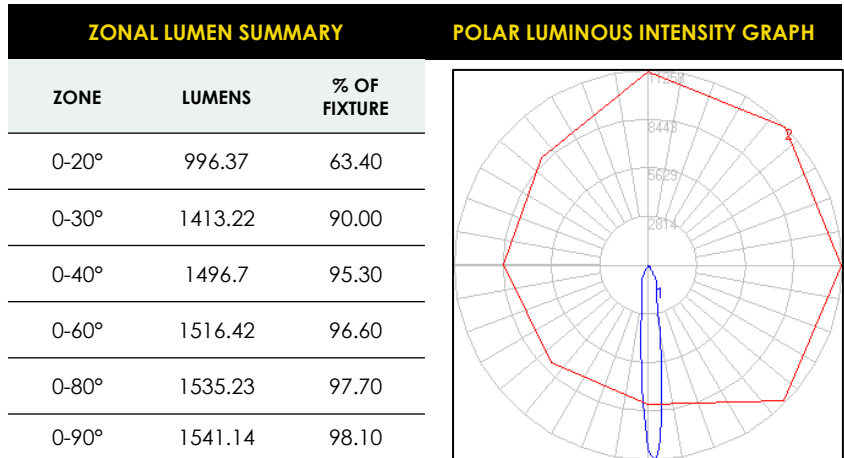
## PHOTOMETRIC DATA

AE-TL-DCMSPP30XXXX

Spot light distribution 12°

Premium 90 CRI

3000K CCT

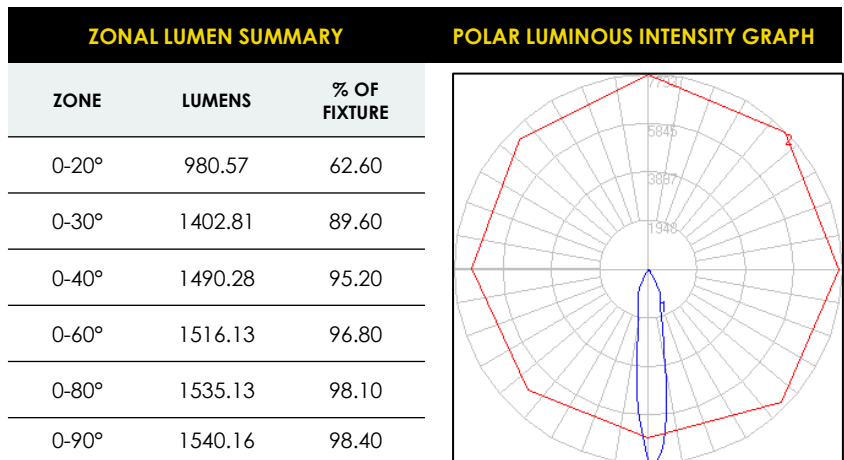


AE-TL-DCMNFP30XXXX

Narrow flood light distribution 17°

Premium 90 CRI

3000K CCT



# DREAM CHASER MINI

TRACK LIGHTING  
TRACK FIXTURE

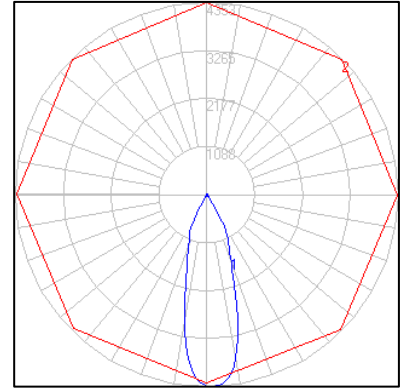
DATE					
PROJECT NAME					
TYPE					
QTY					
ORDERING CODE	AE-TL-DCM		P		

## PHOTOMETRIC DATA (CONTINUE)

AE-TL-DCMFLP30XXXX  
Flood light distribution 29°  
Premium 90 CRI  
3000K CCT

ZONAL LUMEN SUMMARY			POLAR LUMINOUS INTENSITY GRAPH	
---------------------	--	--	--------------------------------	--

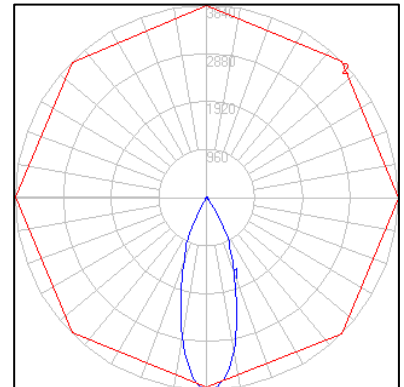
ZONE	LUMENS	% OF FIXTURE
0-20°	971.55	60.90
0-30°	1409.04	88.40
0-40°	1501.24	94.20
0-60°	1539.27	96.60
0-80°	1560.93	97.90
0-90°	1566.47	98.30



AE-TL-DCMWFP30XXXX  
Wide flood light distribution 33°  
Premium 90 CRI  
3000K CCT

ZONAL LUMEN SUMMARY			POLAR LUMINOUS INTENSITY GRAPH	
---------------------	--	--	--------------------------------	--

ZONE	LUMENS	% OF FIXTURE
0-20°	921.19	58.70
0-30°	1374.64	87.60
0-40°	1473.51	93.90
0-60°	1516.12	96.60
0-80°	1537.62	97.90
0-90°	1542.96	98.30



# DREAM CHASER MINI

TRACK LIGHTING  
TRACK FIXTURE

DATE					
PROJECT NAME					
TYPE					
QTY					
ORDERING CODE	AE-TL-DCM		P		

## OVERVIEW



### MULTIPLE MOUNTING ADAPTERS

Choose from any of the popular track systems such as Juno, Halo, Lightolier, or Global.

### MULTIPLE OPTIONS

Customize your track head by selecting from a variety of beam angle, CCT options allowing you to have a unique fixture that suits your project.

### PREMIUM DESIGN & MATERIALS

Aluminum die cast housing for superior thermal heat dissipation, strength, and rigidity. Integrated fin heat dissipation structure built into the fixture's housing provides long lasting LED and driver function.

### PAINT FINISH

Factory standard in black, white, and silver. Contact for custom paint finishes to enhance your fixture to suit your project space.