

ELEGANZA MAX

eralux®

Cylinder LED Light

Architectural Round Cylinder | 4" Aperture | 12" Height

The Eleganza Max Pendant series offers a stunning and sophisticated solution for open ceilings, distinguished by its sleek machined aluminum body. This fully die-cast aluminum fixture stands out for its exceptional durability, refined aesthetics, and notably higher lumen output. The Eleganza Max can be further customized with a range of accessories, including the Snoot, Pin-hole, Glowing Ring, or Hexcell Louver.

Applications: Art Galleries | Show Rooms | Retail Stores | Hospitality | Education

	DATE	QTY	ACC. QTY	TYPE
PROJECT				
PN				
ACCESSORY PN				
NOTES				



DYNAMIC MENU

Order Information	Page 2
Dimensions	Page 3
Accessories	Page 5
Photometric Data	Page 7

[Install Instruction link](#)

SPECIFICATIONS

Input Voltage	120-277V
Power Factor	>0.9
Total Harmonic Distortion	<20%
Dimming Page 6	TRIAC, ELV & 0-10V Dimming
CRI	90 CRI
CCT	<div style="display: flex; gap: 10px;"> <div style="border: 1px solid black; border-radius: 50%; width: 20px; height: 20px; background-color: #fff9c4; display: flex; align-items: center; justify-content: center;">27K</div> <div style="border: 1px solid black; border-radius: 50%; width: 20px; height: 20px; background-color: #fff176; display: flex; align-items: center; justify-content: center;">30K</div> <div style="border: 1px solid black; border-radius: 50%; width: 20px; height: 20px; background-color: #e0e0e0; display: flex; align-items: center; justify-content: center;">35K</div> <div style="border: 1px solid black; border-radius: 50%; width: 20px; height: 20px; background-color: #bbdefb; display: flex; align-items: center; justify-content: center;">40K</div> </div>
Efficacy	~73 lm/W at 90CRI (Standard)
Power	Up to 47W
Ambient Temperature Range	10°C to 35°C
Mounting Options	<div style="display: flex; justify-content: space-around; border-bottom: 1px solid black;"> Stem Pendant Surface </div> <div style="display: flex; justify-content: space-around;"> </div>
Fixture Finish	Black White Silver Custom
Optic Accessory	Snoot Hex Louver Pin Hole Glowing Ring
Distribution	<div style="display: flex; justify-content: space-around; border-bottom: 1px solid black;"> Spot Narrow Flood Wide </div> <div style="display: flex; justify-content: space-around;"> </div>



PRODUCT FEATURES



Custom Color

PRODUCT CERTIFICATIONS



SYSTEM WARRANTY – 5 YEARS

Eralux will warrant defective drivers, LEDs and boards for 5 years from the date of purchase. This warranty is valid only if the fixture is installed and used as per installation guides and specifications. If a defect is present, Eralux will send drivers and boards at no fee with a thorough replacement instructions along with instructions on the return of the defective parts back to Eralux.

LUMEN MAINTENANCE – L85 at 50,000 hours

Rated for 85% initial lumen output at 50,000 hours of operation, operated at 25°C ambient temperature; per guidelines published by the Illuminating Engineering Society (IES).

Cylinder LED Light

Architectural Round Cylinder | 4" Aperture | 12" Height

ORDERING GUIDE

AE-CYL-EZM-50R12					-P-T	
AE-CYL-EZM-50R12 ERALUX ELEGANZA MAX 12" height fixture	-SF-00 Surface Mount -PC-12 Pendant 12' Aircraft Cable Adjustable 1-12' -SM-02 Stem Mount 2' Stem -SM-03 Stem Mount 3' Stem -SM-04 Stem Mount 4' Stem	-50 50W 3431 lm Programmable from 19-47W	-P27 2700K -P30 3000K -P35 3500K -P40 4000K 90 CRI	15 15° 30 30° 40 40° 55 55°	-P-T Premium 90 CRI	BK Black powder coat WH White powder coat SV Silver powder Coat RALXXX Custom
Fixture Family	Mounting	Power	CCT	Distribution	CRI	Finish

1. Programmable between 19-50 watts
2. Contact manufacture for custom color and size

Custom Color Guide

Custom Finish



ORDERING GUIDE-ACCESSORIES

Ordered separately

AE-CYL-EZM ERALUX ELEGANZA MAX Indoor Wall Mounted Fixture	-HX Hex louver -HXSNT Snoot Hex louver -Glow Glow ring
Accessory Family	Accessory

AE-CYL-EZM-HX ERALUX ELEGANZA MAX Indoor Wall Mounted Fixture	-SNT Snoot -PIN Pinhole	-BK Black -WH White -SV Silver -RALXXX¹ Custom colour
Accessory Family	Accessory	Finish

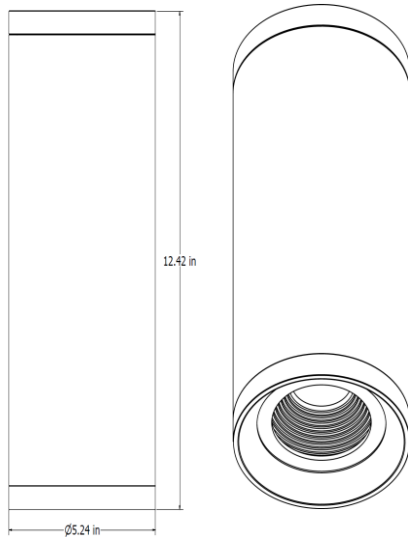
Cylinder LED Light

Architectural Round Cylinder | 4" Aperture | 12" Height

DIMENSIONS

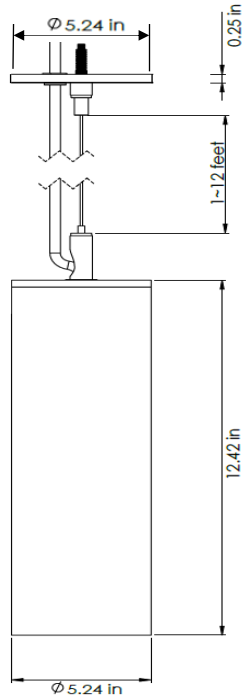
AE-CYL-EZM-50R12

Surface mount



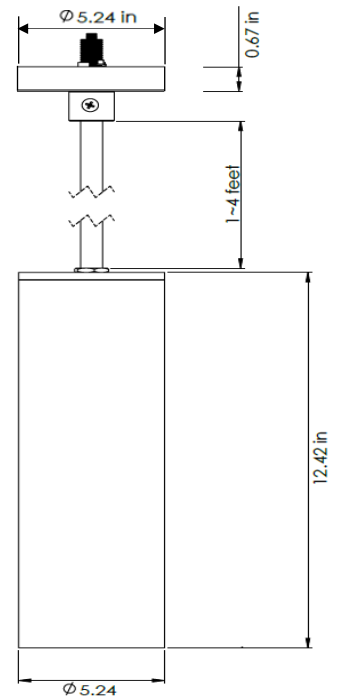
Pendant Cord

Cord: Adjustable length from 1 to 12'



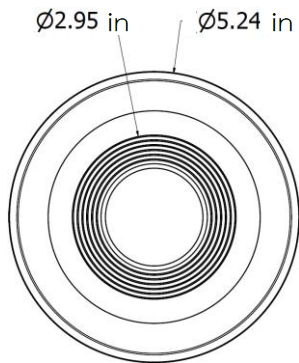
Stem Mount

Stem: 0.5" thickness | 4 sizes; 1', 2', 3' & 4'

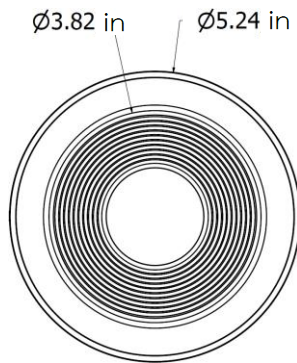


Accessories

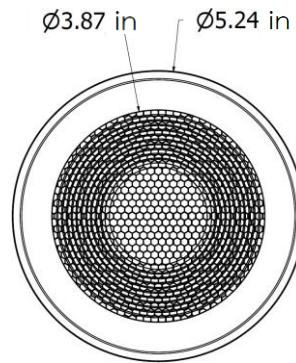
Pinhole



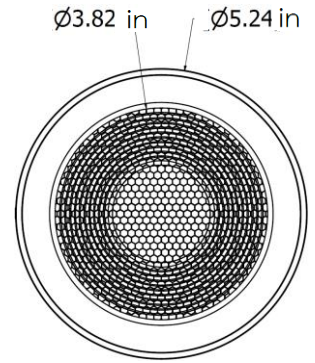
Snoot



Hex Louver



Hex Louver + Snoot






Cylinder LED Light

Architectural Round Cylinder | 4" Aperture | 12" Height

ACCESSORIES

OPTICAL

ORDERING CODE	DESCRIPTION	PICTURE
AE-CYL-EZM-HX	Hex louver Reduce the glare of the light source and luminaire	
AE-CYL-EZM-HXSNT	Hex louver Reduce the glare of light source while using a snoot to control the light beam direction	
AE-CYL-EZM-SNT-BK	Black Snoot Control the direction and radius of the light beam	
AE-CYL-EZM-SNT-WH	White Snoot Control the direction and radius of the light beam	
AE-CYL-EZM-SNT-SV	Silver Snoot Control the direction and radius of the light beam	
AE-CYL-EZM-SNT-RALXXX	Custom color Snoot Control the direction and radius of the light beam	
AE-CYL-EZM-PIN-BK	Black Pinhole Plate to reduce the beam angle of the Eleganza Max	
AE-CYL-EZM-PIN-WH	White Pinhole Plate to reduce the beam angle of the Eleganza Max	
AE-CYL-EZM-PIN-SV	Silver Pinhole Plate to reduce the beam angle of the Eleganza Max	
AE-CYL-EZM-GLOW	Glowing ring Emits a light ring at the base of the cylinder	

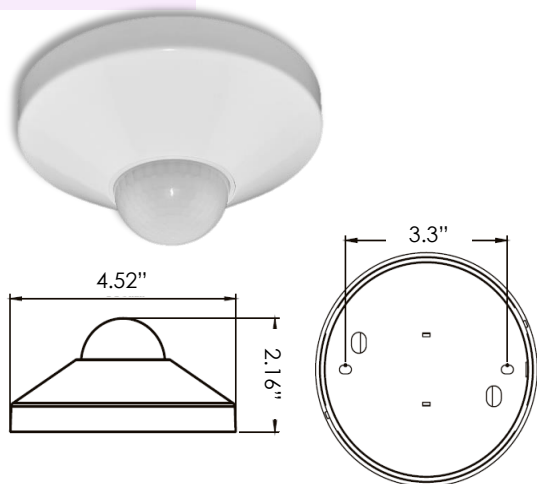
Cylinder LED Light

Architectural Round Cylinder | 4" Aperture | 12" Height

ROOM OCCUPANCY SENSOR

Ordered separately, field installed

PART NUMBER	DESCRIPTION
AE-CT-DT806	Detecta - Room Occupancy Sensor
RC102	RC102 Remote Control



SPECIFICATIONS		
Input Voltage	120-277 Vac	
Power Frequency	50/60HZ	
Rated Load	At 120 Vac	800W
	At 277 Vac	1200W
Detection Range	3-10 Meters	
	9.8-32.75 Feet	
Standby Power	~0.9W	
Time Setting	10 sec to 30 min	
Light Control	10-2,000LUX	
Installation	Ceiling Mounted	

DIMMER COMPATIBILITY LIST

TRIAC/ELV Dimming

Brand	Model	Brand	Model
LUTRON	SLV-600X	LEVITON	6602-X
	S2-LX		6681-X
	GL-600H		6683-X
	NFTU-5A		6684-X
	DVLV-600P		700-X
COOPER	9530XXX		705-X
LIGHTOLIER	MP600X		6633
ADVANCE	SR150LED120		6674
			IPI06-1LZ

0-10V Dimming

Brand	Model
LUTRON, NOVA SERIES	NFTV
LUTRON, DIVA SERIES	DVTV
LEVITON, ILLUMATECH SERIES	IP710-DL

Cylinder LED Light

Architectural Round Cylinder | 4" Aperture | 12" Height

LUMEN ESTIMATE

Lumen output varies based on CCT and CRI. An estimate of lumen output of the various CCT/CRI combinations, use correction factors as per table below:

LUMEN ESTIMATE ADJUSTMENT FACTORS

CCT	2700K	3000K	3500K	4000K
90CRI	0.78	0.86	0.93	0.93

PHOTOMETRIC DATA

PART NUMBER		ZONAL LUMEN SUMMARY			POLAR LUMINOUS INTENSITY	CONE DISTRIBUTION			
AE-TL-EZM-50R12		Zone	Lumens	% Fixture	Direct Light	Center Beam Fc	Beam Width		
Wattage	50W	0-20°	2357.92	76.70		1.7ft	7782 fc	0.4 ft	0.4 ft
CCT	3000K	0-30°	2755.97	89.70		3.3ft	2065 fc	0.9 ft	0.9 ft
Distribution	15°	0-40°	2901.03	94.40		5.0ft	900 fc	1.3 ft	1.3 ft
		0-60°	2996.00	97.50		6.7ft	501 fc	1.7 ft	1.8 ft
		0-80°	3017.73	98.20		8.3ft	326 fc	2.2 ft	2.2 ft
		0-90°	3025.38	98.40		10.0ft	225 fc	2.6 ft	2.6 ft
						■ Vert. Spread: 14.8° ■ Horiz. Spread: 15.0°			

PART NUMBER		ZONAL LUMEN SUMMARY			POLAR LUMINOUS INTENSITY	CONE DISTRIBUTION			
AE-TL-EZM-50R12		Zone	Lumens	% Fixture	Direct Light	Center Beam Fc	Beam Width		
Wattage	50W	0-20°	1908.80	60.40		1.7ft	2699 fc	1.0 ft	1.0 ft
CCT	3000K	0-30°	2702.14	85.50		3.3ft	716 fc	2.0 ft	2.0 ft
Distribution	30°	0-40°	2968.68	93.90		5.0ft	312 fc	3.1 ft	3.1 ft
		0-60°	3080.04	97.50		6.7ft	174 fc	4.1 ft	4.1 ft
		0-80°	3106.04	98.30		8.3ft	113 fc	5.1 ft	5.1 ft
		0-90°	3113.24	98.50		10.0ft	78 fc	6.2 ft	6.2 ft
						■ Vert. Spread: 34.2° ■ Horiz. Spread: 34.3°			

PART NUMBER		ZONAL LUMEN SUMMARY			POLAR LUMINOUS INTENSITY	CONE DISTRIBUTION			
AE-TL-EZM-50R12		Zone	Lumens	% Fixture	Direct Light	Center Beam Fc	Beam Width		
Wattage	50W	0-20°	1672.46	52.90		1.7ft	1973 fc	1.4 ft	1.3 ft
CCT	3000K	0-30°	2600.35	82.20		3.3ft	524 fc	2.6 ft	2.6 ft
Distribution	40°	0-40°	2945.16	93.10		5.0ft	228 fc	4.0 ft	3.9 ft
		0-60°	3080.05	97.40		6.7ft	127 fc	5.3 ft	5.3 ft
		0-80°	3107.15	98.20		8.3ft	82.8 fc	6.6 ft	6.5 ft
		0-90°	3114.76	98.50		10.0ft	57 fc	8.0 ft	7.9 ft
						■ Vert. Spread: 43.4° ■ Horiz. Spread: 43.0°			

PART NUMBER		ZONAL LUMEN SUMMARY			POLAR LUMINOUS INTENSITY	CONE DISTRIBUTION			
AE-TL-EZM-50R12		Zone	Lumens	% Fixture	Direct Light	Center Beam Fc	Beam Width		
Wattage	50W	0-20°	861.74	30.70		1.7ft	906 fc	2.0 ft	2.0 ft
CCT	3000K	0-30°	1613.16	57.50		3.3ft	240 fc	3.9 ft	3.9 ft
Distribution	55°	0-40°	2256.68	80.50		5.0ft	105 fc	5.9 ft	5.9 ft
		0-60°	2710.38	96.70		6.7ft	58.3 fc	7.8 ft	7.9 ft
		0-80°	2748.59	98.00		8.3ft	38 fc	9.7 ft	9.8 ft
		0-90°	2756.30	98.30		10.0ft	26.2 fc	11.7 ft	11.8 ft
						■ Vert. Spread: 60.7° ■ Horiz. Spread: 61.0°			

Cylinder LED Light

Architectural Round Cylinder | 4" Aperture | 12" Height

OVERVIEW



Innovative Design

- Aluminum die cast housing for better heat dissipation.
- Improved design extends LED and driver lifespan.



Multiple Options

- 15W power | 1,200 Lumens; Can be tuned down to 19W
- Variety of beam angles.
- Three CCTs available.
- Black, white, and silver finishes.



Mountings Options

- Surface mount.
- Stem mount; 1', 2', 3', and 4' (0.5" thickness).
- Pendant cord mount; adjustable 1-12' cord.



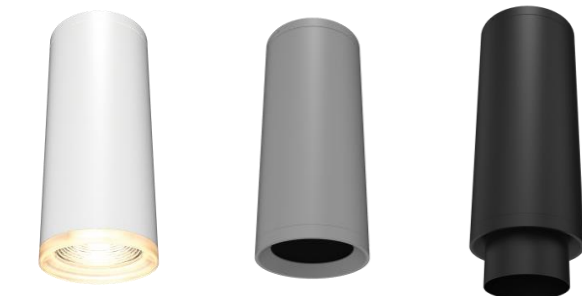
Feature

- Customized color
- Tunable Power down to 19W | 1387 lm upon request



Accessories

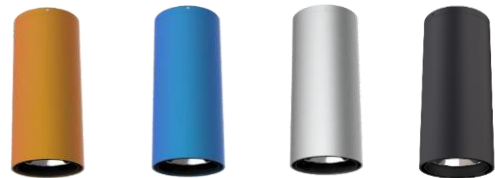
- Hex louver
- Glowing ring
- Snoot available in different finishes



Glowing Ring

Hex Louver

Snoot



Tests And Certifications

