

ETNA

OUTDOOR PRODUCTS

Outdoor wall pack light



eralux®



The ETNA is the traditional wall pack enhanced with progressive led technologies, photocell, among others. The wall pack delivers up to 120 LPW in a variety of power and CCT options. The ETNA comes with a CCT/Power switchable capability. It is heavy-duty aluminum die cast housing, is fully sealed to be dirt proof and proven to withstand the outdoor elements. The ETNA is the living proof where performance can be found in long standing traditional products.

DATE	
PROJECT NAME	
TYPE	
QTY	
ORDERING CODE	AE-WP-ET- -TCP -CA - -

OPERATING & ELECTRICAL

INPUT VOLTAGE	120-347V
POWER FACTOR	0.9
DIMMING	0-10V external dimming down to 10%
TOTAL HARMONIC DISTORTION (THD)	<20%

PERFORMANCE

LUMENS PER WATT	120 LPW at 70CRI
POWER	120/100/80W 60/50/40w
BEAM ANGLE	70° x 110°

MECHANICAL & HOUSING

HOUSING	Aluminum die cast housing for superior heat dissipation, strength, and rigidity.
LENS	UV resistant, shatterproof glass lens ensures high efficiency light output for a clean, evenly illuminated surface with minimal glare. High transmittance lens allowing for a smooth, diffused light pattern.
FINISH	Powder coat finish for the toughest outdoor conditions. Available in black, bronze and white color options.
POWER SUPPLY	Factory wired electronic LED driver
LED BOARD	Light emitted source

APPLICATION CONDITION

AMBIENT TEMPERATURE RANGE	-40°C to 40°C
OPERATING TEMPERATURE	-40°C to 70°C
PROTECTION	Wet location

COMPATIBLE MOUNTING

MOUNTING	Surface, wall mounted
----------	-----------------------

WARRANTY

SYSTEM WARRANTY – 5 YEARS

Eralux will warrant defective drivers, LEDs and boards for 5 years from the date of purchase. This warranty is valid only if the fixture is installed and used as per installation guides and specifications. If a defect is present, Eralux will send drivers and boards at no fee with a thorough replacement instructions along with instructions on the return of the defective parts back to Eralux.

LUMEN MAINTENANCE – L85 at 50,000 hours

Rated for 85% initial lumen output at 50,000 hours of operation, operated at 25°C ambient temperature; per guidelines published by the Illuminating Engineering Society (IES)



"DesignLights Consortium® (DLC) qualified product. Not all versions of this product may be DLC qualified. Please check the DLC Qualified Products List at www.designlights.org/QPL to confirm which versions are qualified"

DATE					
PROJECT NAME					
TYPE					
QTY					
ORDERING CODE	AE-WP-ET-		-TCP	-CA	-

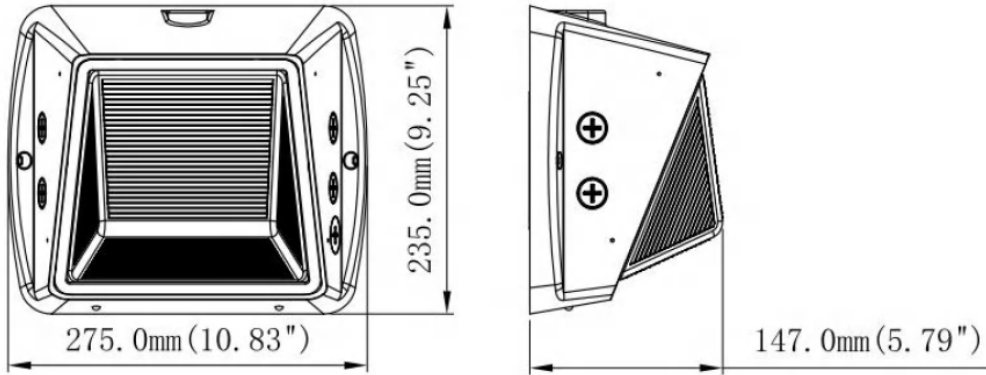
ORDERING GUIDE

EXAMPLE: AE-WP-ET-120W-TCP-CA-D-BK

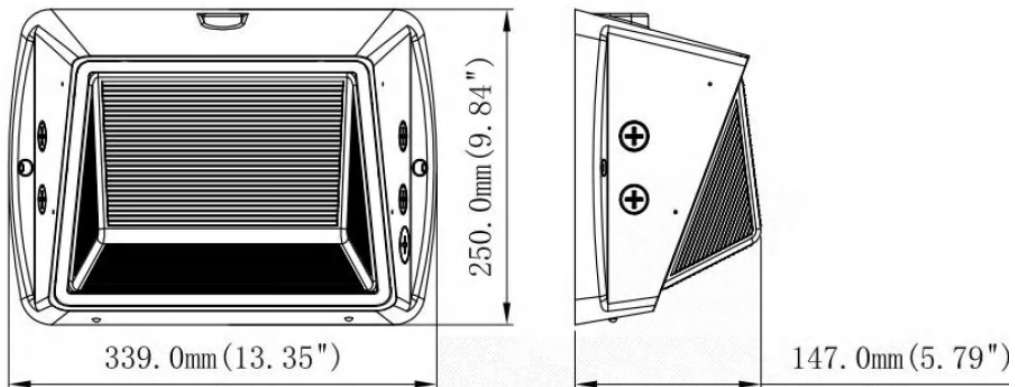
FIXTURE FAMILY	POWER	CCT	VOLTAGE	CONTROLS	FINISH
AE-WP-ET-		-TCP	-CA	-	-
AE-WP-ET- ERALUX ETNA Series outdoor wall pack light fixture	-60W Power Switchable 60/50/40W	-TCP 30/40/50k CCT Switchable	-CA 120-347V	-D 0-10V external dimming down to 10%	-BK Black powder coat finish
	-120W Power Switchable 120/100/80W			-P Photocell	-BZ Bronze powder coat finish
				-EM Emergency battery back up	-WH White powder coat finish

PRODUCT DIMENSIONS

AE-WP-ET-60W-CA-TCP-D-BK



AE-WP-ET-60W-CA-TCP-D-BK



DATE					
PROJECT NAME					
TYPE					
QTY					
ORDERING CODE	AE-WP-ET-		-TCP	-CA	-

ACCESSORIES

EMERGENCY LED DRIVER (Comes with exterior junction box)

EMQ- 15300DO- HY

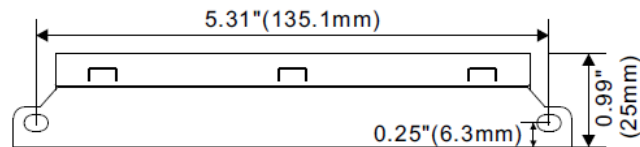
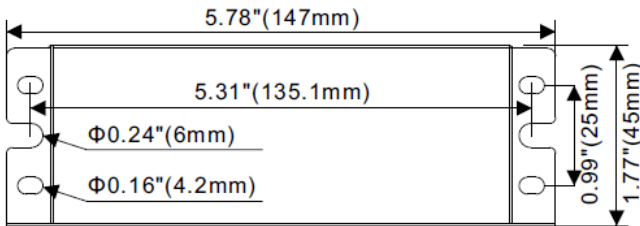
OUTPUT POWER : 15W

SPECIFICATION	
INPUT VOLTAGE	100-347Vac
INPUT CURRENT	100mA max
RECHARGE TIME	24Hrs
DISCHARGE TIME	1.5H
EMERGENCY POWER	15W



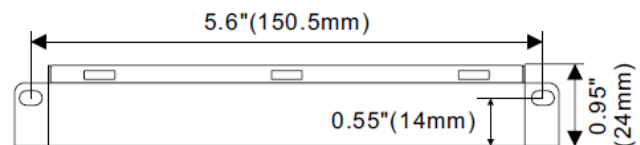
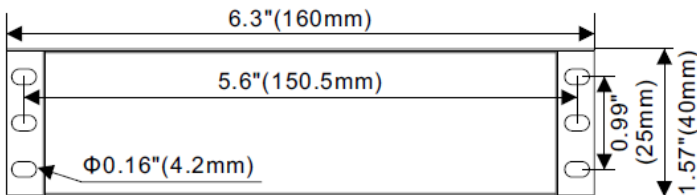
Introducing a UL-listed emergency lighting solution for the US and Canada, featuring high output voltage, self-testing, and overcharge/discharge protection. Compliant with UL924 and CSA C22.2 NO.141, it's suitable for field or factory installation and integrates seamlessly with LED drivers. With low energy consumption and Title20 compliance, it offers 8W emergency power options, a quick 24-hour recharge time, and 1.5-hour discharge time.

DRIVER DIMENSIONS



BATTERY DIMENSIONS

8/15W VERSION



DATE						
PROJECT NAME						
TYPE						
QTY						
ORDERING CODE	AE-WP-ET-		-TCP	-CA	-	-

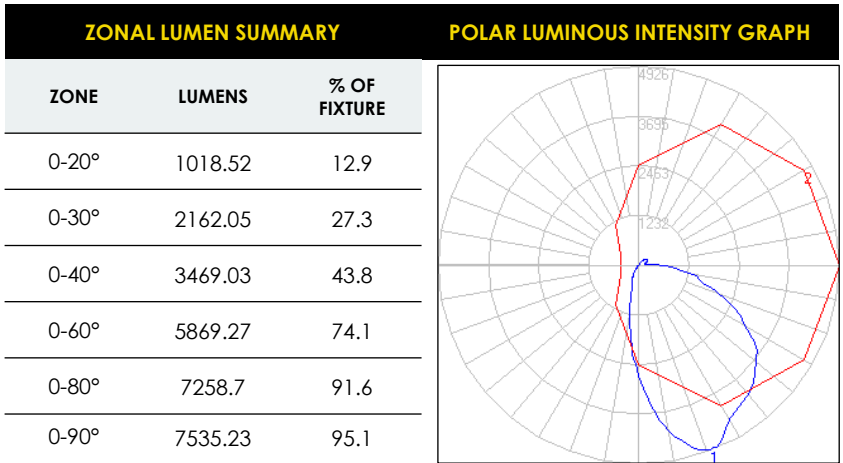
LUMEN ESTIMATE

Lumen output varies based on CCT and CRI. An estimate of lumen output of the various CCT/CRI combinations, use correction factors as per table below:

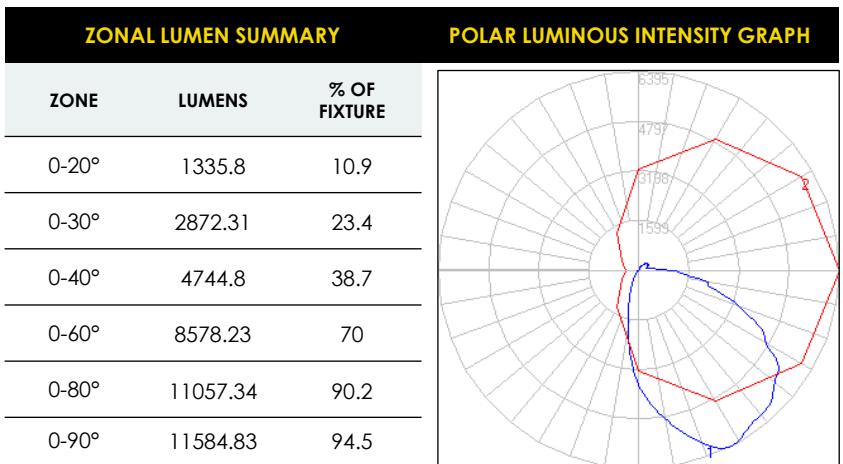
LUMEN ESTIMATE ADJUSTMENT FACTORS

CCT	3000K	4000K	5000K
NORMAL (70CRI)	0.94	0.97	1

AE-WP-ET-60W-CA-TCP-X-XX
4000K CCT
60 WATTS



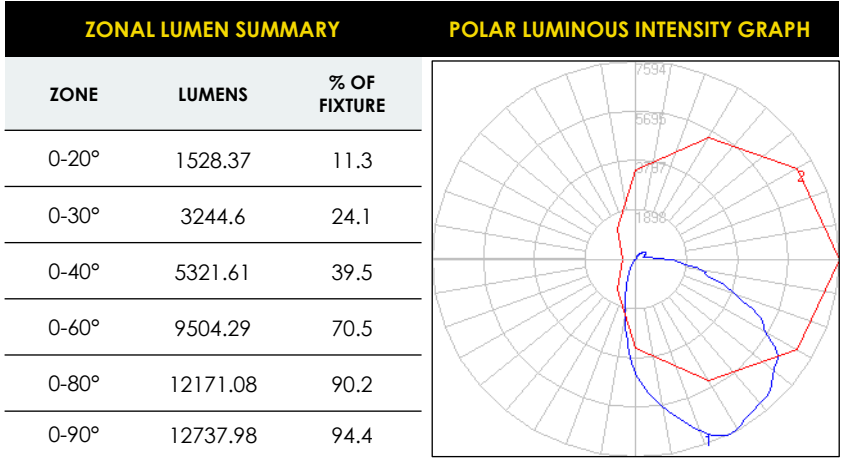
AE-WP-ET-80W-CA-TCP-X-XX
4000K CCT
80 WATTS



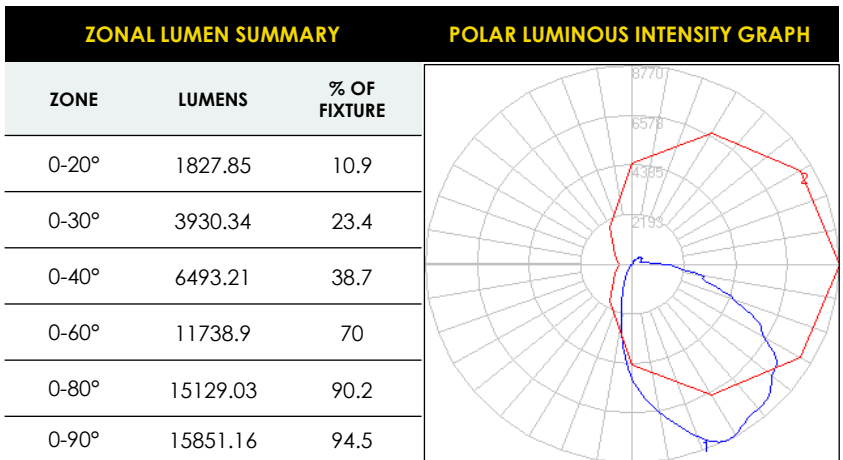
DATE	
PROJECT NAME	
TYPE	
QTY	
ORDERING CODE	AE-WP-ET- -TCP -CA - -

LUMEN ESTIMATE

AE-WP-ET-100W-CA-TCP-X-XX
4000K CCT
100 WATTS



AE-WP-ET-120W-CA-TCP-X-XX
4000K CCT
120 WATTS



DLC MODELS

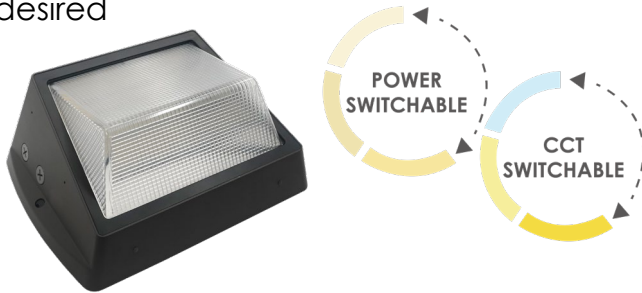
DLC MODELS	PRODUCT ID
AE-WP-ET-120W-TCP-CA[Blank, (PT), (MS)]-D-[BZ, BK, WH]	S-BXH31X
AE-WP-ET-60W-TCP-CA[Blank, (PT), (MS)]-D-[BZ, BK, WH]	S-TWX7ZR

DATE						
PROJECT NAME						
TYPE						
QTY						
ORDERING CODE	AE-WP-ET-		-TCP	-CA	-	-

OVERVIEW

PERFORMANCE

Comes with Three modes of CCT to choose from to set surroundings as desired



GLASS LENS

UV resistant, shatterproof glass lens ensures high efficiency light output for an evenly illuminated surface.



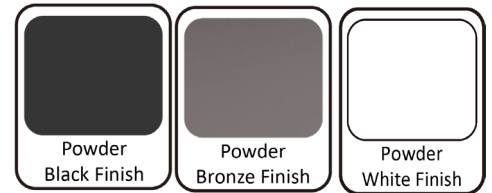
PREMIUM MATERIALS

Aluminum die-cast housing for superior heat dissipation and fixture structural strength.



MULTIPLE FINISHES

Comes in Black and Bronze finish.



Accessoires

Comes with Photocell or EMBB with an IP65 exterior junction Box.

