

EXITA SERIES

EMERGENCY LIGHTING

EXITA-2231

The EXITA-2231 is the Thermoplastic Running Man Sign exit light from ERALUX. This exit light comes standard for mounting either on ceiling, wall or even for side installations. It also comes standard with three pictograms that be can changed in the field to offer versatility to the installation process.



eralux®



DATE	
PROJECT NAME	
TYPE	
QTY	
ORDERING CODE	F2231CA

OPERATING & ELECTRICAL

INPUT VOLTAGE 120-347 Vac

MAX INPUT CURRENT 80 mA

PERFORMANCE

CCT 5700-7200K

POWER CONSUMPTION 4.5 W

RUN TIME ON BATTERY 120 min

MECHANICAL & HOUSING

HOUSING UV Stabilized Thermoplastic

FINISH White

POWER SUPPLY Factory wired electronic LED driver

APPLICATION CONDITION

AMBIENT TEMPERATURE RANGE 0 °C to 40°C

COMPATIBLE MOUNTING

INSTALLATION Surface, Wall or End installation

WARRANTY

SYSTEM WARRANTY 2 years

RECOMMENDED BATTERY REPLACEMENT 4 years

APPROVALS

UL Certified to C22.2 #141

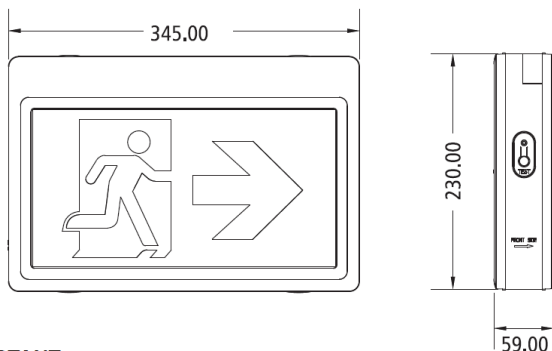
ORDERING CODE

F2231CA

FIXTURE FAMILY

F2231CA
ERALUX emergency exit sign

PRODUCT DIMENSIONS



OPTANT

EXITA SERIES

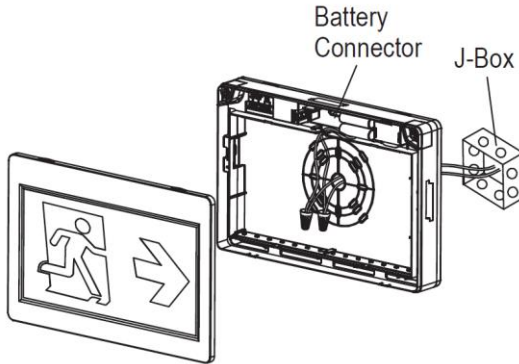
EMERGENCY LIGHTING

EXITA-2231

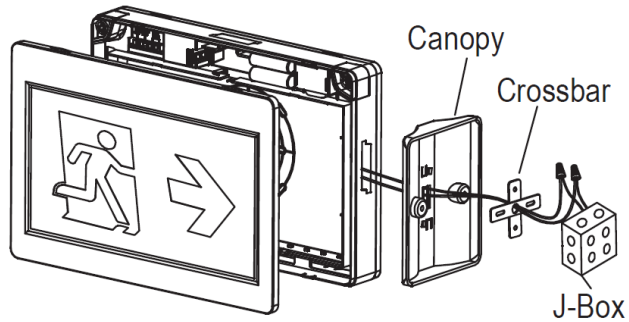
DATE	
PROJECT NAME	
TYPE	
QTY	
ORDERING CODE	F2231CA

VERSATILITY

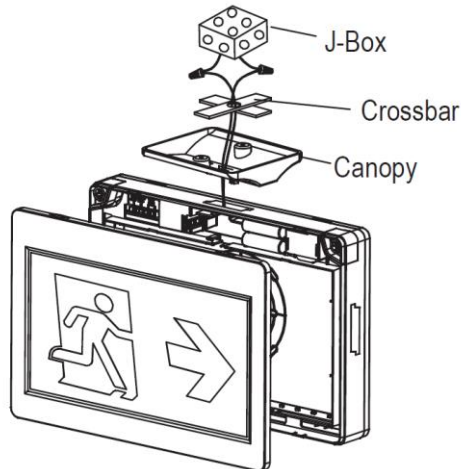
Wall Mounting



Side Mounting



Ceiling Mounting



EXITA SERIES

EMERGENCY LIGHTING

EXITA-2231

DATE	
PROJECT NAME	
TYPE	
QTY	
ORDERING CODE	F2231CA

OVERVIEW



→ Test Switch

Side View



Special French Pictogram

INPUT	AC120-347V/60Hz
INPUT POWER	4.5 W
EMERGENCY POWER	3 W
CCT	5700-7200K Overcharge/Over-discharge protection
EMERGENCY DURATION	≥ 2 Hours
CHARGE TIME	≤24 Hours High performance, Ni-Cad Battery Test Switch
HOUSING MATERIAL	UV Stabilized Thermoplastic
UNIVERSAL MOUNTING	Ceiling, Wall, End mount Suitable for Damp location
CONFIGURATIONS	Single or Double Face Comes standard with 3 pictograms

