

EXITA SERIES

EMERGENCY LIGHTING

EXITA CR-7111SR



eralux®



The CR-7111SR has long life high intensity LEDs, it is encased in a fire-resistant thermoplastic ABS housing, while performing in damp locations. It designed for outdoor applications, and suitable for wet locations. It can be single or double face with red letters. And it comes with two lamp heads 1.2W each

DATE

PROJECT NAME

TYPE

QTY

ORDERING CODE

CR-7111SR

OPERATING & ELECTRICAL

INPUT VOLTAGE 120/277 Vac

INPUT RATING 2W, 150mA

PERFORMANCE

POWER CONSUMPTION 2W

RUN TIME ON BATTERY 90 mins

LAMP HEADS POWER 2.4W

MECHANICAL & HOUSING

HOUSING Injection-molded Thermoplastic ABS
UL-94-V0 flame-retardant
fire-resistant

FINISH Powder Coated White

POWER SUPPLY Factory wired electronic LED driver

APPLICATION CONDITION

AMBIENT TEMPERATURE RANGE 0 °C to 40°C

COMPATIBLE MOUNTING

MOUNTING Wall
End
Ceiling

WARRANTY

SYSTEM WARRANTY 2 years

RECOMMENDED BATTERY REPLACEMENT 2 years

APPROVALS

Certification UL-924 for Wet Locations
NFPA 101 Life Safety Code
NEC
OSHA
CEC Title 20 Compliant
IP65 Protection

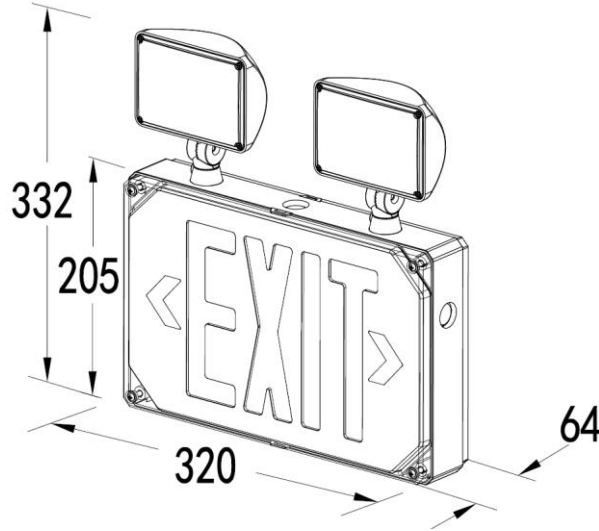
EXITA SERIES

EMERGENCY LIGHTING

EXITA CR-7111SR

DATE	
PROJECT NAME	
TYPE	
QTY	
ORDERING CODE	CR-7111SR

PRODUCT DIMENSIONS

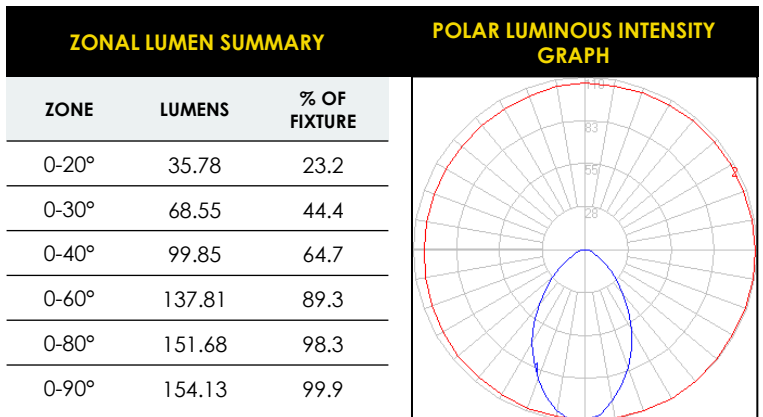


ORDERING CODE

FIXTURE FAMILY	
CR-7111SR	
CR-711SR	ERALUX EMERGENCY EXIT SIGN WET LOCATION RED COLORED LETTER SINGLE/DOUBLE FACE

PHOTOMETRIC DATA

CR-7111SR



EXITA SERIES

EMERGENCY LIGHTING

EXITA CR-7111SR

DATE	
PROJECT NAME	
TYPE	
QTY	
ORDERING CODE	CR-7111SR

OVERVIEW

MULTIPLE MOUNTING

It comes with three different mounting types. It can be installed on wall, on end, or on ceiling.



BATTERY PERFORMANCE

The battery is made of 3.6V NiCad material and it is maintenance free. Its charging time is 24 hours, and it lasts for 90 minutes.

CONFIGURATIONS

Universal field-selectable single/double-face, with fully illuminated 6" with universal red letter.

VALUE ENGINEERED DESIGN

The housing is made of injection-molded thermoplastic ABS to provide safety against flame and fire.

TWO LAMP HEADS

Each head contains 12PCS 0.1W to provide total 2.4W.

IP65 PROTECTION

This exit sign is wet protected; thus, it is suitable for outdoor applications.