

EXITA SERIES

EMERGENCY LIGHTING

EXITA-Z1102U



eralux[®]



Encased in thermoplastic ABS housing, the EXITA-Z1102U is a double LED remote head built to handle tough emergency situations. Capable of performing in damp conditions. Equipped with high impact thermoplastic, with an ultra bright SMD LED (2W). The adjustable swivels lock the head in flexible positions. Able to surface or wall mount. EXITA-Z1102U is a great choice for functionality and flexibility in emergency situations.

DATE	
PROJECT NAME	
TYPE	
QTY	
ORDERING CODE	Z1102U

OPERATING & ELECTRICAL

INPUT VOLTAGE DC 3.6-24V

INPUT CURRENT DC3.6V:550-620mA
DC12V:290-330mA
DC24V:160-200mA

PERFORMANCE

CCT 6000-6500K

POWER CONSUMPTION 3.6V/H:1.8-2.2W
12V/H:3.6-4.2W
24V/H:3.6-4.4W

MECHANICAL & HOUSING

HOUSING Injection-molded Thermoplastic ABS housing

FINISH White

APPLICATION CONDITION

AMBIENT TEMPERATURE RANGE 0 to 40°C

COMPATIBLE MOUNTING

INSTALLATION Ceiling and wall mount

MAX MOUNTING HEIGHT 13.8ft

WARRANTY

SYSTEM WARRANTY – 5 YEARS

Eralux will warrant defective drivers, LEDs and boards for 5 years from the date of purchase. This warranty is valid only if the fixture is installed and used as per installation guides and specifications. If a defect is present, Eralux will send drivers and boards at no fee with a thorough replacement instructions along with instructions on the return of the defective parts back to Eralux.

APPROVALS

Certification Standards: UL-924

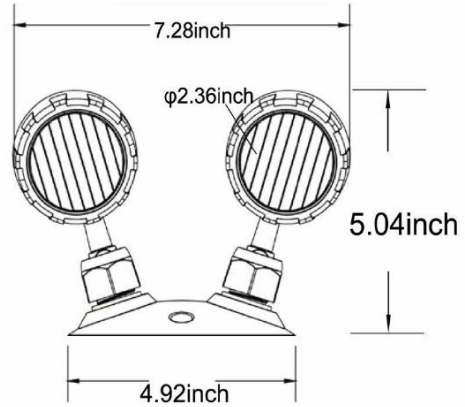
EXITA SERIES

EMERGENCY LIGHTING

EXITA-Z1102U

DATE	
PROJECT NAME	
TYPE	
QTY	
ORDERING CODE	Z1102U

DIMENSIONS



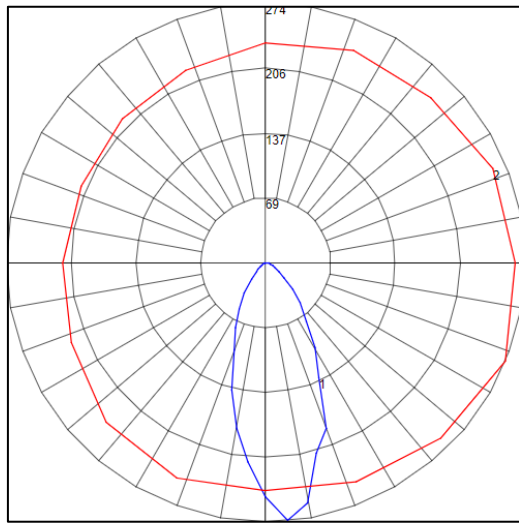
ORDERING CODE

Z1102U
FIXTURE FAMILY
Z1102U ERALUX emergency LED remote head

PHOTOMETRIC DATA

EXITA-Z1102U

POLAR LUMINOUS INTENSITY GRAPHS



EXITA SERIES

EMERGENCY LIGHTING

EXITA-Z1102U

DATE	
PROJECT NAME	
TYPE	
QTY	
ORDERING CODE	Z1102U

OVERVIEW



INPUT	DC 3.6V-24V
INPUT CURRENT	DC3.6V : 550-620mA DC12V : 290-330mA DC24V : 160-200mA
CCT	6000K-6500K Suitable for Damp Conditions

Operating Temperature	0 to 40°C
HOUSING MATERIAL	Injection-molded Thermoplastic ABS housing and Iron
MAX MOUNTING HEIGHT	13.8 FT
UNIVERSAL MOUNTING	Ceiling, Wall Mount
PCB TYPE	CEM-1 1.6mm_Aluminum plate 1.6MM



Front View



Side View