

# EXITA SERIES

## EXIT/EMERGENCY LED LIGHTING

### Remote Units

The EXITA LED remote heads are built to handle tough emergency situations. Capable of performing in damp conditions. Equipped with high impact thermoplastic and iron, and ultra bright LED heads up to 150W. The EXITA remote units are a great choice for functionality and flexibility in emergency situations.

Application: Stairwells | Hallways | Offices | Commercial Spaces

	DATE	QTY	ACC. QTY	TYPE
PROJECT				
PN				
NOTES				

## EXITA SERIES – REMOTE UNITS

Part #	Z1101U	Z1102U
Picture		
Part #	CR-7061-150W	Z2172U-N
Picture		
Part #	CR-7090	
Picture		

#### SPECIFICATIONS

<b>Input Voltage</b>	3.6-24V
<b>Power Factor</b>	>0.9
<b>Total Harmonic Distortion</b>	<20%
<b>Power</b>	2 W
<b>Combo Head</b>	Fully adjustable
<b>Housing</b>	Injection-molded thermoplastic ABS and iron
<b>Finish</b>	White
<b>Ambient Temperature Range</b>	0 °C to 40°C
<b>Mounting Options</b>	Wall   Ceiling
<b>Max Mounting Height</b>	10.8ft
<b>Application</b>	Damp location
<b>Protections</b>	Flame retardant   Fire resistant
<b>Compliant</b>	UL-924



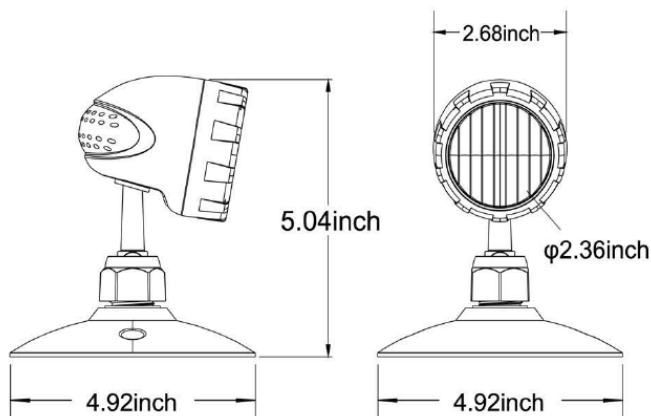
#### PRODUCT CERTIFICATIONS



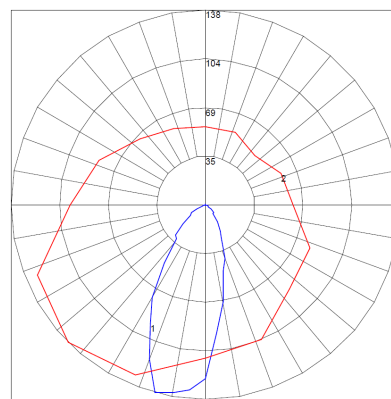
#### SYSTEM WARRANTY – 5 YEARS

Eralux will warrant defective drivers, LEDs and boards for 5 years from the date of purchase. This warranty is valid only if the fixture is installed and used as per installation guides and specifications. If a defect is present, Eralux will send drivers and boards at no fee with a thorough replacement instructions along with instructions on the return of the defective parts back to Eralux.

#### DIMENSIONS



#### PHOTOMETRIC DATA



#### SPECIFICATIONS

<b>Input Voltage</b>	3.6-24V
<b>Power Factor</b>	>0.9
<b>Total Harmonic Distortion</b>	<20%
<b>Power</b>	2 W per head (4W total)
<b>Combo Head</b>	Fully adjustable
<b>Housing</b>	Injection-molded thermoplastic ABS and iron
<b>Finish</b>	White
<b>Ambient Temperature Range</b>	0 °C to 40°C
<b>Mounting Options</b>	Wall   Ceiling
<b>Max Mounting Height</b>	13.8ft
<b>Application</b>	Damp location
<b>Protections</b>	Flame retardant   Fire resistant
<b>Compliant</b>	UL-924



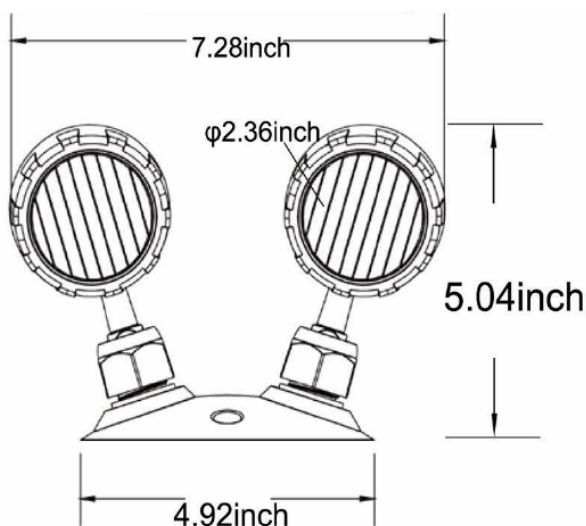
#### PRODUCT CERTIFICATIONS



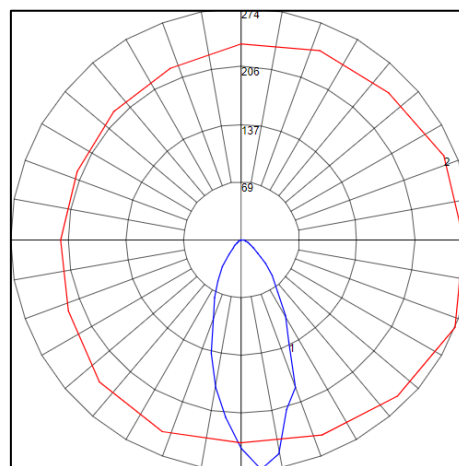
#### SYSTEM WARRANTY – 5 YEARS

Eralux will warrant defective drivers, LEDs and boards for 5 years from the date of purchase. This warranty is valid only if the fixture is installed and used as per installation guides and specifications. If a defect is present, Eralux will send drivers and boards at no fee with a thorough replacement instructions along with instructions on the return of the defective parts back to Eralux.

#### DIMENSIONS



#### PHOTOMETRIC DATA



#### SPECIFICATIONS

<b>Input Voltage</b>	120-277/347V
<b>Power Factor</b>	>0.9
<b>Total Harmonic Distortion</b>	<20%
<b>Power</b>	150W total power
	6W combo head (12W total)
	138W remote capability
<b>Combo Head</b>	Fully adjustable
<b>Housing</b>	18 Gauge steel housing
<b>Finish</b>	White
<b>Ambient Temperature Range</b>	0 °C to 40°C
<b>Mounting Options</b>	Wall   Ceiling
<b>Charging Time</b>	24 hour
<b>Battery</b>	12V-14AH Sealed Lead-acid
<b>Application</b>	Damp location
<b>Remote Capability</b>	150W at 30min battery backup time 50W at 90min battery backup time 36W at 120min battery backup time
<b>Protections</b>	Flame retardant   Fire resistant
<b>Compliant</b>	UL-924 list for damp location NFPA 101 Life Safety Code NEC OSHA CSA C22.2 No. 141-15 performance certified



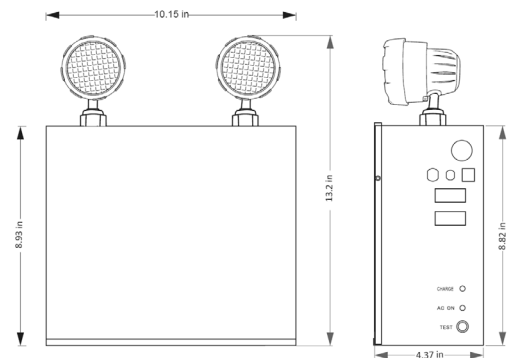
#### PRODUCT CERTIFICATIONS



#### SYSTEM WARRANTY – 2 YEARS

Eralux will warrant defective drivers, LEDs and boards for 2 years from the date of purchase. This warranty is valid only if the fixture is installed and used as per installation guides and specifications. If a defect is present, Eralux will send drivers and boards at no fee with a thorough replacement instructions along with instructions on the return of the defective parts back to Eralux.

#### DIMENSIONS



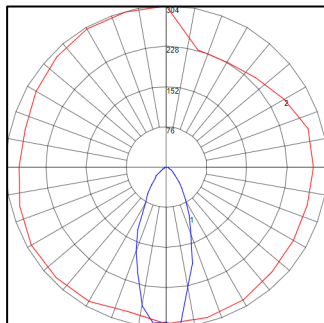
#### PHOTOMETRIC DATA

PART NUMBER		ZONAL LUMEN SUMMARY			POLAR LUMINOUS INTENSITY
CR-7061		Zone	Lumens	% Fixture	Direct Light
<b>Wattage</b>	12W	0-20°	96.57	10.2	
<b>CCT</b>	5000K	0-30°	247.08	26.1	
<b>Distribution</b>	40°Hx110°V	0-40°	452.05	47.7	
<b>Combo Heads</b>		0-60°	778.62	82.1	
		0-80°	906.88	95.7	
		0-90°	932.55	98.4	

#### SPECIFICATIONS

<b>Input Voltage</b>	120-277/347 V
<b>Power Factor</b>	>0.9
<b>Total Harmonic Distortion</b>	<20%
<b>Power</b>	75W total power
	2W combo head (4W total)
	73W remote capability
<b>Combo Head</b>	Fully adjustable
<b>Housing</b>	Steel frame
<b>Finish</b>	White
<b>Ambient Temperature Range</b>	10 °C to 40°C
<b>Mounting Options</b>	Wall mount
<b>Charging Time</b>	24 hours
<b>Discharging Time</b>	120 min
<b>Battery</b>	12V-7AH Sealed Lead-acid
<b>Application</b>	Damp location
<b>Remote Capability</b>	72W at 30min battery backup time
	27W at 90min battery backup time
	22W at 120min battery backup time
<b>Protections</b>	Flame retardant   Fire resistant
<b>Compliant</b>	UL-924

#### PHOTOMETRIC DATA



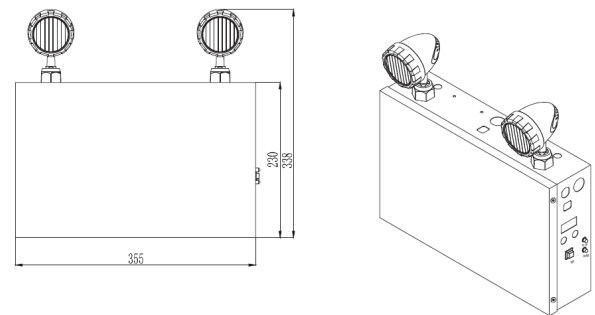
#### PRODUCT CERTIFICATIONS



#### SYSTEM WARRANTY – 5 YEARS

Eralux will warrant defective drivers, LEDs and boards for 5 years from the date of purchase. This warranty is valid only if the fixture is installed and used as per installation guides and specifications. If a defect is present, Eralux will send drivers and boards at no fee with a thorough replacement instructions along with instructions on the return of the defective parts back to Eralux.

#### DIMENSIONS



#### SPECIFICATIONS

<b>Input Voltage</b>	120/277 V
<b>Power Factor</b>	>0.9
<b>Total Harmonic Distortion</b>	<20%
<b>Power</b>	2x 2.4 W
<b>Combo Head</b>	Fully adjustable and rotatable
<b>Housing</b>	Injection-molded thermoplastic ABS
<b>Finish</b>	White
<b>Ambient Temperature Range</b>	0 °C to 40°C
<b>Mounting Options</b>	Wall mount Ceiling mount
<b>Charging Time</b>	24 hours
<b>Discharging Time</b>	90 minutes
<b>Battery</b>	3.6V NiCad
<b>Application</b>	Damp location
<b>Protections</b>	UL-94-V0 flame retardant Fire resistant
<b>Compliant</b>	UL-924 NFPA 101 Life Safety Code NEC OSHA CEC Title 20 Compliant



#### PRODUCT CERTIFICATIONS



#### SYSTEM WARRANTY – 2 YEARS

Eralux will warrant defective drivers, LEDs and boards for 2 years from the date of purchase. This warranty is valid only if the fixture is installed and used as per installation guides and specifications. If a defect is present, Eralux will send drivers and boards at no fee with a thorough replacement instructions along with instructions on the return of the defective parts back to Eralux.

#### DIMENSIONS

