

# F2 SERIES

## LINEAR SURFACE MOUNT, MUD AND SUSPENDED

Linear Architectural Lighting



eralux®



The F2 series is the surface mount linear architectural lighting fixture from ERALUX. The F2 Series offers the simplicity of installation for a fast and efficient delivery. It is further enhanced with the access to the led board, drivers and any other components from below. They are available in 4-, 6- and 8-feet lengths. The CCT switchable switch also enables a rapid change of lighting environment.

DATE	
PROJECT NAME	
<b>TYPE</b>	
QTY	
ORDERING CODE	AE-SF-F2- - -30/40/CCT - - -

### OPERATING & ELECTRICAL

INPUT VOLTAGE	120-277V
POWER FACTOR	0.9
DIMMING	1-10V
TOTAL HARMONIC DISTORTION (THD)	<20%

### PERFORMANCE

LUMENS PER FOOT	750lm/ft *For UGR 585lm/ft @85CRI
POWER	23W 31W 46W 61W
BEAM ANGLE	Lambertian

### MECHANICAL & HOUSING

HOUSING	Extruded aluminum
LENS	PC lens
FINISH	Nebula White Atomic Black Silver
POWER SUPPLY	Factory wired electronic LED driver
LED BOARD	LED Array

### APPLICATION CONDITION

AMBIENT TEMPERATURE RANGE	-20°C to 45°C
---------------------------	---------------

### COMPATIBLE MOUNTING

MOUNTING	Suspended Surface Mount
----------	----------------------------

### WARRANTY

**SYSTEM WARRANTY – 5 YEARS**

Eralux will warrant defective drivers, LEDs and boards for 5 years from the date of purchase. This warranty is valid only if the fixture is installed and used as per installation guides and specifications. If a defect is present, Eralux will send drivers and boards at no fee with a thorough replacement instructions along with instructions on the return of the defective parts back to Eralux.

**LUMEN MAINTENANCE – L85 at 50,000 hours**

Rated for 85% initial lumen output at 50,000 hours of operation, operated at 25°C ambient temperature; per guidelines published by the Illuminating Engineering Society (IES).

# F2 SERIES

LINEAR SURFACE MOUNT, MUD AND SUSPENDED

Linear Architectural Lighting

DATE	
PROJECT NAME	
<b>TYPE</b>	
QTY	
ORDERING CODE	AE-SF-F2- - -30/40/CCT - - -

## ORDERING GUIDE

EXAMPLE: AE-SF-F2-4-31-30/40/CCT-BK-SMT

FIXTURE FAMILY	LENGTH	POWER	CCT	LENS	FINISH	MOUNTING
<b>AE-SF-F2-</b>		<b>-</b>	<b>-30/40/CCT-</b>			<b>-</b>
<b>AE-SF-F2-</b> ERALUX F2 suspended linear architectural fixture	<b>3</b> 3 Feet	<b>-23</b> 23W-1,755 lumens	<b>-30/40/CCT-</b> CCT Switchable: 3000K/3500K/4000K	<b>[BLANK]</b>	<b>BK</b> Atomic Black Finish	<b>-SMT</b> Surface Mount *SMT comes with a 2FT power cord
	<b>4</b> 4 Feet	<b>-31</b> 31W-2,340 lumens			<b>WH</b> Nebula White Finish	<b>-AIR</b> Suspended fixture <b>Includes</b> <b>Suspension Kit</b> (AE-SF-F2- SUSPENSION-KIT-XX
	<b>6</b> 6 Feet	<b>-46</b> 46W-3,510 lumens			<b>UGR-</b> Low UGR Lens	<b>SV</b> Silver Finish
	<b>8</b> 8 Feet	<b>-61</b> 61W-4,680 lumens		<b>RALXXXX</b> Custom Colour		<b>-MUD</b> Bracket allowing fixture to be recessed in Gypsum

CAUTION: If there are multiple fixtures connected to the same 0-10V dimming line, a 0-10V controller must be considered to enable consistent dimming across the fixtures. Failure to do so will lead to inconsistent dimming and behaviors in the fixtures. Single switch is not recommended for controlling multiple fixtures simultaneously.

# F2 SERIES

LINEAR SURFACE MOUNT, MUD AND SUSPENDED

Linear Architectural Lighting

DATE	
PROJECT NAME	
TYPE	
QTY	
ORDERING CODE	AE-SF-F2- - -30/40/CCT - - -

## ORDERING GUIDE

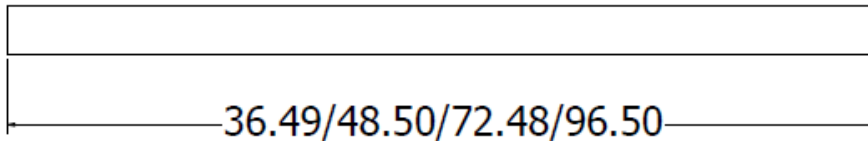
EXAMPLE: AE-SF-F2-L-90L-30/40/CCT-BK-SMT

FIXTURE FAMILY	SHAPE	CCT	LENS	FINISH	MOUNTING
<b>AE-SF-F2-</b>		<b>-30/40/CCT-</b>	<b>-UGR</b>		<b>-</b>
<b>AE-SF-F2-</b> ERALUX F2 suspended linear architectural fixture	<b>L-90L</b> L Shape 31W-2,340 lumens	<b>-30/40/CCT-</b> CCT Switchable: 3000K/3500K/4000K	<b>[BLANK]</b>	<b>BK</b> Atomic Black Finish	<b>-SMT</b> Surface Mount *SMT comes with a 2FT power cord
	<b>T-</b> T Shape 46W-3,510 lumens			<b>WH</b> Nebula White Finish	<b>-AIR</b> Suspended fixture <b>Includes Suspension Kit</b> (AE-SF-F2- SUSPENSION-KIT-XX
	<b>X-</b> X Shape 61W-4,680 lumens			<b>RALXXXX</b> Custom Colour	<b>-AIRLINK</b> Suspended fixture <b>Includes Link and Suspension Kit</b> (AE- SF-F2-LINK-KIT & AE-SF-F2-L-PTB- NPF-6-XX)*
					<b>-MUD</b> Bracket allowing fixture to be recessed in Gypsum

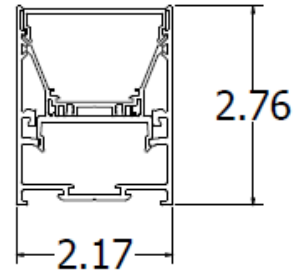
CAUTION: If there are multiple fixtures connected to the same 0-10V dimming line, a 0-10V controller must be considered to enable consistent dimming across the fixtures. Failure to do so will lead to inconsistent dimming and behaviors in the fixtures. Single switch is not recommended for controlling multiple fixtures simultaneously.

### PRODUCT DIMENSION

AE-SF-F2-3/4/6/8 FT



DIMENSIONS IN INCHES



# F2 SERIES

LINEAR SURFACE MOUNT, MUD AND SUSPENDED

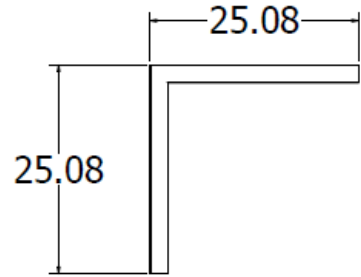
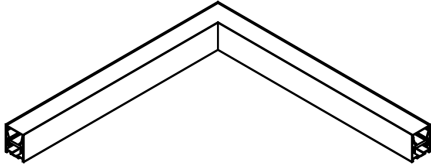
Linear Architectural Lighting

DATE	
PROJECT NAME	
TYPE	
QTY	
ORDERING CODE	AE-SF-F2- - -30/40/CCT - - -

## VARIOUS SHAPES

### L SHAPE

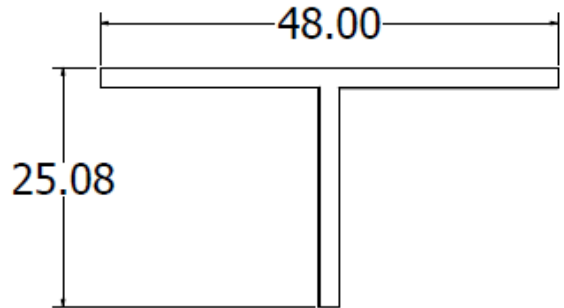
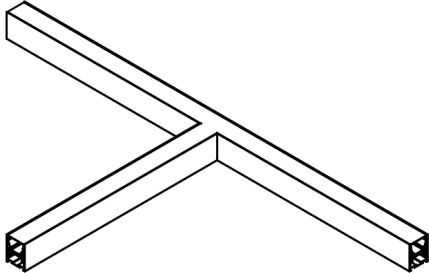
AE-SF-F2-L-90L-30/35/40/CCT-XX



DIMENSIONS IN INCHES

### T SHAPE

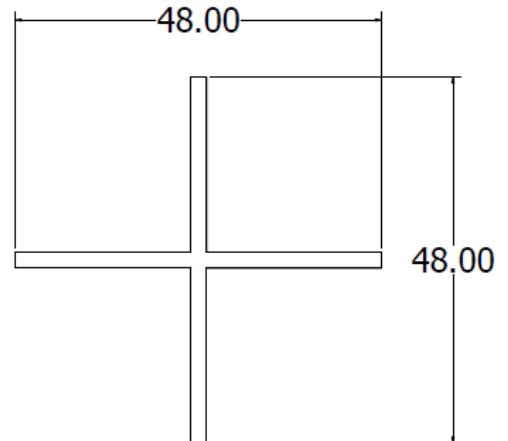
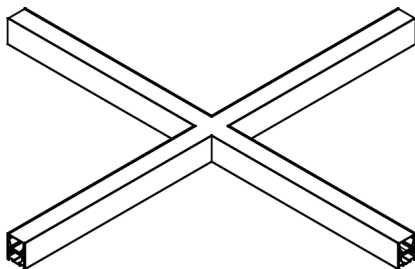
AE-SF-F2-T-30/35/40/CCT-XX



DIMENSIONS IN INCHES

### X SHAPE

AE-SF-F2-X-30/35/40/CCT-XX



DIMENSIONS IN INCHES

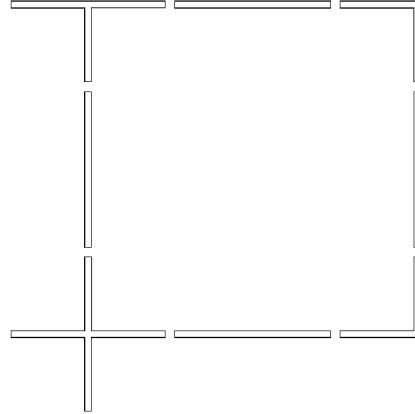
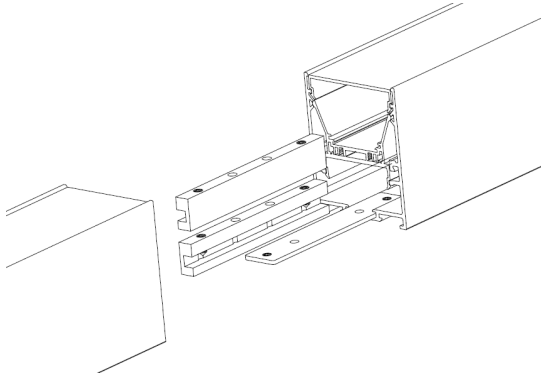
# F2 SERIES

LINEAR SURFACE MOUNT, MUD AND SUSPENDED

Linear Architectural Lighting

DATE	
PROJECT NAME	
<b>TYPE</b>	
QTY	
ORDERING CODE	AE-SF-F2- - -30/40/CCT - - -

## MULTIPLE FIXTURE ASSEMBLY



## ACCESSORIES

Ordered separately, field installed

PART NUMBER	DESCRIPTION	PICTURE
AE-SF-F2-LINK-KIT	Linkable mechanical and electrical accessories for continuous mounting	
AE-SF-F2-SUSPENSION-KIT-WH AE-SF-F2-SUSPENSION-KIT-BK	One set of canopies (2 pieces), 6FT powercord (1 piece) and 6FT suspension wire (2 pieces)	
AE-SF-F2-L-PTB-NPF-6-WH AE-SF-F2-L-PTB-NPF-6-BK	Canopy (1 piece), 6FT suspension wire (1 piece)	
AE-SF-L-DA	Rubber Diffuser Sucker and F2 Disassembly Tool	
AE-SF-F2-MUD-BKT	Mud Bracket for Recessed Gypsum Mount (2 pieces)	

# F2 SERIES

LINEAR SURFACE MOUNT, MUD AND SUSPENDED

Linear Architectural Lighting

## ACCESSORIES (Continued)

Ordered separately, field installed

### EMERGENCY LED DRIVER (BLD-YTXXD-XXX)

BLD-YT08D-XXX

BLD-YT15D-XXX

OUTPUT POWER : 8 WATTS

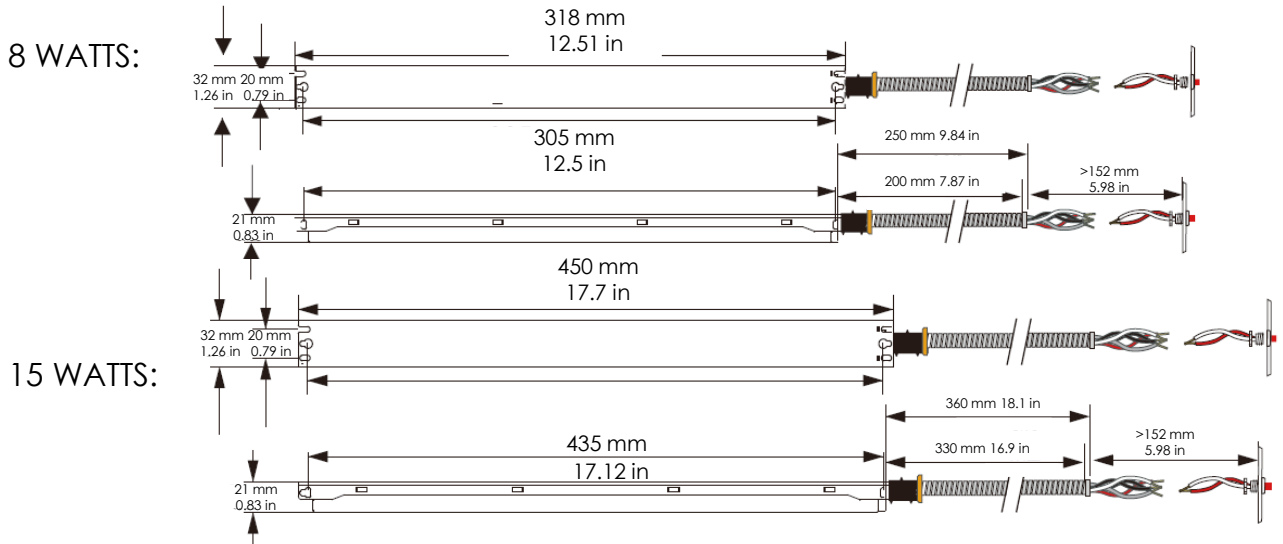
OUTPUT POWER : 15 WATTS



- Easy Wiring
- Certified For CA Title 20
- Constant Power Performance

BLD-YTXXD-XXX LED Emergency Driver is UL listed for field and factory installation that allows the same LED fixture to be used for both normal and emergency operation. In the event of a power failure, the emergency driver switches to emergency mode and operates the fixture for 90 minutes. This module will operate a LED array load at 8W or 15W with constant power at a rated output voltage of 30-60 VDC. The constant power design of BLD-YTXXD-XXX maintains the output wattage to the LED array, providing consistent illumination for the entire emergency runtime. Its slim shape is ideal for use in linear LED lighting fixtures.

## DIMENSIONS (inches and mm)



# F2 SERIES

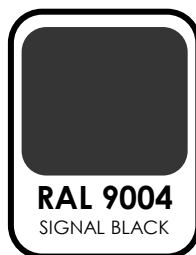
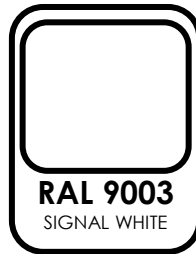
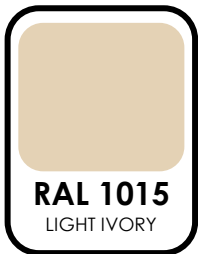
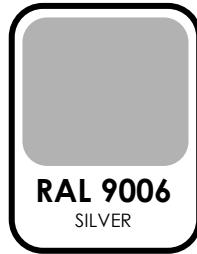
LINEAR SURFACE MOUNT, MUD AND SUSPENDED

Linear Architectural Lighting

DATE	
PROJECT NAME	
TYPE	
QTY	
ORDERING CODE	AE-SF-F2- - -30/40/CCT - - -

## CUSTOMED FINISH EXAMPLES FOR F2 AIR

\* Please contact manufacturer for more information and pricing for customized finishes



# F2 SERIES

LINEAR SURFACE MOUNT, MUD AND SUSPENDED

Linear Architectural Lighting

DATE	
PROJECT NAME	
<b>TYPE</b>	
QTY	
ORDERING CODE	AE-SF-F2- - -30/40/CCT - - -

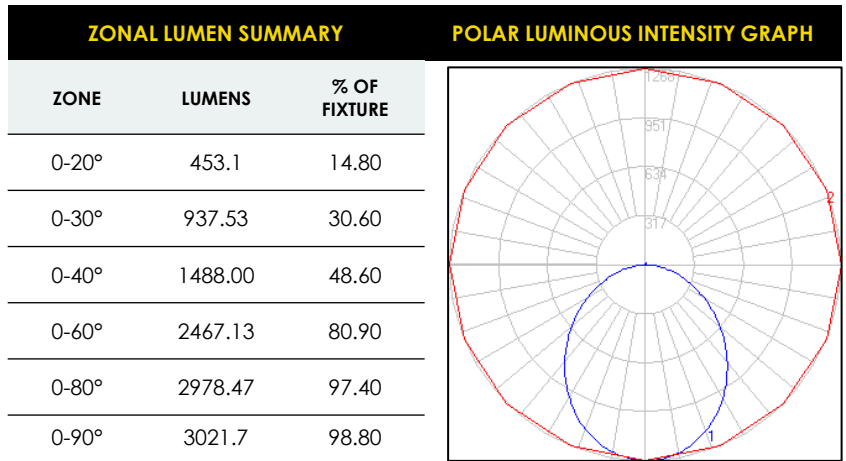
## LUMEN ESTIMATE

Lumen output varies based on CCT and CRI. An estimate of lumen output of the various CCT/CRI combinations, use correction factors as per table below:

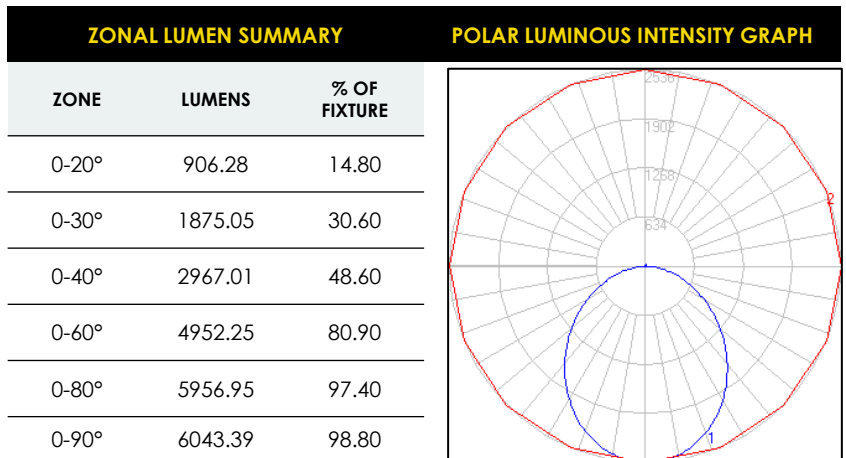
LUMEN ESTIMATE ADJUSTMENT FACTORS				
CCT	2700K	3000K	3500K	4000K
NORMAL(80CRI)	0.91	0.94	0.97	1

## PHOTOMETRIC DATA

AE-SF-F2-4-31-30/35/40-BK  
 4 FEET  
 31 WATTS



AE-SF-F2-8-61-30/35/40-BK  
 8 FEET  
 61 WATTS





# F2 SERIES

LINEAR SURFACE MOUNT, MUD AND SUSPENDED

Linear Architectural Lighting

DATE	
PROJECT NAME	
TYPE	
QTY	
ORDERING CODE	AE-SF-F2- - -30/40/CCT - - -

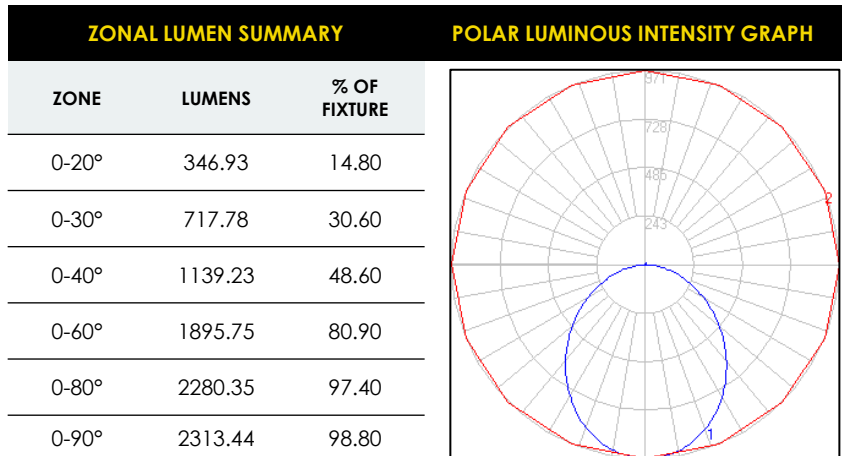
## LUMEN ESTIMATE

Lumen output varies based on CCT and CRI. An estimate of lumen output of the various CCT/CRI combinations, use correction factors as per table below:

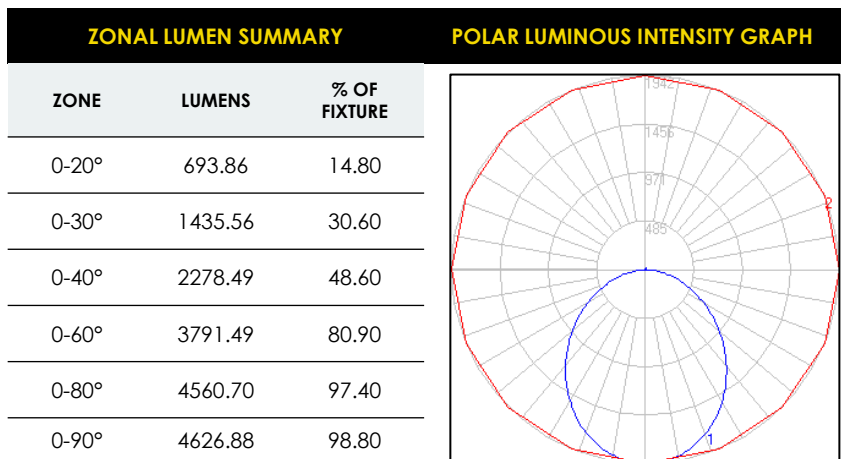
LUMEN ESTIMATE ADJUSTMENT FACTORS				
CCT	2700K	3000K	3500K	4000K
NORMAL(80CRI)	0.91	0.94	0.97	1

## PHOTOMETRIC DATA

AE-SF-F2-4-31-30/35/40-UGR  
 4 FEET  
 31 WATTS



AE-SF-F2-8-61-30/35/40-UGR  
 8 FEET  
 61 WATTS



# F2 SERIES

LINEAR SURFACE MOUNT, MUD AND SUSPENDED

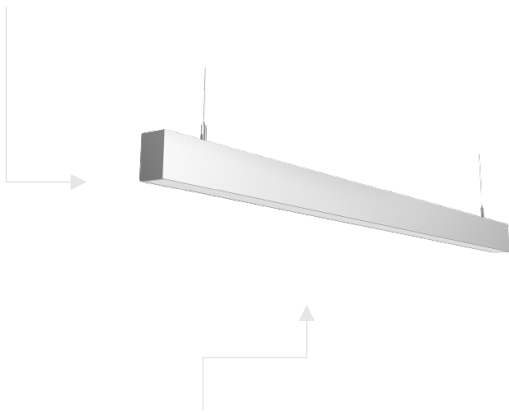
Linear Architectural Lighting

DATE	
PROJECT NAME	
TYPE	
QTY	
ORDERING CODE	AE-SF-F2- - -30/40/CCT - - -

## OVERVIEW

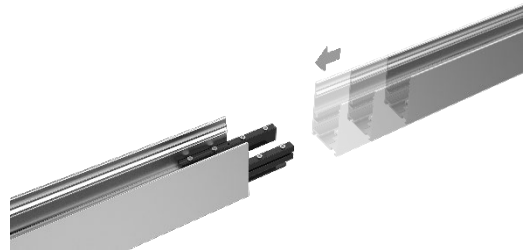
### COLOR SELECTABLE

CCT switch to change between 3 CCT – 3000K, 3500K and 4000K – variations from warm to cool light on field.



### MOUNTING

Easy linkable SUSPENDED fixtures, also available in 3 different shapes – L, T and X shapes – to allow creative designs suspended.

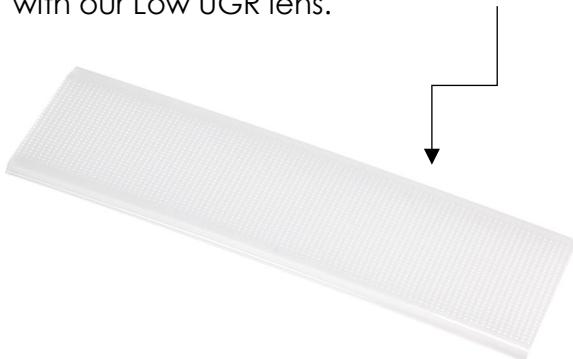


### CONTINUOUS RUNS

Easily connect multiple fixtures together for continuous mounting configuration with the help of our simple link kits .

### LOW UGR LENS

Limit glare and reduce lumen output with our Low UGR lens.



### FINISHES

Standard ERALUX finish in black, white and silver options to provide an elegant look to the fixture's housing.

# F2 SERIES

LINEAR SURFACE MOUNT, MUD AND SUSPENDED

Linear Architectural Lighting

DATE	
PROJECT NAME	
TYPE	
QTY	
ORDERING CODE	AE-SF-F2- - -30/40/CCT - - -

**Draw your custom shape!**

**1 square = 1ft**

