

G5 WOOD FINISH



LINEAR LED LIGHT

Suspended Architectural Linear | 2.5" Aperture | Direct

The G5 is a Linear Architectural LED Light, designed to deliver direct lighting for a seamless ambiance. Featuring a selection of diffuser options—including parabolic louver, drop, and wall wash lenses. Our linear supports continuous runs, creating a unified lighting design that enhances the aesthetic of any environment.

Applications: Art Galleries | Office | Retail Stores | Hospitality | Education

	DATE	QTY	ACC. QTY	TYPE
PROJECT				
PN				
ACCESSORY PN				
NOTES				

DYNAMIC MENU

Order Information	Page 2
Dimensions	Page 3
Accessories	Page 6
Photometric Data	Page 10

[Install Instruction Link](#)

SPECIFICATIONS

Input Voltage	120-277/347V	
Power Factor	>0.9	
Total Harmonic Distortion	<20%	
Dimming Page 3	0-10V dimming	
CRI	80 CRI	
CCT	30K 35K 40K 50K	
Efficacy	~110 lm/W	~1100 lm/ft
Length	4' 8'	
Power	20/40/50/60/80W	
Ambient Temperature Range	-10°C to 40°C	
Mounting Options		
Fixture Finish	Maple 	
Custom Design	Continuous runs Hexagon Shapes	
Optics Page 8	Polycarbonate Drop lens Wall Wash Parabolic louver	
Distribution		



PRODUCT FEATURES



PRODUCT CERTIFICATIONS



Design Lights Consortium® (DLC) qualified product. Not all versions of this product may be DLC qualified. Please check the DLC Qualified Products List at www.designlights.org/QPL to confirm which versions are qualified" [page 4](#)

SYSTEM WARRANTY – 5 YEARS

Eralux will warrant defective drivers, LEDs and boards for 5 years from the date of purchase. This warranty is valid only if the fixture is installed and used as per installation guides and specifications. If a defect is present, Eralux will send drivers and boards at no fee with a thorough replacement instructions along with instructions on the return of the defective parts back to Eralux.

LUMEN MAINTENANCE – L85 at 50,000 hours

Rated for 85% initial lumen output at 50,000 hours of operation, operated at 25°C ambient temperature; per guidelines published by the Illuminating Engineering Society (IES).

LINEAR LED LIGHT

Suspended Architecture Linear | 2.5" Aperture | Direct



ORDERING GUIDE

AE-SF-G5CA			010	MA-GB
AE-SF-G5CA ERALUX G5 Architectural Linear 120-277/347V Input Voltage	4 40 4ft 40W 4,400lm 8 80 8ft 80W 8,800lm	30/35/40¹ 3000/3500/4000K Selectable 30/40/50 3000/4000/5000K Selectable	010 0-10V	MA-GB Maple

Fixture Family	Length Power		CCT	Control	Finish
[BLANK] No option EMBB² Emergency battery backup	-PU³ -PU18 -PH⁶ -PH18	[BLANK] No Canopy -C	[BLANK] -W18		[BLANK] Standard polycarbonate -P Prime Parabolic silver -PS Prime Shadow Parabolic Black -DL 0.5" Drop -WW Wall Wash
Option	Power Cord	Canopy	Aircraft Cable	Diffuser	

REFER BELOW FOR DETAILED DESCRIPTION FOR SUSPENSIONS KIT

-PU	8ft power cord 120-277V 8ft aircraft cable ³	-PU18-W18	18ft power cord 120-277V 18ft aircraft cable
-PU-C	8ft power cord 120-277V 8ft aircraft cable ³ 2x 5-inch canopies	-PU18-C-W18	18ft power cord 120-277V 18ft aircraft cable 2x 5-inch canopies
-PH	8ft power cord 120-347V 8ft aircraft cable ³	-PH18-W18	18ft power cord 120-347V 18ft suspension wires
-PH-C	8ft power cord 120-347V 8ft aircraft cable ³ 2x 5-inch canopies	-PH18-C-W18	18ft power cord 120-347V 18ft aircraft cable 2x 5-inch canopies

- NOTES**
- Default CCT setting is 3500K but can be changed upon request before shipping.
 - EMBB option available in 120-277V only.
 - 8ft aircraft cable must be ordered separately. [Page 6](#)

- CAUTION**
- If there are multiple fixtures connected to the same 0-10V dimming line, a 0-10V controller must be considered to enable consistent dimming across the fixtures. Failure to do so will lead to inconsistent dimming and behaviors in the fixtures. Single switch is not recommended for controlling multiple fixtures simultaneously.
 - Maximum of 300W per electrical drop.

LINEAR LED LIGHT

Suspended Architecture Linear | 2.5" Aperture | Direct

LUMEN OUTPUT

LENGTH	EFFICACY	OUTPUT POWER	
4FT	Avg 110 lm/w 1100 lm/ft	30/40 watts switchable	30W 3300 lm
			40W 4400 lm
60/80 watts switchable		60W 6600 lm	
		80W 8800 lm	
8FT			

DLC MODEL



DLC MODEL	PRODUCT ID	Primary Use	Classification
AE-SF-G5CA44030-35-40010YY-GB	S-ACNDT2	Direct Linear Ambient Luminaires	Standard
AE-SF-G5CA87030-35-40010YY-GB	S-09HDJM		Standard

DIMMER COMPATIBILITY LIST

0-10V Dimming

BRAND	MODEL	BRAND	MODEL
LEVITON	IP710-LFZ	LEGRAND	RH4FBL3PTC
	DS710	EATON	WBSD-010SLD
LUTRON	DVS7V-WH	HUBBLE	LHDIRS3N
	MS-Z101		

DIMENSIONS

SIZE	TOP/BOTTOM VIEW	SIDE VIEW
4FT		
8FT		

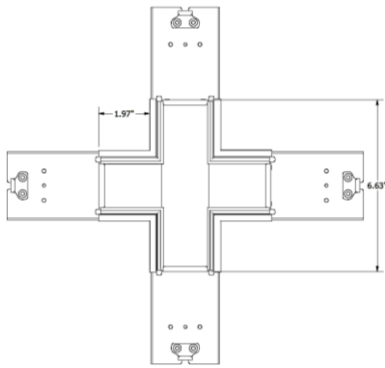
LINEAR LED LIGHT

Suspended Architecture Linear | 2.5" Aperture | Direct

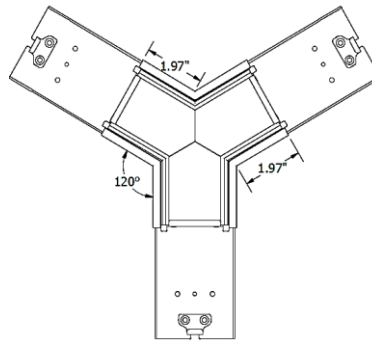
DIMENSIONS

LIT JOINERS

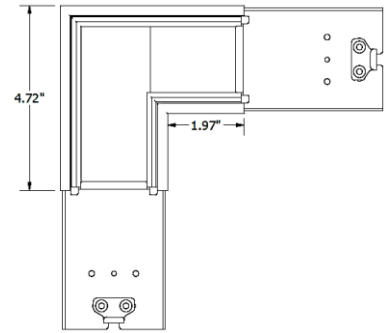
X-JOINER



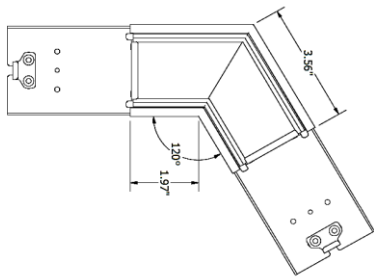
Y-JOINER



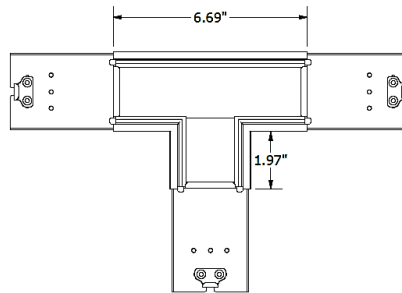
L-JOINER



V-JOINER



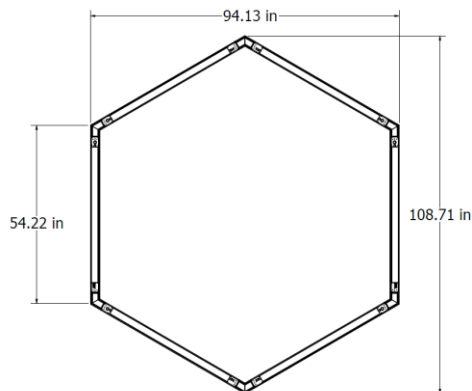
T-JOINER



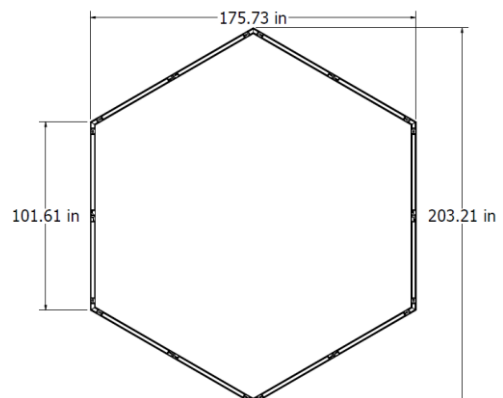
NOTES • See [Page 6](#) for ordering guide.

Hexagon Dimensions

4 FT



8 FT



LINEAR LED LIGHT

Suspended Architecture Linear | 2.5" Aperture | Direct

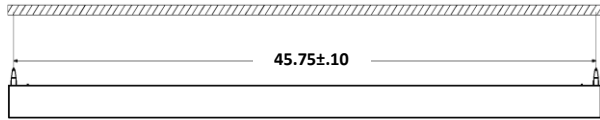
DRILLING PATTERN

SIZE

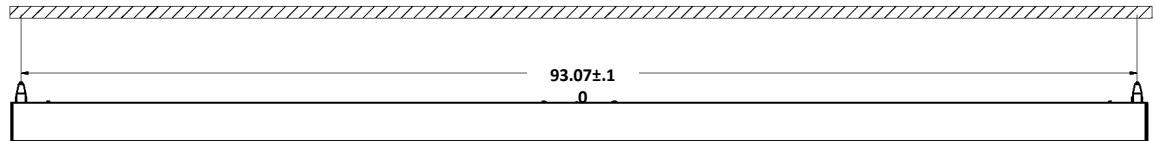


STAND ALONE INSTALLATION

4FT



8FT

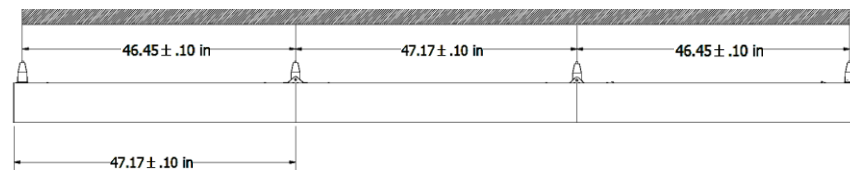


SIZE

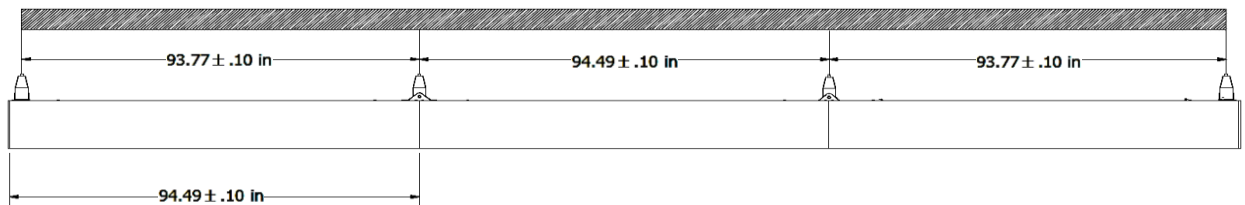


CONTINUOUS RUN INSTALLATION

4FT



8FT



LINEAR LED LIGHT

Suspended Architecture Linear | 2.5" Aperture | Direct

ACCESSORIES

Suspension

Ordered separately if needed

POWER CORD

ORDER CODE	DESCRIPTION	PICTURE
AE-SF-PWRCORD-WH AE-SF-PWRCORD-BK	8' white / black power cord with 120-277V input voltage	
AE-SF-PWRCORD-WH-18FT AE-SF-PWRCORD-BK-18FT	18' white / black power cord with 120-277V input voltage	
AE-SF-PWRCORD-HV-WH AE-SF-PWRCORD-HV-BK	8' white / black power cord with 120-347V input voltage	
AE-SF-PWRCORD-HV-WH-18FT AE-SF-PWRCORD-HV-BK-18FT	18' white / black power cord with 120-347V input voltage	

CANOPY

ORDER CODE	DESCRIPTION	PICTURE
AE-SF-CANOPY-WH-ELITE AE-SF-CANOPY-BK-ELITE AE-SF-CANOPY-MA-ELITE	2 pieces per set maple 5" canopy 0.3" thickness; One for power cord/aircraft cable and one for aircraft cable	

AIRCRAFT CABLE

ORDER CODE	DESCRIPTION	PICTURE
AE-SF-G5/SPT-WIRE-8FT	8ft aircraft cable 2 pieces per set 1 set / fixture	
AE-SF-G5/SPT-WIRE-18FT	18ft aircraft cable 2 pieces per set 1 set / fixture	

T-BAR PENDANT

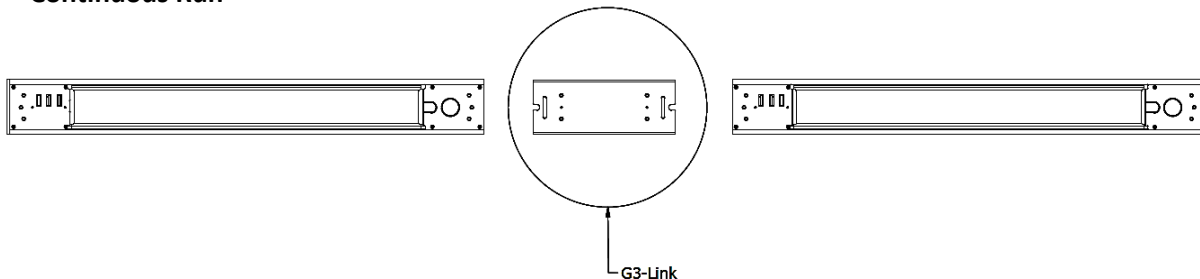
ORDER CODE	DESCRIPTION
AE-SF-TCLIP-TBC	T-bar pendant clip
AE-SF-TCLIP-TBS	T-bar pendant clamp

LINEAR LED LIGHT

Suspended Architecture Linear | 2.5" Aperture | Direct

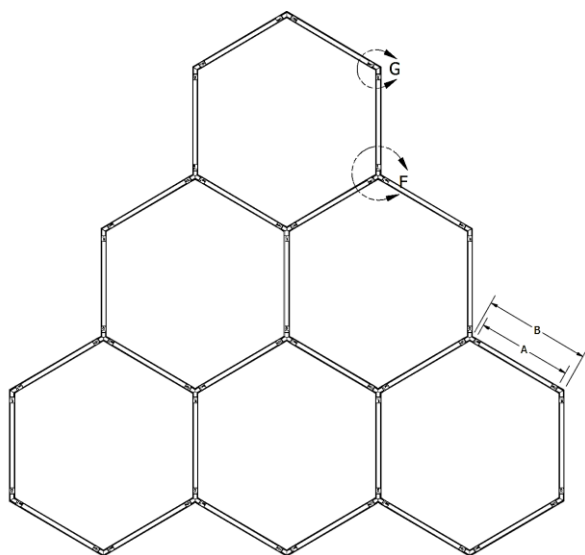
ACCESSORIES

Continuous Run



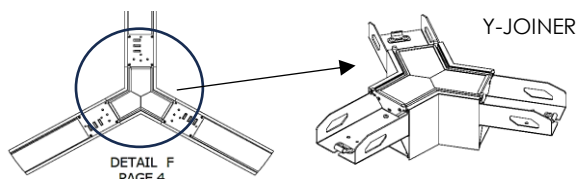
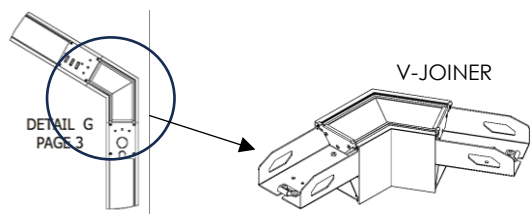
G3-LINK	
ORDER CODE	DESCRIPTION
AE-SF-LINK-G3	Seamless mechanical connection for continuous runs. Prevents light leakage. Easy installation.

Honeycomb Design | Lit Joiners



LIT JOINERS			
ORDER CODE			DESCRIPTION
Family	Shape	CCT	Finish
AE-SF-SPT/G5	-V		
	-X	-30/35/40	
	-T		-LJ-KIT-MA
	-L	-30/35/40	
	-Y		

Seamless mechanical connection for custom designs.
Prevents light leakage.
Easy installation.



LINEAR LED LIGHT

Suspended Architecture Linear | 2.5" Aperture | Direct

DIFFUSER OPTIONS

Drop Lens		
Code	Description	Picture
<p>AE-SF-G5/SPT-Drop Lens-0.5 inch-XFT-WH AE-SF-G5/SPT-Drop Lens-0.5 inch-XFT-BK</p> <p>(X = 2, 4, 6 or 8)</p>	<p>Highly durable frosted polycarbonate lens provides glowing sides with crisp corners visible at a distance. This drop lens gives a 3D look to the light that will enliven your space and add wider spread to the surroundings. The drop lens is available for all finishes and all continuous sizes: 2FT, 4FT, 6FT, and 8FT. 23% less lumens. 0.5" thickness.</p>	
Wall Wash Lens		
Code	Description	Picture
<p>AE-SF-G5/SPT-XFT-WW-KIT-WH AE-SF-G5/SPT-XFT-WW-KIT-BK</p> <p>(X = 2, 4, 5, 6 or 8)</p>	<p>Wall washing is a feature where the luminaire is typically positioned at least 12" from the wall to enhance the smoothness of a wall by eliminating shadows or to highlight a wall to create visual interest. The wall wash lens is available for all finishes and all continuous sizes: 2FT, 4FT, 5FT, 6FT, and 8FT.</p>	
Prime Lens		
Description		Picture
<p>The prime lens features a parabolic silver louver that offers outstanding light shielding and an attractive, crisp visual texture. Its parabolic blade design, along with side reflectors, effectively directs light, enhancing brightness and efficiency in lighting applications. The prime delivers a modern, sleek look, making it suitable for contemporary spaces. The prime lens is available for all finishes and all continuous sizes: 2FT, 4FT, 5FT, 6FT, and 8FT. Efficacy: ~90lm/W UGR: 13.9 - 15.7</p>		
Prime Shadow lens		
Description		Picture
<p>The prime shadow lens features a parabolic black louver that offers outstanding light shielding and an attractive, crisp visual texture. Its black parabolic blade design, along with side reflectors, effectively reduces glare by absorbing more light. Black louvers can create a more dramatic or industrial aesthetic, fitting well in design contexts. The prime shadow lens is available for all finishes and all continuous sizes: 2FT, 4FT, 5FT, 6FT, and 8FT. Efficacy: ~55Lm/W UGR: 18.3 - 20.4</p>		

LINEAR LED LIGHT

Suspended Architecture Linear | 2.5" Aperture | Direct

CONTROLS

EMERGENCY LED DRIVER (BLD-YTXXD-XXX)

BLD-YT08D-XXX

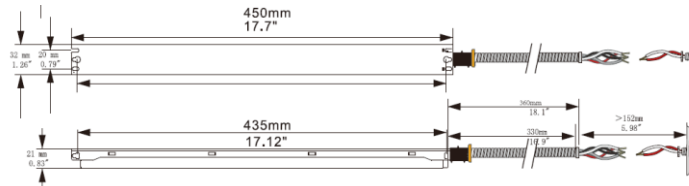
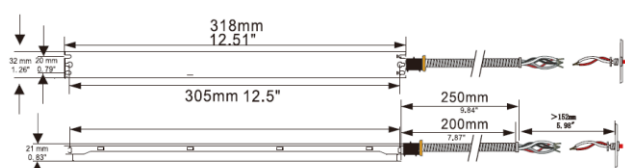
BLD-YT15D-XXX



The BLD-YTXXD-XXX series LED Emergency Driver is UL listed for field and factory installations. It switches to emergency mode during power failures, providing up to 90 minutes of lighting. With an integrated battery, charger, and converter, it delivers 8 or 15W constant power at 30-60VDC. Its slim shape is ideal for use in linear LED lighting fixtures.

SPECIFICATIONS

Input Voltage	30-60VDC
Power Frequency	50/60HZ
Output Voltage	30-60VDC
Output Power	8W 15W
Ambient Temperature	0°C to 50°C
	30°F to 122°F
Installation	Integrated
NOTES	For 8ft fixtures, EMBB will only power a 4ft portion



ROOM OCCUPANCY SENSOR

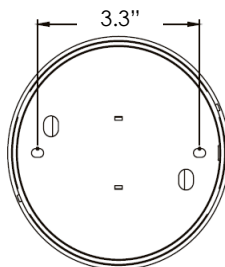
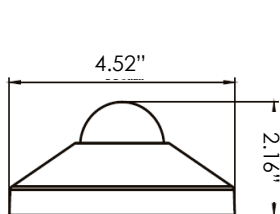
Ordered separately, field installed

PART NUMBER DESCRIPTION

AE-CT-DT806	Detecta - Room Occupancy Sensor
RC102	RC102 Remote Control

SPECIFICATIONS

Input Voltage	120-277 Vac
Power Frequency	50/60HZ
Rated Load	At 120 Vac 800W
	At 277 Vac 1200W
Detection Range	3-10 Meters
	9.8- 32.8 Feet
Standby Power	~0.9W
Time Setting	10 sec to 30 min
Light Control	10-2,000LUX
Installation	Ceiling Mounted



LINEAR LED LIGHT

Suspended Architecture Linear | 2.5" Aperture | Direct

LUMEN ESTIMATE

Lumen output varies based on CCT and CRI. Use correction factors as per table below:

LUMEN ESTIMATE ADJUSTMENT FACTORS

CCT	3000K	3500K	4000K	5000K
PREMIUM (90CRI)	0.94	0.97	1	1.03

PHOTOMETRIC DATA

PART NUMBER		ZONAL LUMEN SUMMARY			POLAR LUMINOUS INTENSITY	CONE DISTRIBUTION			
AE-SF-G5CA440		Zone	Lumens	% Fixture	Direct Light	Center Beam Fc		Beam Width	
Wattage	40W	0-20°	525.87	12.9		1.7ft	500 fc	5.0 ft	4.8 ft
CCT	4000K	0-30°	1112.9	27.2		3.3ft	133 fc	9.7 ft	9.3 ft
Distribution	120°	0-40°	1816.72	44.4		5.0ft	57.8 fc	14.8 ft	14.0 ft
Length	4ft	0-60°	3194.96	78.1		6.7ft	32.2 fc	19.8 ft	18.8 ft
		0-80°	3971.71	97.1		8.3ft	21 fc	24.5 ft	23.3 ft
		0-90°	4043.77	98.9		10.0ft	14.4 fc	29.5 ft	28.1 ft
						■ Vert. Spread: 111.7° ■ Horiz. Spread: 109.1°			

PART NUMBER		ZONAL LUMEN SUMMARY			POLAR LUMINOUS INTENSITY	CONE DISTRIBUTION			
AE-SF-G5CA880		Zone	Lumens	% Fixture	Direct Light	Center Beam Fc		Beam Width	
Wattage	80W	0-20°	981.56	12.90		1.7ft	933 fc	5.0 ft	4.8 ft
CCT	4000K	0-30°	2077.26	27.20		3.3ft	248 fc	9.7 ft	9.3 ft
Distribution	120°	0-40°	3390.97	44.40		5.0ft	108 fc	14.8 ft	14.0 ft
Length	8ft	0-60°	5963.5	78.10		6.7ft	60 fc	19.8 ft	18.8 ft
		0-80°	7413.33	97.10		8.3ft	39.1 fc	24.5 ft	23.3 ft
		0-90°	7547.83	98.90		10.0ft	27 fc	29.5 ft	28.1 ft
						■ Vert. Spread: 111.7° ■ Horiz. Spread: 109.1°			

LINEAR LED LIGHT

Suspended Architecture Linear | 2.5" Aperture | Direct

PHOTOMETRIC DATA - DIFFUSER

PART NUMBER		ZONAL LUMEN SUMMARY			POLAR LUMINOUS INTENSITY	CONE DISTRIBUTION			
AE-SF-G5CA44030/35/40X-DL		Zone	Lumens	% Fixture	Direct Light	Center Beam Fc		Beam Width	
Wattage	40W	0-20°	420.45	11.9		2.5ft	186 fc	6.5 ft	7.2 ft
CCT	4000K	0-30°	882.52	24.9		5.0ft	46.6 fc	12.9 ft	14.5 ft
Distribution	120°	0-40°	1428.38	40.4		7.5ft	20.7 fc	19.4 ft	21.7 ft
Length	4ft	0-60°	2493.86	70.5		10.0ft	11.6 fc	25.8 ft	28.9 ft
		0-80°	3150.06	89		12.5ft	7.45 fc	32.3 ft	36.2 ft
DROP LENS		0-90°	3267.17	92.3		15.0ft	5.17 fc	38.7 ft	43.4 ft
						■ Vert. Spread: 104.5° ■ Horiz. Spread: 110.7°			

PART NUMBER		ZONAL LUMEN SUMMARY			POLAR LUMINOUS INTENSITY	CONE DISTRIBUTION			
AE-SF-G5CA45030/35/40X-WW		Zone	Lumens	% Fixture	Direct Light	Center Beam Fc		Beam Width	
Wattage	50W	0-20°	931.99	13.4		2.5ft	347 fc	3.5 ft	1.4 ft
CCT	4000K	0-30°	2174.46	31.3		5.0ft	86.8 fc	6.9 ft	2.8 ft
Distribution	120°	0-40°	3457.33	49.8		7.5ft	38.6 fc	10.4 ft	4.1 ft
Length	4ft	0-60°	4537.37	65.3		10.0ft	21.7 fc	13.9 ft	5.5 ft
		0-80°	4827.69	69.5		12.5ft	13.9 fc	17.3 ft	6.9 ft
WALL WASH LENS		0-90°	4850.9	69.8		15.0ft	9.65 fc	20.8 ft	8.3 ft
						■ Vert. Spread: 69.5° ■ Horiz. Spread: 30.9°			

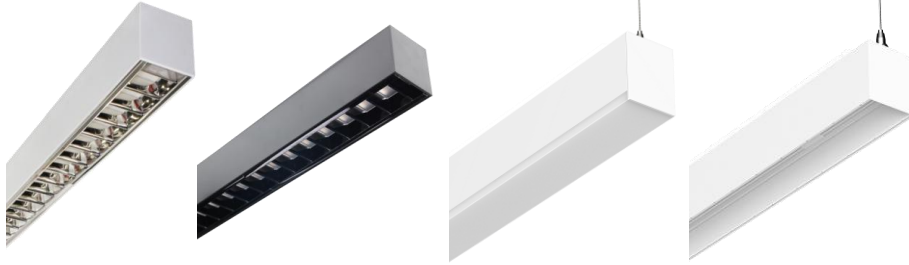
PART NUMBER		ZONAL LUMEN SUMMARY			POLAR LUMINOUS INTENSITY	CONE DISTRIBUTION			
AE-SF-G5CA44030/35/40X-P		Zone	Lumens	% Fixture	Direct Light	Center Beam Fc		Beam Width	
Wattage	40W	0-20°	967.59	27.6		2.5ft	178 fc	7.2 ft	6.9 ft
CCT	4000K	0-30°	1905.45	54.4		5.0ft	44.5 fc	14.4 ft	13.8 ft
Distribution	120°	0-40°	2736.19	78.2		7.5ft	19.8 fc	21.7 ft	20.7 ft
Length	4ft	0-60°	3454.72	98.7		10.0ft	11.1 fc	28.9 ft	27.6 ft
		0-80°	3483.38	99.5		12.5ft	7.11 fc	36.1 ft	34.5 ft
PRIME		0-90°	3485.56	99.6		15.0ft	4.94 fc	43.3 ft	41.5 ft
						■ Vert. Spread: 110.6° ■ Horiz. Spread: 108.2°			

PART NUMBER		ZONAL LUMEN SUMMARY			POLAR LUMINOUS INTENSITY	CONE DISTRIBUTION			
AE-SF-G5CA44030/35/40X-PS		Zone	Lumens	% Fixture	Direct Light	Center Beam Fc		Beam Width	
Wattage	40W	0-20	523.96	23.4		2.5ft	233 fc	3.1 ft	5.1 ft
CCT	4000K	0-30	1069.19	47.8		5.0ft	58.4 fc	6.3 ft	10.3 ft
Distribution	120°	0-40	1601.34	71.6		7.5ft	25.9 fc	9.4 ft	15.4 ft
Length	4ft	0-60	2178.89	97.4		10.0ft	14.6 fc	12.5 ft	20.5 ft
		0-80	2230.17	99.7		12.5ft	9.34 fc	15.6 ft	25.6 ft
PRIME SHADOW		0-90	2231.01	99.8		15.0ft	6.49 fc	18.8 ft	30.8 ft
						■ Vert. Spread: 64.0° ■ Horiz. Spread: 91.5°			

LINEAR LED LIGHT

Suspended Architecture Linear | 2.5" Aperture | Direct

OVERVIEW



Innovative Design

- Extruded aluminum housing for better heat dissipation.
- Highly durable polycarbonate and high transmittance lens.

Diffusers

- Polycarbonate lens
- Wall-wash lens
- 0.5-inch drop lens
- Black/silver parabolic louver



Design Options

- Honeycomb design using Lit joiners



Multiple Options

- Two standard lengths available: 4ft & 8ft.
- Three CCT switchable and power tunable.



Emergency backup battery



Suspended Mounting



Tests And Certifications

