



# G5/SPT PRIME SHADOW

## LINEAR FIXTURES

Linear Architectural Lighting

The G5/SPT PRIME SHADOW is a high-end, black chromed reflector, low glare architectural linear, which offers a high lumen output while maintaining a UGR level below 16. The housing can be connected seamlessly to achieve longer runs. It is available for various run lengths for suspended mounting, surface mounting, and wall mounting. Our ERALUX colour finish reduces glare using a baked enamel coating that enhances and differentiates your project space.

DATE	
PROJECT NAME	
TYPE	
QTY	
ORDERING CODE	

### OPERATING & ELECTRICAL

INPUT VOLTAGE	120-347V
POWER FACTOR	0.9
DIMMING	0-10V
TOTAL HARMONIC DISTORTION (THD)	<20%

### PERFORMANCE

LUMENS PER WATT	~50 LPW at 80CRI
POWER	40, 50W 60, 80W 70, 100W
DISTRIBUTION	Lambertian Up-light and downlight, Downlight
UGR	<16

### MECHANICAL & HOUSING

HOUSING	Extruded aluminum
LENS	Polycarbonate lens Parabolic black chromed finished louver
FINISH	Nebula White Atomic Black Silver RAL7044 Gun Powder RAL 7011
POWER SUPPLY	Factory wired electronic LED driver
LED BOARD	Discrete LED

### APPLICATION CONDITION

AMBIENT TEMPERATURE RANGE	-10°C to 40°C
---------------------------	---------------

### COMPATIBLE MOUNTING

MOUNTING	Suspended Wall
----------	-------------------

### WARRANTY

#### SYSTEM WARRANTY – 5 YEARS

Eralux will warrant defective drivers, LEDs and boards for 5 years from the date of purchase. This warranty is valid only if the fixture is installed and used as per installation guides and specifications. If a defect is present, Eralux will send drivers and boards at no fee with a thorough replacement instructions along with instructions on the return of the defective parts back to Eralux.

#### LUMEN MAINTENANCE – L85 at 50,000 hours

Rated for 85% initial lumen output at 50,000 hours of operation, operated at 25°C ambient temperature; per guidelines published by the Illuminating Engineering Society (IES).

# G5/SPT PRIME SHADOW

LINEAR FIXTURES

Linear Architectural Lighting

DATE	
PROJECT NAME	
TYPE	
QTY	
ORDERING CODE	

## ORDERING GUIDE

EXAMPLE: AE-SF-G5CA44030/35/40010WH-GB-PS

FIXTURE FAMILY	VOLTAGE	LENGTH	POWER	CCT	CONTROLS	FINISH	DIMMING	ACCESSORIES	LENS
<b>AE-SF-G5</b>	<b>CA</b>				<b>010</b>		-	-	
<b>AE-SF-G5</b> ERALUX G5 linear architectural fixture	<b>CA</b> 120-347Vac input voltage	<b>4</b> 4 feet length	<b>40</b> 40 watts: 2000 lumens	<b>30/35/40</b> 3000/3500/4000K selectable CCT	<b>010</b> 0-10V dimming with dim-to-off	<b>WH-GB</b> ERALUX Nebula White	<b>[LEAVE BLANK]</b> 0-10V Standard	<b>-PU</b> Power cord – 120-277V	<b>-PS</b> Parabolic black lens
		<b>6</b> 6 feet length	<b>50</b> 50 watts: 2800 lumens			<b>BK-GB</b> ERALUX Atomic Black			
		<b>8</b> 8 feet length	<b>70</b> 70 watts: 4000 lumens			<b>SV-GB</b> Silver	<b>-PH</b> Power cord – 120-347V		
						<b>GN-GB</b> Gun powder finish RAL 7011	<b>-1DIM</b> 1% Dimming	<b>-PH-C</b> Power cord – 120-347V with 5-inch Canopy	

CAUTION: If there are multiple fixtures connected to the same 0-10V dimming line, a 0-10V controller must be considered to enable consistent dimming across the fixtures. Failure to do so will lead to inconsistent dimming and behaviors in the fixtures. Single switch is not recommended for controlling multiple fixtures simultaneously.

Each fixture comes standard with 2x 6FT suspension cables

\* Default CCT setting is 3500K but can be changed upon request before shipping.

\*\*\* EMBB option available in 120-277V only.

\*\*\*\* 1DIM **available only in 120-277V, it works for 4,5,6,8 FT**

**\*Maximum of 300 Wattages powered by 1 electrical drop\***

# G5/SPT PRIME SHADOW

LINEAR FIXTURES

Linear Architectural Lighting

DATE	
PROJECT NAME	
TYPE	
QTY	
ORDERING CODE	

## ORDERING GUIDE

EXAMPLE: AE-SF-SPTCA45030/35/40010WH-GB-PS

FIXTURE FAMILY	VOLTA GE	LENGT H	POWER	CCT	CONTROLS	FINISH	DIMMING	ACCESSORIE S	LENS
<b>AE-SF-SPT</b>	<b>CA</b>				<b>010</b>		-	-	
ERLUX SPT linear architectural fixture	120-277/347 Vac input voltage	<b>4</b> 4 feet length	<b>50</b> 50 watts: 2500 lumens	<b>30/35/40</b> 3000/3500/4000K selectable CCT	<b>010</b> 0-10V dimming with dim-to-off	<b>WH-GB</b> ERLUX Nebula White	<b>[LEAVE BLANK]</b> 0-10V Standard	<b>-PU</b> Power cord – 120-277V	<b>-PS</b> Parabolic black lens
		<b>6</b> 6 feet length	<b>80</b> 80 watts: 3600 lumens			<b>BK-GB</b> ERLUX Atomic Black	<b>-EMBB***</b> Emergency battery backup	<b>-PU-C</b> Power cord – 120-277V with 5-inch Canopy	
		<b>8</b> 8 feet length	<b>100</b> 100 watts: 5000 lumens			<b>SV-GB</b> Silver	<b>-PH</b> Power cord – 120-347V		
						<b>GN-GB</b> Gun powder finish RAL 7011	<b>-1DIM</b> 1% Dimming	<b>-PH-C</b> Power cord – 120-347V with 5-inch Canopy	

CAUTION: If there are multiple fixtures connected to the same 0-10V dimming line, a 0-10V controller must be considered to enable consistent dimming across the fixtures. Failure to do so will lead to inconsistent dimming and behaviors in the fixtures. Single switch is not recommended for controlling multiple fixtures simultaneously.

Each fixture comes standard with 2x 6FT suspension cables

\* Default CCT setting is 3500K but can be changed upon request before shipping.

\*\*\* EMBB option available in 120-277V only.

\*\*\*\* 1DIM **available only in 120-277V, it works for 4,5,6,8 FT**

**\*Maximum of 300 Wattages powered by 1 electrical drop\***

# G5/SPT PRIME SHADOW

LINEAR FIXTURES

Linear Architectural Lighting

DATE	
PROJECT NAME	
TYPE	
QTY	
ORDERING CODE	

## ORDERING GUIDE...Continued

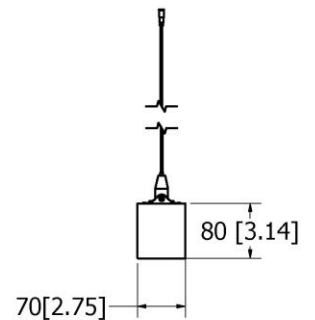
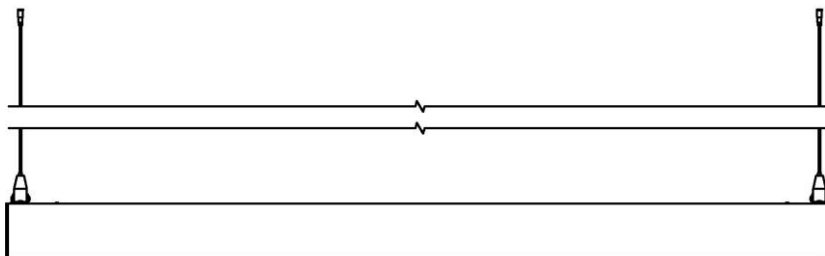
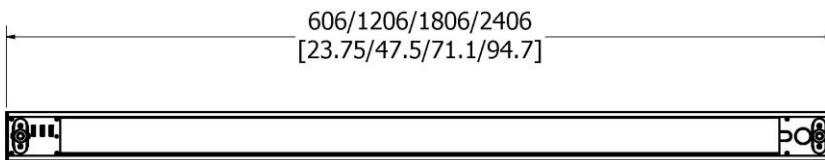
EXAMPLE: AE-SF-G5CA44030/35/40010WH-GB-PS-PU-C

ACCESSORIES	
BLANK	
-PU	- Power cord – 120-277V
-PU-C	- Power cord – 120-277V with 5-inch Canopy
-PH	- Power cord – 120-347V
-PH-C	- Power cord – 120-347V with 5-inch Canopy

## POWER SWITCHABLE OPTIONS

<b>2FT</b>	20 watts	20W – 1260 lms
	20/30/40 watts switchable	20W – 1260 lms 30W – 1890 lms 40W – 2520 lms
<b>4FT</b>	Avg 105-120 LPW	30/40/50 watts switchable
		30W – 2160 lms 40W – 2880 lms 50W – 3600 lms
<b>6FT</b>	40/70 watts switchable	40W – 2880 lms 70W – 5040 lms

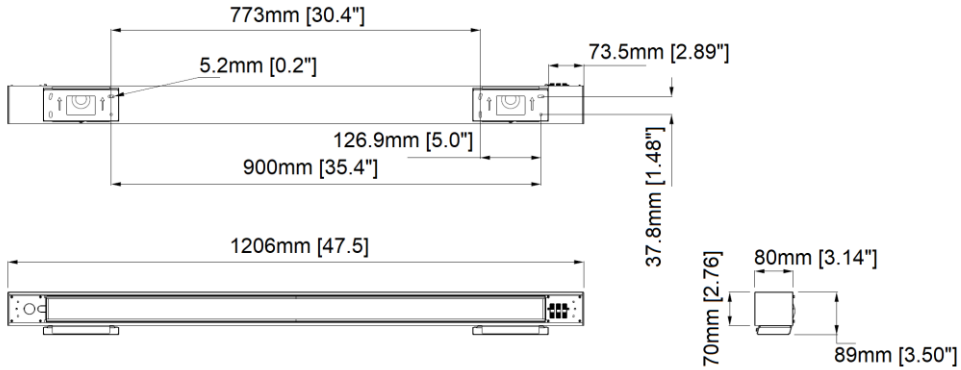
## PRODUCT DIMENSIONS - SUSPENDED



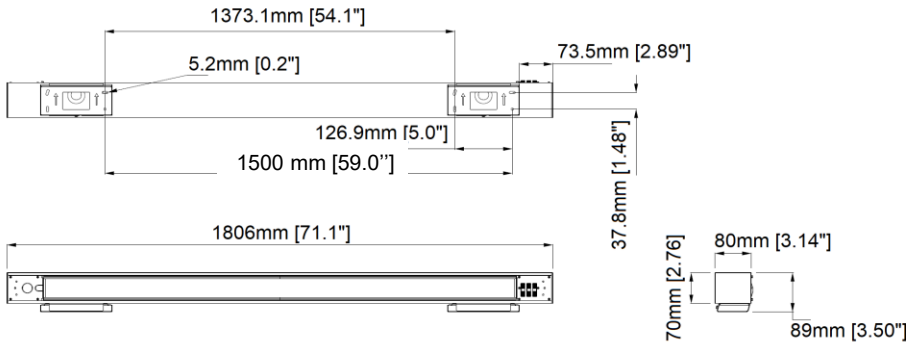
DATE	
PROJECT NAME	
TYPE	
QTY	
ORDERING CODE	

## PRODUCT DIMENSION – WALL MOUNT

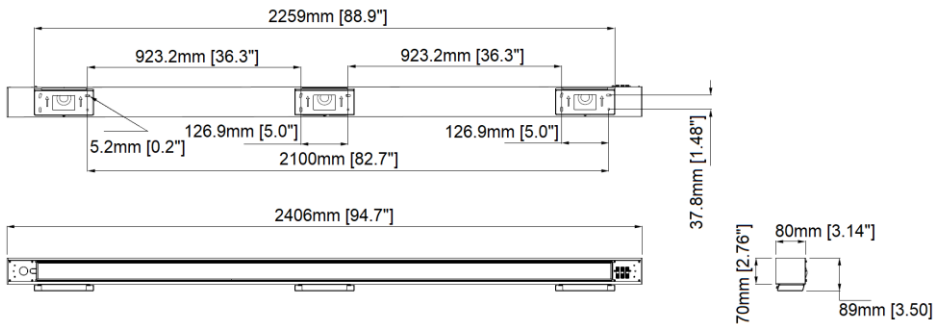
AE-SF-G5CA440 / AE-SF-SPTCA450



AE-SF-G5CA650 / AE-SF-SPTCA680




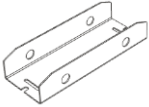


AE-SF-G5CA870 / AE-SF-SPTCA8100



DATE	
PROJECT NAME	
TYPE	
QTY	
ORDERING CODE	

## ACCESSORIES

Ordered separately, field installed

Part Number	Description	Picture
AE-SF-CANOPY-WH-5IN AE-SF-CANOPY-BK-5IN	Canopy Cover kit: 5" diameter - 2 pieces White or Black	
AE-SF-LINK-G2	Linkable Metal Accessory – 1 piece Fixture wired for continuous mounting	
AE-SF-PWRCORD-WH AE-SF-PWRCORD-BK	8FT power cord – 120-277V - White 8FT power cord – 120-277V - Black	
AE-SF-WMB-WH AE-SF-WMB-BK	Wall mount kit – 2 pieces	

# G5/SPT PRIME SHADOW

LINEAR FIXTURES

Linear Architectural Lighting

DATE	
PROJECT NAME	
TYPE	
QTY	
ORDERING CODE	

## ACCESSORIES (Continued)

Ordered separately, field installed

### EMERGENCY LED DRIVER (BLD-YTXXD-XXX)

BLD-YT08D-XXX

OUTPUT POWER : 8 WATTS

BLD-YT15D-XXX

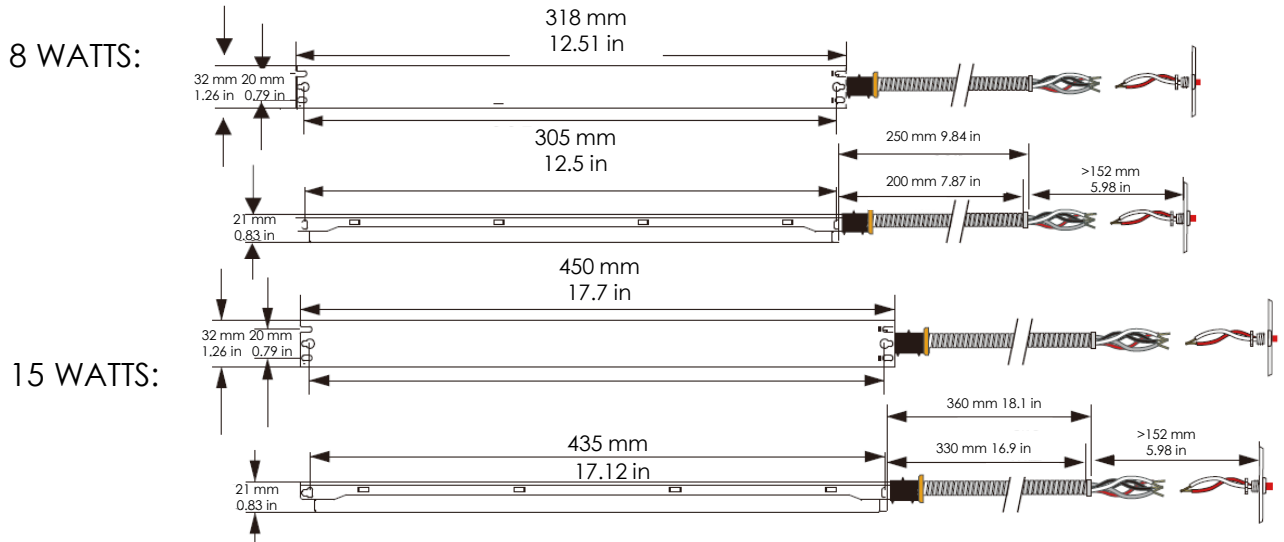
OUTPUT POWER : 15 WATTS



- Easy Wiring
- Certified For CA Title 20
- Constant Power Performance

BLD-YTXXD-XXX LED Emergency Driver is UL listed for field and factory installation that allows the same LED fixture to be used for both normal and emergency operation. In the event of a power failure, the emergency driver switches to emergency mode and operates the fixture for 90 minutes. This module will operate a LED array load at 8W or 15W with constant power at a rated output voltage of 30-60 VDC. The constant power design of BLD-YTXXD-XXX maintains the output wattage to the LED array, providing consistent illumination for the entire emergency runtime. Its slim shape is ideal for use in linear LED lighting fixtures.

## DIMENSIONS (inches and mm)



# G5/SPT PRIME SHADOW

LINEAR FIXTURES

Linear Architectural Lighting

DATE	
PROJECT NAME	
TYPE	
QTY	
ORDERING CODE	

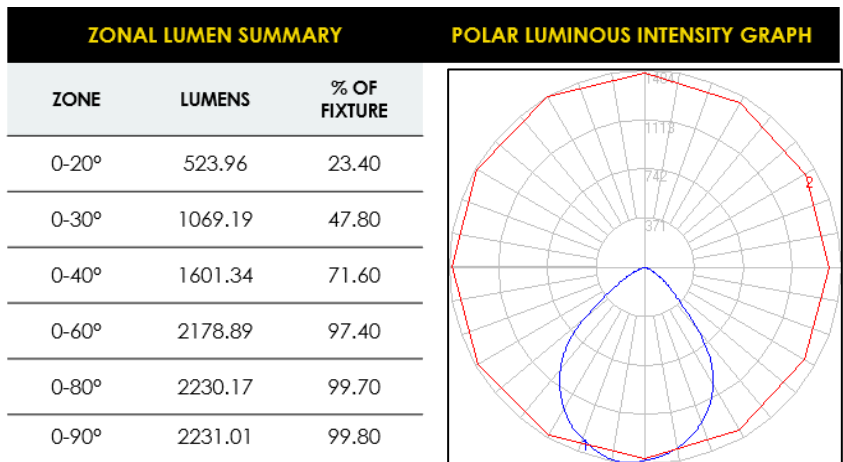
## LUMEN ESTIMATE

Lumen output varies based on CCT and CRI. An estimate of lumen output of the various CCT/CRI combinations, use correction factors as per table below:

LUMEN ESTIMATE ADJUSTMENT FACTORS				
CCT	3000K	3500K	4000K	5000K
NORMAL (80CRI)	0.94	0.97	1	1.03

## PHOTOMETRIC DATA

AE-SF-  
G5CA44030/35/40010XX-  
GB-PS (3500K)  
.4 FEET  
.40 WATT  
.2160 LUMENS  
.BLACK PARABOLIC LENS



## DIMMER COMPATIBILITY LIST

0-10V Dimmer
LEGRAND RH4FBL3PTC
LUTRON DVS7V-WH
LEVITON IP710-LFZ

0-10V Dimmer
EATON WBSD-010SLD
LEVITON DS710
LUTRON MS-Z101
HUBBEL LHDIRS3N



# G5/SPT PRIME SHADOW

LINEAR FIXTURES

Linear Architectural Lighting

DATE	
PROJECT NAME	
TYPE	
QTY	
ORDERING CODE	

## OVERVIEW



### COLOR SELECTABLE

Easily removable fixture top exposes the DIP switch to change between 3 CCT variations from 3000 to 3500 to 4000K.

### ACCESSORIES

Multiple accessories to select such as canopy cover kits and mounting brackets.

### STANDARD FEATURES

6 FT suspension cables standard with fixture providing simple purchase and cost-savings.

### CONTINUOUS RUNS

Easily connect multiple fixtures together for continuous mounting configuration.

### FINISHES

Standard ERALUX anti-glare White and black finishes reduce object glare and provide an elegant look to the fixture's housing. In addition to silver and gun powder finishes.

2/4/6/8 ft

Single Fixture



Seamless joints



Canopy: 2/kit

