

G5

LINEAR FIXTURES

Linear Architectural Lighting

What we have done with the 2nd generation of our most popular fixture is take customers' feedback into consideration. Now with a remolded housing that meets the modern project space, the G5's housing can be connected seamlessly in both light and fixture appearance. Available for suspended mounting, surface mounting, and wall mounting in various run lengths.



eralux®



DATE	
PROJECT NAME	
TYPE	
QTY	
ORDERING CODE	AE-SF-G5CA

DYNAMIC MENU	
Order Information	Page 2
Product Dimensions	Pages 12-13
Optic Options	Page 10
Photometric Data	Page 15
Accessories	Page 7
Overview	Page 16

APPLICATION CONDITION

AMBIENT TEMPERATURE RANGE -10°C to 40°C

COMPATIBLE MOUNTING

MOUNTING Surface Mount
Suspended
Wall Mount

WARRANTY

SYSTEM WARRANTY – 5 YEARS

Eralux will warrant defective drivers, LEDs and boards for 5 years from the date of purchase. This warranty is valid only if the fixture is installed and used as per installation guides and specifications. If a defect is present, Eralux will send drivers and boards at no fee with a thorough replacement instructions along with instructions on the return of the defective parts back to Eralux.

LUMEN MAINTENANCE – L85 at 50,000 hours

Rated for 85% initial lumen output at 50,000 hours of operation, operated at 25°C ambient temperature; per guidelines published by the Illuminating Engineering Society (IES).



“DesignLights Consortium® (DLC) qualified product. Not all versions of this product may be DLC qualified. Please check the DLC Qualified Products List at www.designlights.org/QPL to confirm which versions are qualified”

PERFORMANCE

LUMENS PER WATT 120 LPW at 80CRI for 6 FT and 8FT
105 LPW at 80CRI for 4 FT

POWER 20W,40W,50W,70W

DISTRIBUTION Lambertian

OPERATING & ELECTRICAL

INPUT VOLTAGE	120-347V
POWER FACTOR	0.9
DIMMING	0-10V dimming with dim-to-off
TOTAL HARMONIC DISTORTION (THD)	<20%

MECHANICAL & HOUSING

HOUSING	Extruded aluminum
LENS	Highly durable frosted polycarbonate lens Drop lens option
FINISH	Nebula White, Atomic Black, Silver, Gun powder

DATE	
PROJECT NAME	
TYPE	
QTY	
ORDERING CODE	AE-SF-G5CA

ORDERING GUIDE

EXAMPLE: AE-SF-G5CA44030/35/40010WH-GB

FIXTURE FAMILY	LENGTH	POWER	CCT
AE-SF-G5CA			
AE-SF-G5 ERALUX G5 linear architectural fixture 120-347Vac input voltage	2 2 feet length	20 20 watts: 2,100 lumens	30/35/40* 3000/3500/4000K selectable CCT
	4 4 feet length	40 40 watts: 4,200 lumens	
	5 5 feet length	40 40 watts: 4,200 lumens	30/40/50 3000/4000/5000K selectable CCT
	6 6 feet length	50 50 watts: 6,000 lumens	
	8 8 feet length	70 70 watts: 8,400 lumens	

Continued

CONTROLS	FINISH	DIMMING	ACCESSORIES
010		-	-
010 0-10V dimming with dim-to-off	WH-GB ERALUX Nebula White	[LEAVE BLANK] 0-10V Standard	-PU Power cord – 120-277V
	BK-GB ERALUX Atomic Black	-LDE1** Lutron Hi-Lume 1% EcoSystem driver with Soft-on, Fade-to-Black dimming technology down to 1%	-PU-C Power cord – 120-277V with 5-inch Canopy
	SV-GB Silver	-EMBB*** Emergency battery backup	-PH Power cord – 120-347V
	GN-GB Gun powder finish RAL 7011	-1DIM ****	-PH-C Power cord – 120-347V with 5-inch Canopy

CAUTION: If there are multiple fixtures connected to the same 0-10V dimming line, a 0-10V controller must be considered to enable consistent dimming across the fixtures. Failure to do so will lead to inconsistent dimming and behaviors in the fixtures. Single switch is not recommended for controlling multiple fixtures simultaneously.

Each fixture comes standard with 2x 8FT suspension cables

* Default CCT setting is 3500K but can be changed upon request before shipping.

** LDE1 option requires color selection if not the default CCT, 3500K.

*** EMBB option available in 120-277V only.

**** 1DIM available only in 120-277V, it works for 4,5,6,8 FT

Maximum of 300 Wattages powered by 1 electrical drop

DATE	
PROJECT NAME	
TYPE	
QTY	
ORDERING CODE	AE-SF-G5CA

ORDERING GUIDE

EXAMPLE: AE-SF-G5CA440N30/40/50010WH-GB-PU-C

PART NUMBER SUFFIX	ACCESSORIES
BLANK	
-PU	- Power cord – 120-277V
-PU-C	- Power cord – 120-277V with 5-inch Canopy
-PH	- Power cord – 120-347V
-PH-C	- Power cord – 120-347V with 5-inch Canopy

ORDERING GUIDE FOR TRIAC DIMMING

EXAMPLE: AE-SF-G5CA44035-TRIWH-GB

FIXTURE FAMILY	LENGTH	POWER	CCT	DIMMING	FINISH
AE-SF-G5CA				-TRI	
AE-SF-G5 ERALUX G5 linear architectural fixture 120-347Vac input voltage	2 2 feet length	15 15 watts: 1,575 lumens	30 3000 K CCT	-TRI TRIAC dimming	WH-GB ERALUX Nebula White
	4 4 feet length	40 40 watts: 4,200 lumens			
	8 8 feet length	80 80 watts: 9,600 lumens	35 3500 K CCT		BK-GB ERALUX Atomic Black
			40 4000 K CCT		

Each fixture comes standard with 2x 6FT suspension cables

Accessories are ordered separately

DATE	
PROJECT NAME	
TYPE	
QTY	
ORDERING CODE	AE-SF-G5CA - -

POWER SWITCHABLE OPTIONS

2FT	Avg 105-120 LPW	20 watts	20W– 2100 lms
		20/30/40 watts switchable	20W – 2100 lms
30W - 3150 lms			
40W - 4200 lms			
4FT		30/40/50 watts switchable	30W - 3600 lms
			40W - 4800 lms
			50W - 6000 lms
6FT		40/70 watts switchable	40W - 4800 lms
	70W - 8400 lms		
8FT			

DIMMER COMPATIBILITY LIST

0-10V Dimmer
LEGRAND RH4FBL3PTC
LUTRON DVS7V-WH
LEVITON IP710-LFZ
EATON WBSD-010SLD
LEVITON DS710
LUTRON MS-Z101
HUBBEL LHDIRS3N

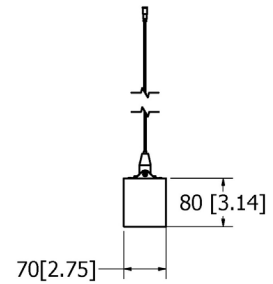
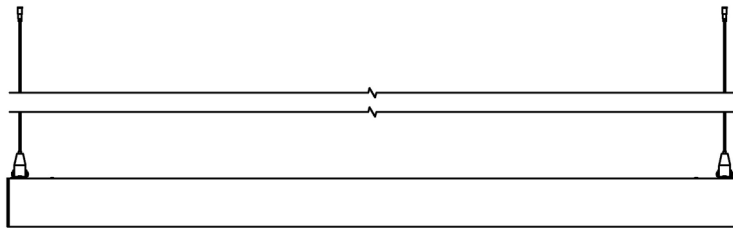
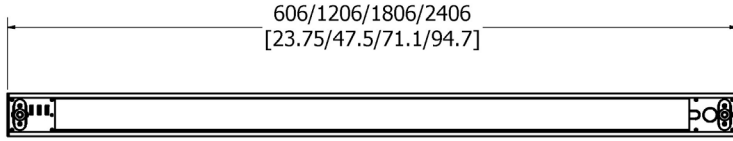
DLC MODELS

DLC MODEL	PRODUCT ID
AE-SF-G5CA22030-35-40010YY-GB	S-JTCRUD
AE-SF-G5CA44030-35-40010YY-GB	S-ACNDT2
AE-SF-G5CA87030-35-40010YY-GB	S-09HDJM

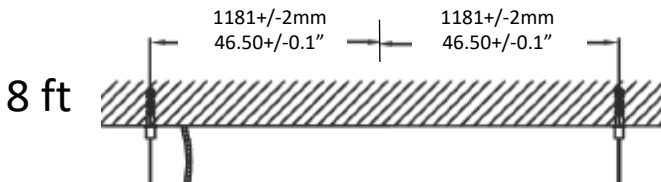
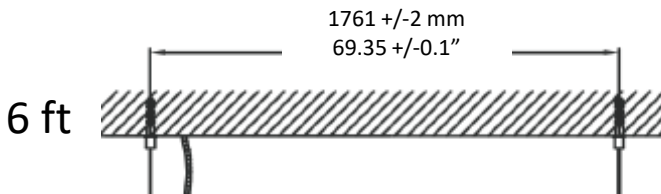
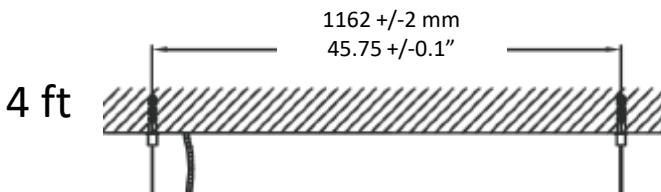
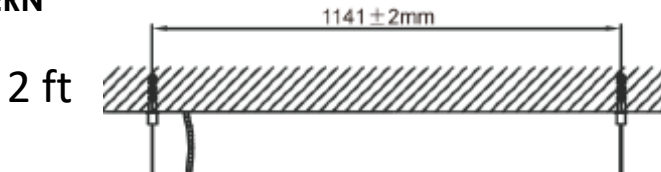
DATE	
PROJECT NAME	
TYPE	
QTY	
ORDERING CODE	AE-SF-G5CA - - - - -

PRODUCT DIMENSIONS

SUSPENDED MOUNTING



DRILLING PATTERN

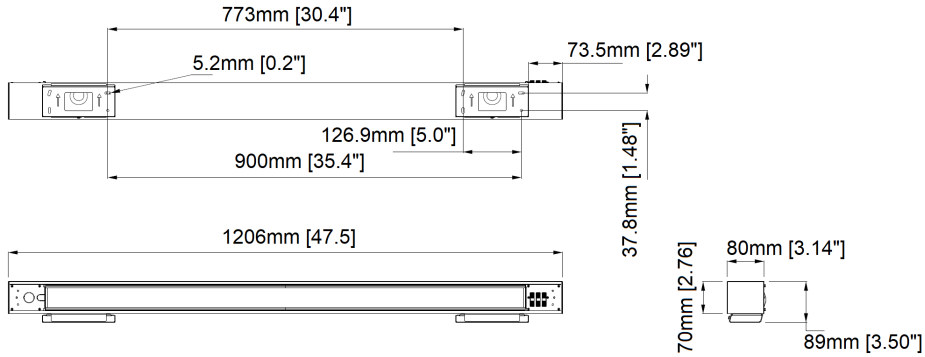


DATE	
PROJECT NAME	
TYPE	
QTY	
ORDERING CODE	AE-SF-G5CA

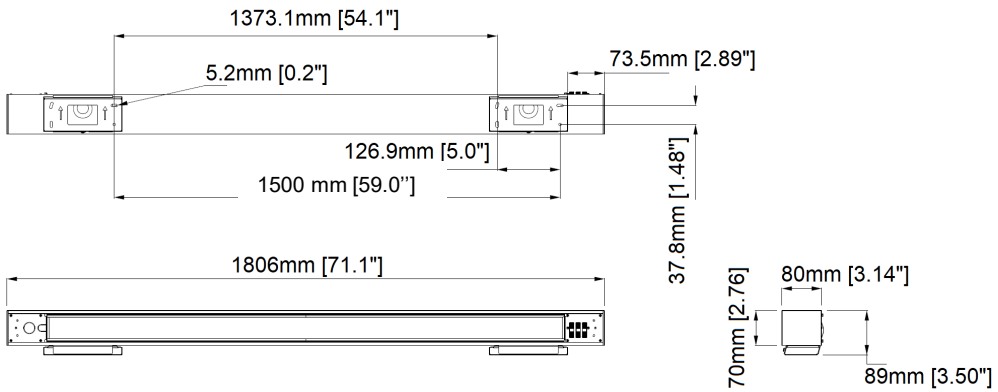
PRODUCT DIMENSIONS

WALL MOUNTING

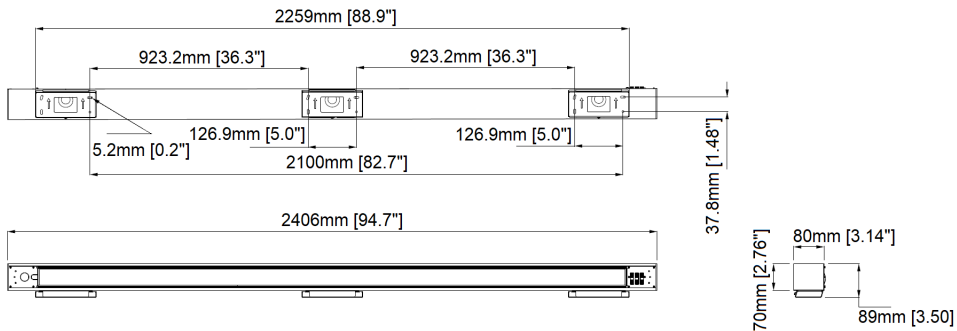
AE-SF-G5CA4



AE-SF-G5CA6



AE-SF-G5CA8



DATE	
PROJECT NAME	
TYPE	
QTY	
ORDERING CODE	AE-SF-G5CA

ACCESSORIES

PART NUMBER	DESCRIPTION	PICTURE
AE-SF-CANOPY-WH-5IN AE-SF-CANOPY-BK-5IN	Canopy Cover kit: 5" diameter – 0.8" thickness - 2 pieces White or Black	
AE-SF-CANOPY-WH-5IN-SUSP AE-SF-CANOPY-BK-5IN-SUSP	Canopy Cover kit: 5" diameter - 1 piece White or Black – Non-power feed	
AE-SF-CANOPY-WH-ELITE AE-SF-CANOPY-BK-ELITE	Canopy Cover kit: 5" diameter – 0.3" thickness- 2 pieces White or Black	
AE-SF-LINK-G2	Linkable Metal Accessory – 1 piece Fixture wired for continuous mounting	
AE-SF-G5-SMT-WH-2ft AE-SF-G5-SMT-BK-2ft	Surface mount kit for 2 feet – 1 piece – White Surface mount kit for 2 feet – 1 piece – Black	
AE-SF-G5-SMT-WH-4ft AE-SF-G5-SMT-BK-4ft	Surface mount kit for 4 feet – 1 piece – White Surface mount kit for 4 feet – 1 piece – Black	
AE-SF-G5-SMT-WH-8ft AE-SF-G5-SMT-BK-8ft	Surface mount kit for 8 feet – 1 piece – White Surface mount kit for 8 feet – 1 piece – Black	
AE-SF-PWRCORD-WH AE-SF-PWRCORD-BK	8FT power cord – 120-277V - White 8FT power cord – 120-277V - Black	
AE-SF-PWRCORD-HV-WH AE-SF-PWRCORD-HV-BK	8FT power cord – 120-347V - White 8FT power cord – 120-347V - Black	
AE-SF-PWRCORD-WH-18FT AE-SF-PWRCORD-BK-18FT	18FT power cord – 120-277V - White 18FT power cord – 120-277V - Black	
AE-SF-PWRCORD-HV-WH-18FT-B AE-SF-PWRCORD-HV-BK-18FT-B	18FT power cord – 120-347V - White 18FT power cord – 120-347V - Black	
AE-SF-G5/SPT-WIRE-8FT AE-SF-G5/SPT-WIRE-12FT AE-SF-G5/SPT-WIRE-18FT	2 x 8FT suspension cables 2 x 12FT suspension cables 2 x 18FT suspension cables	
AE-SF-WMB-WH AE-SF-WMB-BK	Wall mount kit – 2 pieces – White Wall mount kit – 2 pieces – Black	

DATE	
PROJECT NAME	
TYPE	
QTY	
ORDERING CODE	AE-SF-G5CA

EMERGENCY LED DRIVER

BLD-YT08D-XXX

BLD-YT15D-XXX

OUTPUT POWER : 8 WATTS

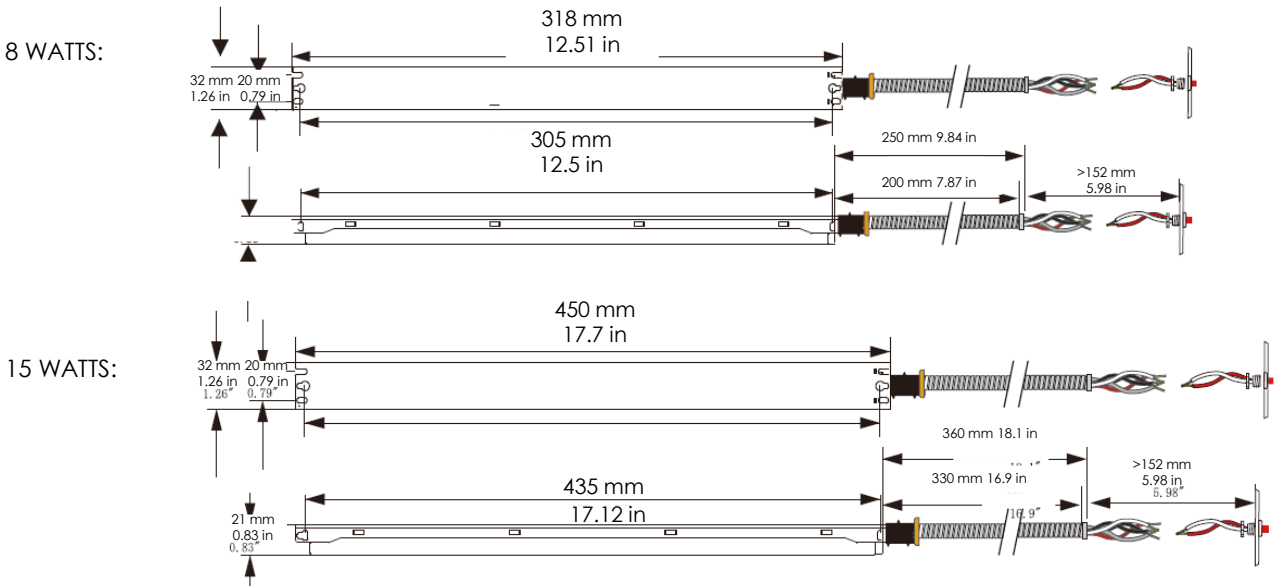
OUTPUT POWER : 15 WATTS



- Easy Wiring
- Certified For CA Title 20
- Constant Power Performance

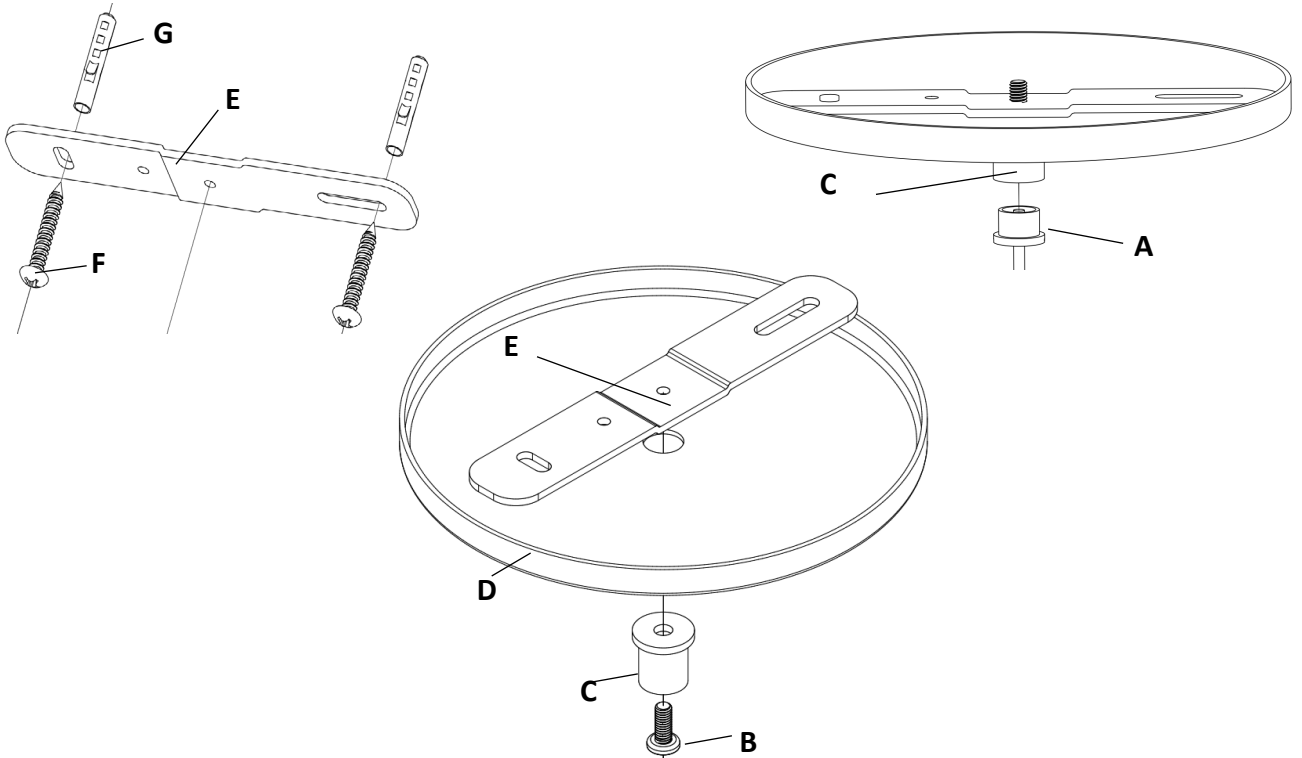
BLD-YTXXD-XXX LED Emergency Driver is UL listed for field and factory installation that allows the same LED fixture to be used for both normal and emergency operation. In the event of a power failure, the emergency driver switches to emergency mode and operates the fixture for 90 minutes. This module will operate a LED array load at 8W or 15W with constant power at a rated output voltage of 30-60 VDC. The constant power design of BLD-YTXXD-XXX maintains the output wattage to the LED array, providing consistent illumination for the entire emergency runtime. Its slim shape is ideal for use in linear LED lighting fixtures.

DIMENSIONS

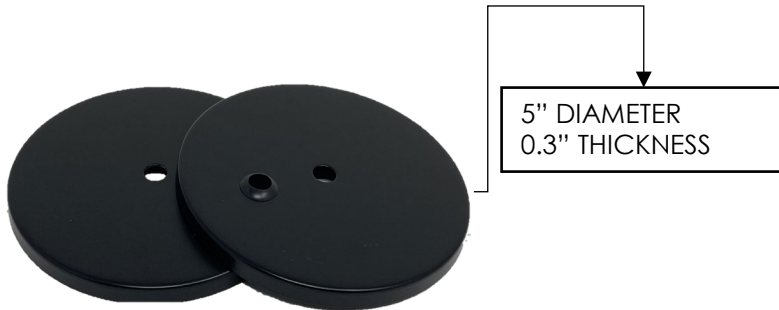


DATE	
PROJECT NAME	
TYPE	
QTY	
ORDERING CODE	AE-SF-G5CA

CANOPY ELITE INSTALLATION STEPS



1. Screw the bracket (E) to the junction box using (F) & (G)
2. Connect the canopy to the bracket by screwing (C) & (D) to (E) using (B)
3. Connect the suspension cable to the canopy via screwing (A) to (C).



DATE	
PROJECT NAME	
TYPE	
QTY	
ORDERING CODE	AE-SF-G5CA - -

Drop lens

Highly durable frosted polycarbonate lens provide a side glowing with crisp corners visible at distance.

This drop lens gives a 3D look to the light that will enliven your space and adding wider spread to the surrounding.

The drop lens is available for all continuous sizes; 2FT, 4FT, 6FT, and 8FT.

23% lumens less.

Ordered separately.



Ordering Table

ACCESSORY FAMILY	THICKNESS	LENGTH	FINISH
AE-SF-G5/SPT-Drop Lens	-0.5 inch	-	-
AE-SF-G5/SPT-Drop Lens Drop lens for SPT and G5	-0.5 inch the drop lens come with a thickness of 0.5 inch	-2ft	-BK Black finish end caps
		-4ft	
		-6ft	-WH White finish end caps
		-8ft	

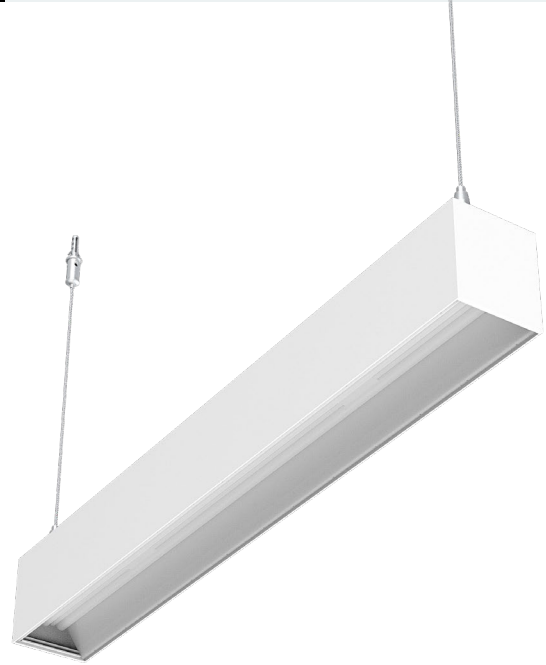
DATE	
PROJECT NAME	
TYPE	
QTY	
ORDERING CODE	AE-SF-G5CA - -

Wall-Wash lens

The wall washing is a feature where the luminaire is typically positioned at least 12" from the wall to enhance the smoothness of a wall by eliminating shadows or to highlight a wall to create visual interest. By illuminating the vertical surface, the architectural space will feel brighter and more open

The wall wash lens is available for all continuous sizes; 2FT, 4FT, 5FT, 6FT, and 8FT.

Ordered separately.

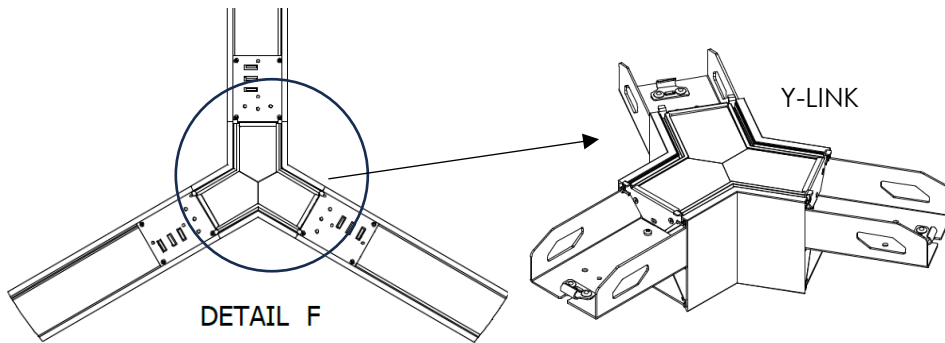
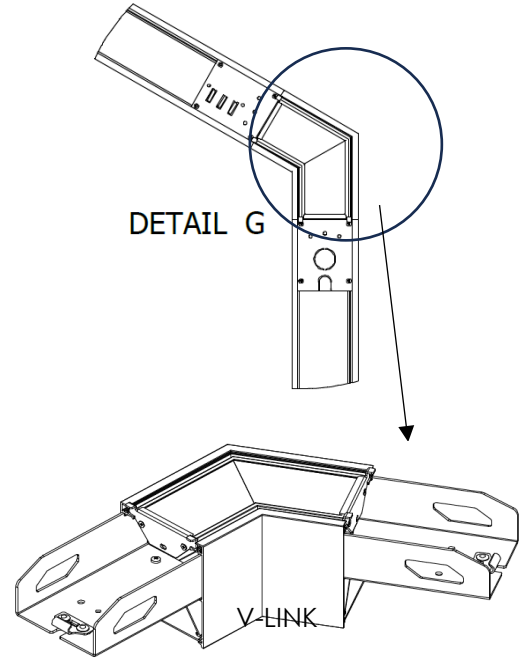
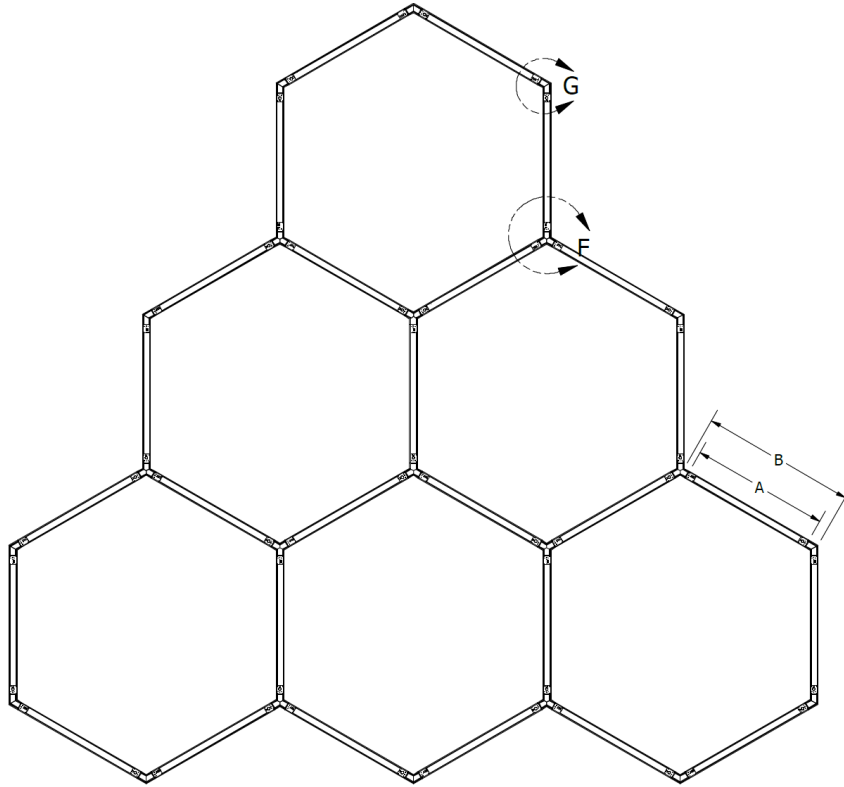


Ordering Table

ACCESSORY FAMILY	LENGTH	LENS	FINISH
AE-SF-G5/SPT	-	-WW-KIT	-
AE-SF-G5/SPT Wall wash lens for SPT and G5	-2ft	-WW-KIT Wall wash kit comes with walls wash lens and end caps	-BK Black finish end caps
	-4ft		
	-5ft		-WH White finish end caps
	-6ft		
	-8ft		

DATE	
PROJECT NAME	
TYPE	
QTY	
ORDERING CODE	AE-SF-G5CA

CUSTOM DESIGNS
HONEY-COMB



- Honey-Comb design can be achieved using our new small links maintaining the easiest installation method possible.
- Using these links , any shape can be achieved way faster and easier installation.
- No driver required for these links; the led board share same run as the linear fixture.

DATE	
PROJECT NAME	
TYPE	
QTY	
ORDERING CODE	AE-SF-G5CA

SHAPE CONNECTORS

ORDERING CODE		DIMENSIONS	PICTURE
V-SHAPED	AE-SF-G5-V-CONNECTOR-WH		
	AE-SF-G5-V-CONNECTOR-BK		
Y-SHAPED	AE-SF-G5-Y-CONNECTOR-WH		
	AE-SF-G5-Y-CONNECTOR-BK		
L-SHAPED	AE-SF-G5-L-CONNECTOR-WH		
	AE-SF-G5-L-CONNECTOR-BK		

- Shape connectors can be both suspended or surface mounted.
- Surface mount bracket is not needed for the connectors

DATE	
PROJECT NAME	
TYPE	
QTY	
ORDERING CODE	AE-SF-G5CA

LUMEN ESTIMATE

Lumen output varies based on CCT and CRI. An estimate of lumen output of the various CCT/CRI combinations, use correction factors as per table below:

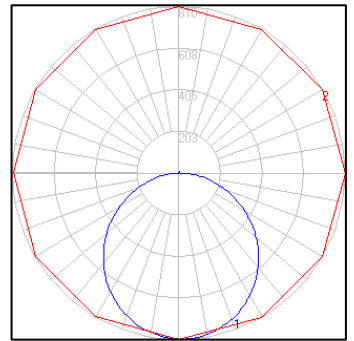
LUMEN ESTIMATE ADJUSTMENT FACTORS				
CCT	3000K	3500K	4000K	5000K
NORMAL (80CRI)	0.94	0.97	1	1.03

PHOTOMETRIC DATA-STANDARD

AE-SF-G5CA22030/35/40010WH-GB-4000K
2 FEET
20 WATTS

ZONAL LUMEN SUMMARY **POLAR LUMINOUS INTENSITY GRAPH**

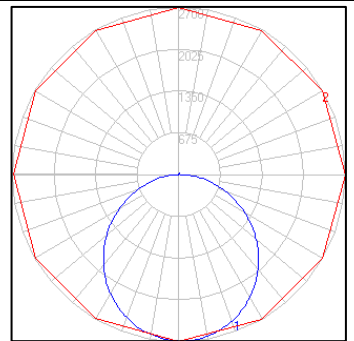
ZONE	LUMENS	% OF FIXTURE
0-20°	294.61	12.90
0-30°	623.47	27.20
0-40°	1017.77	44.40
0-60°	1789.99	78.10
0-80°	2225.05	97.10
0-90°	2265.42	98.90



AE-SF-G5CA87030/35/40010WH-GB-4000K
8 FEET
70 WATTS

ZONAL LUMEN SUMMARY **POLAR LUMINOUS INTENSITY GRAPH**

ZONE	LUMENS	% OF FIXTURE
0-20°	981.56	12.90
0-30°	2077.26	27.20
0-40°	3390.97	44.40
0-60°	5963.5	78.10
0-80°	7413.33	97.10
0-90°	7547.83	98.90

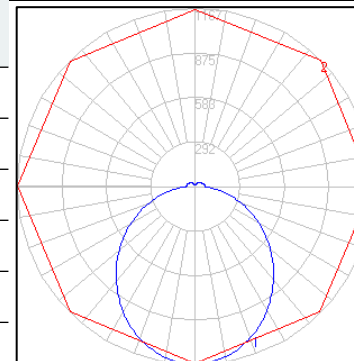


PHOTOMETRIC DATA - DROP LENS

AE-SF-G5CA440303540010WH-GB
AE-SF-G5/SPT-Drop Lens-0.5 inch-4FT
4 FEET
40 WATTS
4000K
Drop lens

ZONAL LUMEN SUMMARY **POLAR LUMINOUS INTENSITY GRAPH**

ZONE	LUMENS	% OF FIXTURE
0-20°	420.45	11.9
0-30°	882.52	24.9
0-40°	1428.38	40.4
0-60°	2493.86	70.5
0-80°	3150.06	89
0-90°	3267.17	92.3



DATE	
PROJECT NAME	
TYPE	
QTY	
ORDERING CODE	AE-SF-G5CA

OVERVIEW



COLOR SELECTABLE

CCT switch to change between 3 CCT variations from warm to cool light.

ACCESSORIES

Multiple accessories to select such as canopy cover kits, and mounting brackets.

STANDARD FEATURES

6FT suspension cables standard with fixture providing simple purchase and cost-savings.

CONTINUOUS RUNS

Easily connect multiple fixtures together for continuous mounting configuration.

FINISHES

Standard ERALUX finish provides an elegant look to the fixture's housing.

2/4/5/6/8 ft

Single Fixture



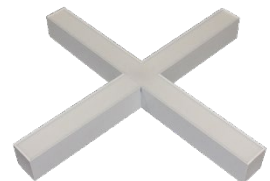
Seamless joints



Canopy: 2/kit

Three special shape options:

L Shape
T Shape
X Shape



*Surface mount bracket not available for L, T, X shapes