

GENESYS

OUTDOOR PRODUCTS

Outdoor area light



eralux®



The GENESYS Series from ERALUX combines the desire for high efficacy and a distinguished look in an outdoor luminaire. The GENESYS Series features mounting methods and variety of light distribution patterns, allowing you to tailor your luminaire to your lighting needs. Our fixture comes standard with a 3 pin NEMA base as well as a 20KV SPD.

DATE	
PROJECT NAME	
TYPE	
QTY	
ORDERING CODE	AE-OD-GY - - - -T - -

OPERATING & ELECTRICAL

INPUT VOLTAGE	120-277V, 277-480V
POWER FACTOR	0.9
DIMMING	0 – 10V
TOTAL HARMONIC DISTORTION (THD)	<20%

PERFORMANCE

LUMENS PER WATT	135 LPW at 70CRI
POWER CONSUMPTION	80W
	100W
	150W
	200W
	240W
DISTRIBUTION	T2, Type 3 (rotated left or right available)
	T4
	T5

MECHANICAL & HOUSING

HOUSING	Aluminum die cast housing for superior heat dissipation, strength, and rigidity critical to long LED system life.
LENS	Highly durable polycarbonate lens ensures high efficiency light output for a clean, evenly illuminated surface with minimal glare. High transmittance lens allowing for a smooth, diffused light pattern. Glass lens available.
FINISH	Powder coat fade and abrasion resistant finish for the toughest outdoor conditions. Available in black, bronze, aluminum (RAL9006) finishes.
POWER SUPPLY	Factory wired electronic LED driver
LED BOARD	Discrete LED Chips

APPLICATION CONDITION

AMBIENT TEMPERATURE RANGE	-40 to 45°C
Protection	Fixture and driver IP65 rated, IK08 impact resistance

COMPATIBLE MOUNTING

MOUNTING	Direct, Slip fitter, yoke mounting
----------	------------------------------------

WARRANTY

SYSTEM WARRANTY – 5 YEARS

Eralux will warrant defective drivers, LEDs and boards for 5 years from the date of purchase. This warranty is valid only if the fixture is installed and used as per installation guides and specifications. If a defect is present, Eralux will send drivers and boards at no fee with a thorough replacement instructions along with instructions on the return of the defective parts back to Eralux.

LUMEN MAINTENANCE – L85 at 50,000 hours

Rated for 85% initial lumen output at 50,000 hours of operation, operated at 25°C ambient temperature; per guidelines published by the Illuminating Engineering Society (IES).



“DesignLights Consortium® (DLC) qualified product. Not all versions of this product may be DLC qualified. Please check the DLC Qualified Products List at www.designlights.org/QPL to confirm which versions are qualified”

DATE	
PROJECT NAME	
TYPE	
QTY	
ORDERING CODE	AE-OD-GY - - - -T - -

ORDERING GUIDE

EXAMPLE: AE-OD-GY-100UV-D-40-T2-A-BK

FIXTURE FAMILY	POWER	VOLTAGE	CONTROLS	CCT	DISTRIBUTION	MOUNTING TYPE	FINISH
AE-OD-GY	-		-	-	-T	-	-
AE-OD-GY ERALUX GENESYS Series Outdoor Area Light fixture	-80 80 Watts: 10,500 lumens	UV 120-277Vac input voltage range	-D 0-10V dimming	-22 2200K CCT	-T2 Type 2	-A Slip Fitter	-BK Black finish
	-100 100 Watts: 13,500 lumens						
	-150 150 Watts: 20,250 lumens				-P Photocontrol daylight sensor	-T3L Type 3 left	-C Yoke Mount
	-200 200 Watts: 27,000 lumens	HV 277-480Vac input voltage range	-M Microwave controller *Only for 120-277V	-40 4000K CCT		-T3R Type 3 right	
	-240 240 Watts: 32,400 lumens			-50 5000K CCT	-T4 Type 4		
	-300 300 Watts: 40,500 lumens				-T5 Type 5		

*Contact for details on lead time and availability

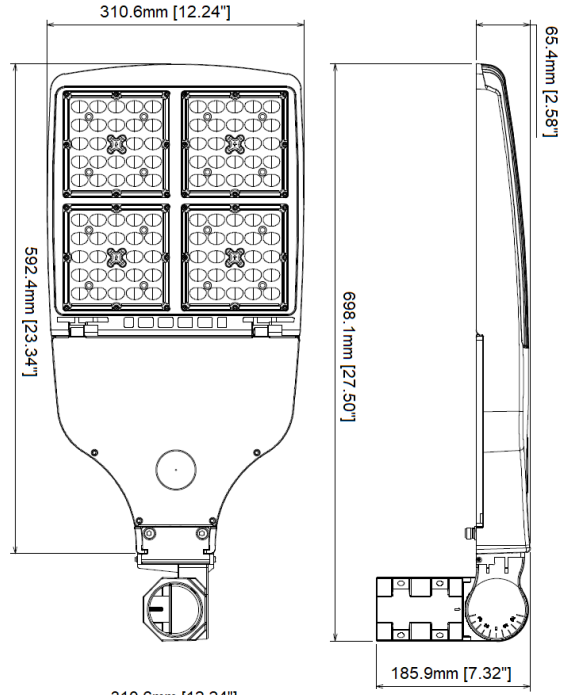
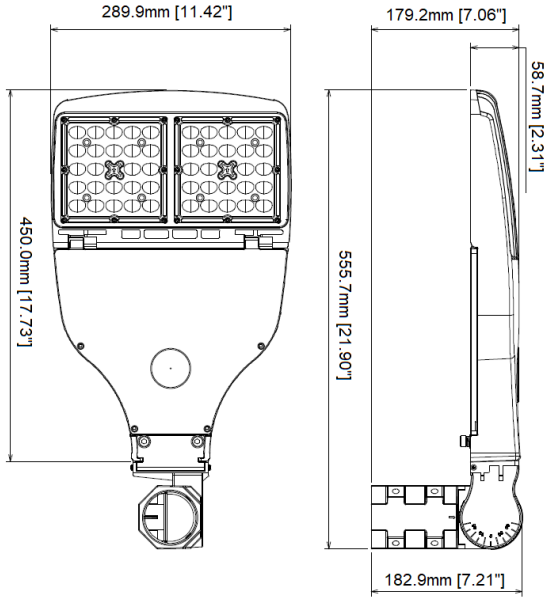
eralux®
GENESYS

OUTDOOR PRODUCTS
Outdoor Area Light

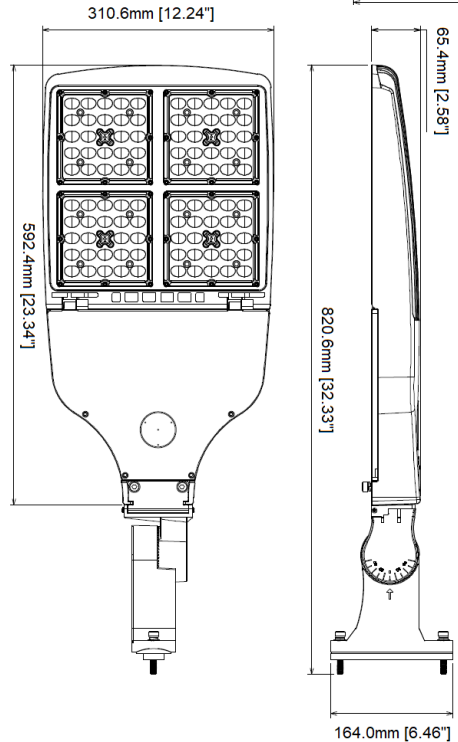
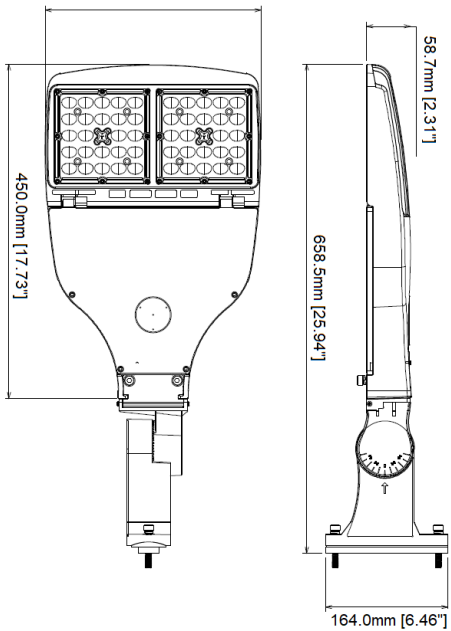
DATE	
PROJECT NAME	
TYPE	
QTY	
ORDERING CODE	AE-OD-GY - - - -T - -

PRODUCT DIMENSIONS (in mm)

Slip Fitter mounting



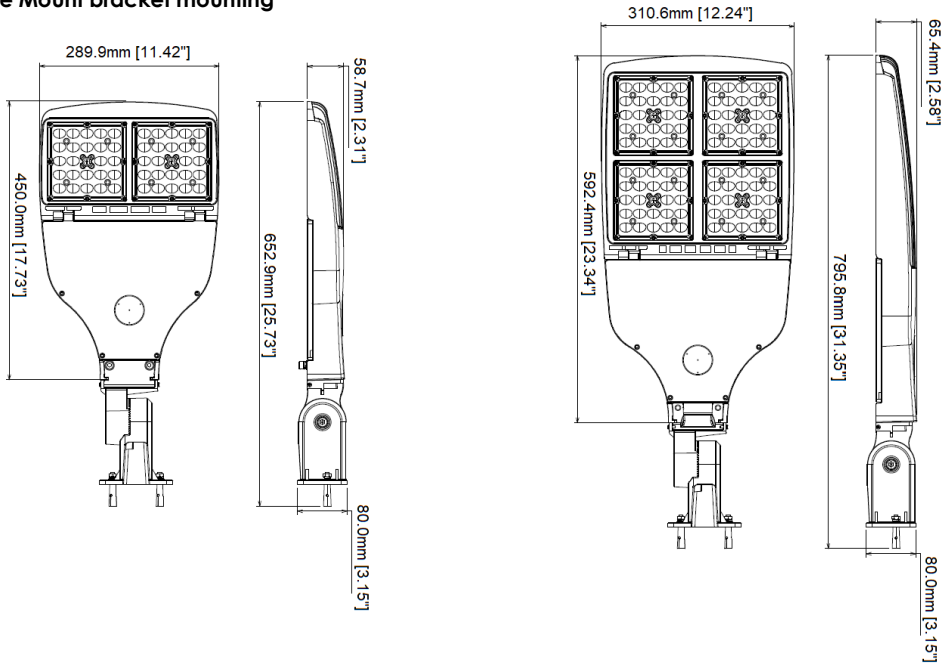
Direct bracket mounting



DATE	
PROJECT NAME	
TYPE	
QTY	
ORDERING CODE	AE-OD-GY - - - -T - -

PRODUCT DIMENSIONS

Yoke Mount bracket mounting



WEIGHT INFORMATION WITH ACCESSORIES

POWER	ACCESSORIES	WEIGHT
-100W	SF	5.28Kg
	DI	5.61Kg
	YM	5.01Kg

POWER	ACCESSORIES	WEIGHT
-150W	SF	5.55Kg
	DI	5.87Kg
	YM	5.27Kg

POWER	ACCESSORIES	WEIGHT
-200W	SF	7.73Kg
	DI	8.053Kg
	YM	7.45Kg

POWER	ACCESSORIES	WEIGHT
-300W	SF	7.87Kg
	DI	8.19Kg
	YM	7.59Kg

EPA (Effective Projected Area) WITH ACCESSORIES

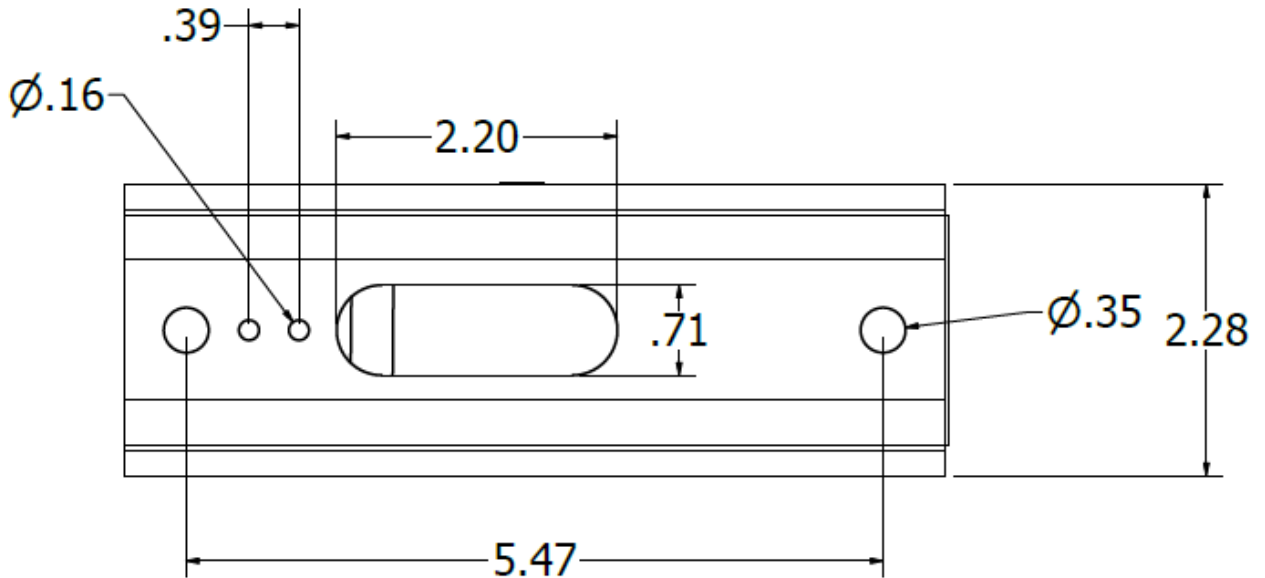
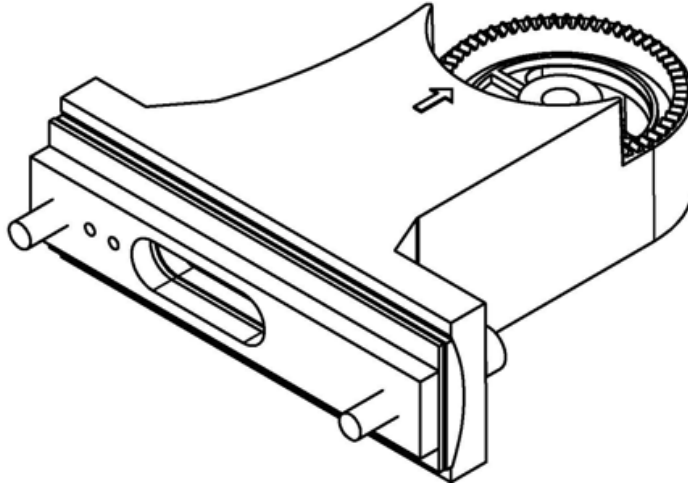
POWER	ACCESSORIES	EPA
100W & 150W	SF	0.5034FT ²
	DI	0.543FT ²
	YM	0.459FT ²

POWER	ACCESSORIES	EPA
200W & 300W	SF	0.626FT ²
	DI	0.667FT ²
	YM	0.585FT ²

DATE	
PROJECT NAME	
TYPE	
QTY	
ORDERING CODE	AE-OD-GY - - -T - -

BRACKETS DIMENSIONS(IN INCHES)

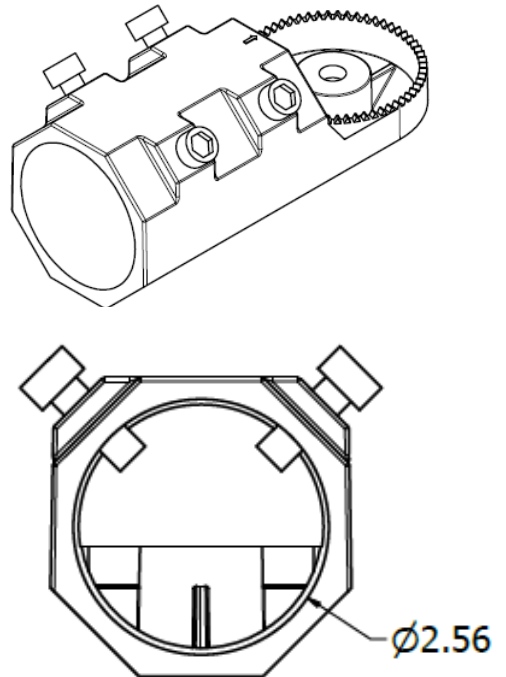
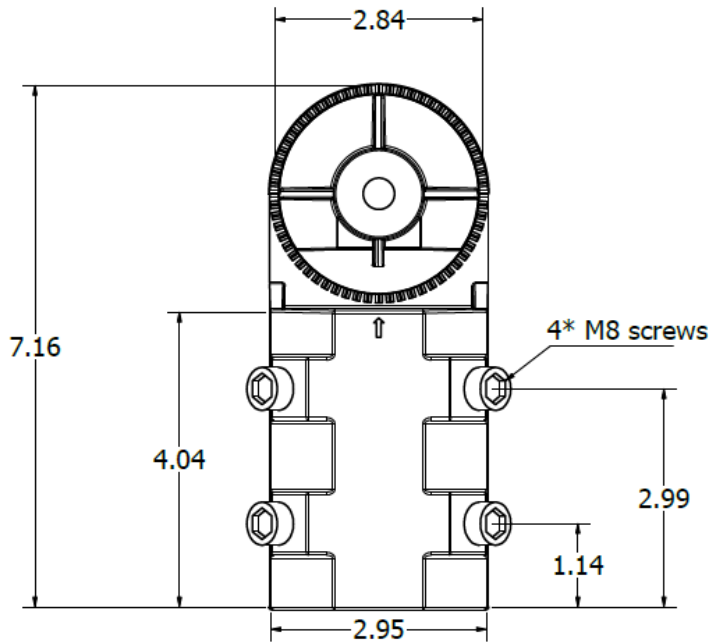
DIRECT



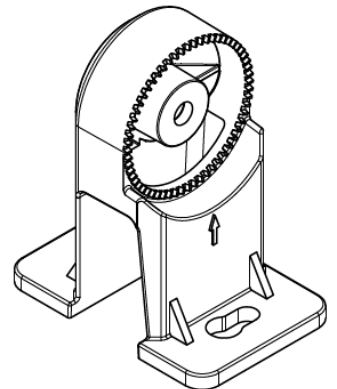
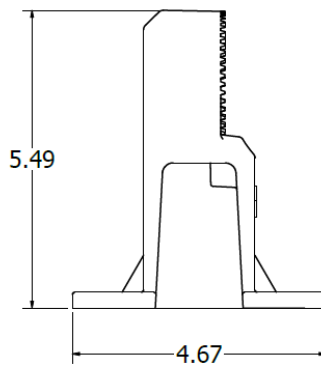
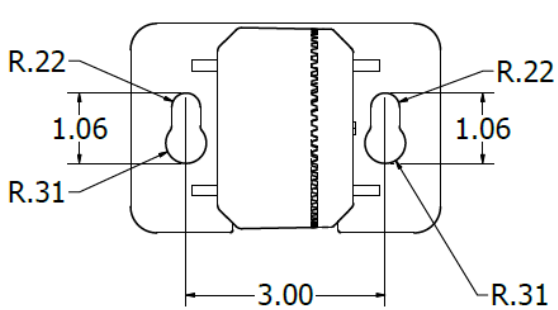
DATE	
PROJECT NAME	
TYPE	
QTY	
ORDERING CODE	AE-OD-GY - - - -T - -

BRACKETS DIMENSIONS (IN INCHES)

SLIP FITTER



YOKE MOUNT



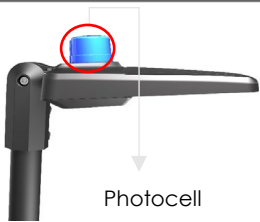


eralux®
GENESYS

OUTDOOR PRODUCTS
Outdoor Area Light

DATE	
PROJECT NAME	
TYPE	
QTY	
ORDERING CODE	AE-OD-GY - - - -T - -

ACCESSORIES

Ordered separately

PART NUMBER	DESCRIPTION	PICTURE
AE-OD-RZ-PHOTOCELL-HV	High volage photocell 277-480V	 <p>Photocell</p>
AE-OD-RZ-PHOTOCELL-UV	Low volage photocell 120-277V	
AE-OD-GY-MOTIONSENSOR	Microwave motion sensor	
	Remote control for motion sensor	

FIXTURE FAMILY	CONTROLS
AE-OD-RZ	-
AE-OD-RZ	-SB Socket base of photocell
	-SC Shorting cap

MOUNTING METHODS

FIXTURE FAMILY	MOUNTING METHOD	FINISH
AE-OD-RZ	-	-
AE-OD-RZ	-SF Slip fitter mounting bracket	-BK Black powder coat finish
	-DI Direct mounting bracket	-BZ Bronze powder coat finish
	-YM Yoke mount bracket	-AL Aluminum(RAL9006) powder coat finish*

OPTICAL SHIELDS

FIXTURE FAMILY	OPTICAL SHIELD	POWER RANGE	FINISH
AE-OD-GY	-OS	-	-
AE-OD-GY ERALUX Genesys Series outdoor area light fixture	-OS Back Optical Shield	-60-150W 60-150 Watts	-BK Black powder coat finish
		-200-300W 200-300 Watts	-BZ Bronze powder coat finish

eralux®

GENESYS

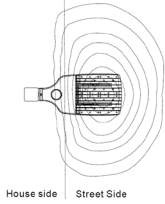
OUTDOOR PRODUCTS
Outdoor Area Light

DATE	
PROJECT NAME	
TYPE	
QTY	
ORDERING CODE	AE-OD-GY - - - -T - -

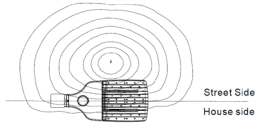
DISTRIBUTION

Select from forward throw, left, or right rotated Type 3 distributions enabling you to adhere to strict light spillage regulations.

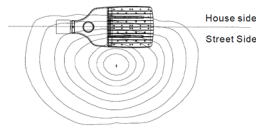
Type 3 forward throw (T3N)



Type 3 left rotated (T3L)



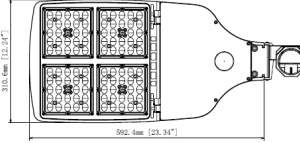
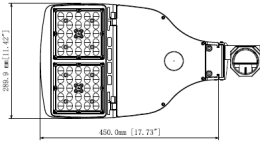
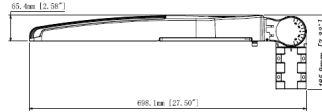
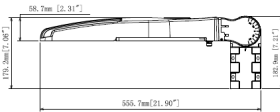
Type 3 right rotated (T3R)



EPA Information

80W-100W-150W

200W-240W-300W



SF



EPA=0.419537X1.2=0.5034

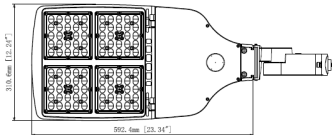
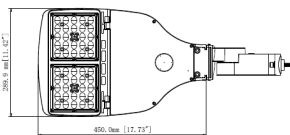
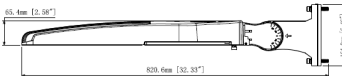
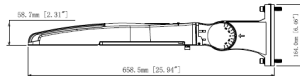


EPA=0.5219117X1.2=0.626

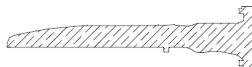
Slip Fitter

80W-100W-150W

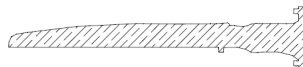
200W-240W-300W



SB02-ADI



EPA=0.4521856X1.2=0.543



EPA=0.5553797X1.2=0.667

Direct Bracket

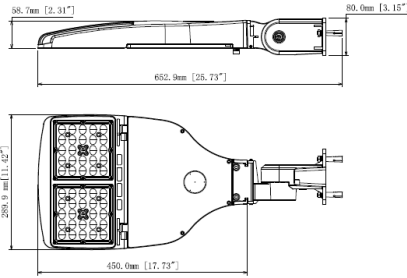
eralux® GENESYS

OUTDOOR PRODUCTS
Outdoor Area Light

DATE	
PROJECT NAME	
TYPE	
QTY	
ORDERING CODE	AE-OD-GY - - - -T - -

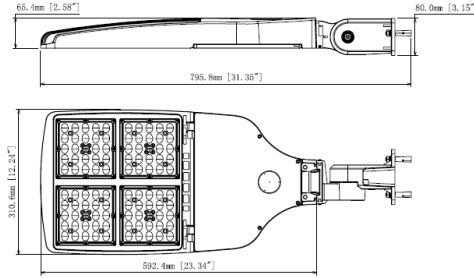
EPA Information

80W-100W-150W



EPA=0.3821229X1.2=0.459

200W-240W-300W



EPA=0.4871427X1.2=0.585

YM

Yoke
Mount

B-U-G RATING

POWER	DISTRIBUTIION	B-U-G	POWER	DISTRIBUTIION	B-U-G
80W	T2	B3-U3-G3	200W	T2	B4-U3-G4
	T3	B3-U2-G3		T3	B4-U3-G4
	T4	B3-U3-G3		T4	B4-U3-G4
	T5	B3-U3-G2		T5	B5-U3-G3
100W	T2	B3-U3-G3	240W	T2	B5-U3-G4
	T3	B3-U2-G3		T3	B4-U3-G4
	T4	B3-U2-G3		T4	B4-U3-G4
	T5	B4-U3-G2		T5	B5-U3-G3
120W	T2	B3-U3-G3	300W	T2	B5-U3-G5
	T3	B3-U3-G3		T3	B5-U3-G5
	T4	B4-U3-G4		T4	B4-U3-G4
	T5	B4-U3-G2		T5	B5-U3-G3
150W	T2	B3-U3-G3			
	T3	B4-U2-G4			
	T4	B4-U3-G4			
	T5	B4-U3-G2			

DATE	
PROJECT NAME	
TYPE	
QTY	
ORDERING CODE	AE-OD-GY - - - -T - -

DLC MODELS

DLC MODEL	PRODUCT ID	DLC MODEL	PRODUCT ID
AE-OD-GY-80[UV,HV]-[D,P,M]-30-T2	S-OWCV1K	AE-OD-GY-150[UV,HV]-[D,P,M]-30-T2	S-7KZP91
AE-OD-GY-80[UV,HV]-[D,P,M]-30-T3	S-QJRZS2	AE-OD-GY-150[UV,HV]-[D,P,M]-30-T3	S-GCIZES
AE-OD-GY-80[UV,HV]-[D,P,M]-30-T4	S-OF31GW	AE-OD-GY-150[UV,HV]-[D,P,M]-30-T4	S-BFKW50
AE-OD-GY-80[UV,HV]-[D,P,M]-30-T5	S-BSGZ7F	AE-OD-GY-150[UV,HV]-[D,P,M]-30-T5	S-64L9OK
AE-OD-GY-80[UV,HV]-[D,P,M]-40-T2	S-MY9LHB	AE-OD-GY-150[UV,HV]-[D,P,M]-40-T2	S-OQ3LGT
AE-OD-GY-80[UV,HV]-[D,P,M]-40-T3	S-196QP8	AE-OD-GY-150[UV,HV]-[D,P,M]-40-T3	S-BW0Y2V
AE-OD-GY-80[UV,HV]-[D,P,M]-40-T5	S-MJZAE9	AE-OD-GY-150[UV,HV]-[D,P,M]-40-T5	S-C92JVS
AE-OD-GY-80[UV,HV]-[D,P,M]-50-T2	S-29IX0R	AE-OD-GY-150[UV,HV]-[D,P,M]-50-T2	S-LBTC5W
AE-OD-GY-80[UV,HV]-[D,P,M]-50-T3	S-6NFDCE	AE-OD-GY-150[UV,HV]-[D,P,M]-50-T3	S-E5GYS9
AE-OD-GY-80[UV,HV]-[D,P,M]-50-T5	S-XRLAM0	AE-OD-GY-150[UV,HV]-[D,P,M]-50-T5	S-OWJBFN
AE-OD-GY-80HV-[D,P,M]-40-T4	S-09HSAC	AE-OD-GY-150HV-[D,P,M,N]-40-T4	S-UD0J5H
AE-OD-GY-80HV-[D,P,M]-50-T4	S-UPSQGO	AE-OD-GY-150HV-[D,P,M,N]-50-T4	S-Y0C54B
AE-OD-GY-80UV-[D,P,M]-40-T4	S-11H3AW	AE-OD-GY-150UV-[D,P,M,N]-40-T4	S-WL85RA
AE-OD-GY-80UV-[D,P,M]-50-T4	S-EDBFXC	AE-OD-GY-150UV-[D,P,M,N]-50-T4	S-RV0TPK
AE-OD-GY-100[UV,HV]-[D,P,M]-30-T2	S-T0AF75	AE-OD-GY-200[UV,HV]-[D,P,M]-30-T2	S-5UQ70C
AE-OD-GY-100[UV,HV]-[D,P,M]-30-T3	S-IRHY1X	AE-OD-GY-200[UV,HV]-[D,P,M]-30-T3	S-KW36GH
AE-OD-GY-100[UV,HV]-[D,P,M]-30-T4	S-2186H1	AE-OD-GY-200[UV,HV]-[D,P,M]-30-T4	S-5HVF86
AE-OD-GY-100[UV,HV]-[D,P,M]-30-T5	S-ZCSORW	AE-OD-GY-200[UV,HV]-[D,P,M]-30-T5	S-N3LPZC
AE-OD-GY-100[UV,HV]-[D,P,M]-40-T2	S-9XVZS4	AE-OD-GY-200[UV,HV]-[D,P,M]-40-T2	S-OPWJST
AE-OD-GY-100[UV,HV]-[D,P,M]-40-T3	S-8RK9XE	AE-OD-GY-200[UV,HV]-[D,P,M]-40-T3	S-6QW4V9
AE-OD-GY-100[UV,HV]-[D,P,M]-40-T5	S-HAE7CS	AE-OD-GY-200[UV,HV]-[D,P,M]-40-T5	S-Z2CKNA
AE-OD-GY-100[UV,HV]-[D,P,M]-50-T2	S-N0KLGB	AE-OD-GY-200[UV,HV]-[D,P,M]-50-T2	S-QM8ST2
AE-OD-GY-100[UV,HV]-[D,P,M]-50-T3	S-PER297	AE-OD-GY-200[UV,HV]-[D,P,M]-50-T3	S-P4JZO5
AE-OD-GY-100[UV,HV]-[D,P,M]-50-T5	S-P70HZQ	AE-OD-GY-200[UV,HV]-[D,P,M]-50-T5	S-7STMU5
AE-OD-GY-100HV-[D,P,M]-40-T4	S-EN2PK4	AE-OD-GY-200HV-[D,P,M]-40-T4	S-8IV5T1
AE-OD-GY-100HV-[D,P,M]-50-T4	S-CM3JDQ	AE-OD-GY-200HV-[D,P,M]-50-T4	S-T9GH7K
AE-OD-GY-100UV-[D,P,M]-40-T4	S-S7WEOT	AE-OD-GY-200UV-[D,P,M]-40-T4	S-6FYGV5
AE-OD-GY-100UV-[D,P,M]-50-T4	S-EBOUP6	AE-OD-GY-200UV-[D,P,M]-50-T4	S-ZF5ANB

DATE	
PROJECT NAME	
TYPE	
QTY	
ORDERING CODE	AE-OD-GY - - - -T - -

DLC MODELS

DLC MODEL	PRODUCT ID
AE-OD-GY-240[UV,HV]-[D,P,M]-30-T2	S-P81ROT
AE-OD-GY-240[UV,HV]-[D,P,M]-30-T3	S-SC57HZ
AE-OD-GY-240[UV,HV]-[D,P,M]-30-T4	S-4OUVB8
AE-OD-GY-240[UV,HV]-[D,P,M]-30-T5	S-J4CZAI
AE-OD-GY-240[UV,HV]-[D,P,M]-40-T2	S-OJEMW4
AE-OD-GY-240[UV,HV]-[D,P,M]-40-T3	S-V3XC9Q
AE-OD-GY-240[UV,HV]-[D,P,M]-40-T5	S-PW82VU
AE-OD-GY-240[UV,HV]-[D,P,M]-50-T2	S-7MBVO9
AE-OD-GY-240[UV,HV]-[D,P,M]-50-T3	S-7K6XH0
AE-OD-GY-240[UV,HV]-[D,P,M]-50-T5	S-J7VF2A
AE-OD-GY-240HV-[D,P,M]-40-T4	S-0YIGH2
AE-OD-GY-240HV-[D,P,M]-50-T4	S-S0ZF8X
AE-OD-GY-240UV-[D,P,M]-40-T4	S-KUA03V
AE-OD-GY-240UV-[D,P,M]-50-T4	S-4XYEOK
AE-OD-GY-300[UV,HV]-[D,P,M]-30-T2	S-CP1L8M
AE-OD-GY-300[UV,HV]-[D,P,M]-30-T3	S-VPRLIG
AE-OD-GY-300[UV,HV]-[D,P,M]-30-T4	S-SZ79GL
AE-OD-GY-300[UV,HV]-[D,P,M]-30-T5	S-ZAX9HJ
AE-OD-GY-300[UV,HV]-[D,P,M]-40-T2	S-VT51MD
AE-OD-GY-300[UV,HV]-[D,P,M]-40-T3	S-4XNFI6
AE-OD-GY-300[UV,HV]-[D,P,M]-40-T5	S-C9USRE
AE-OD-GY-300[UV,HV]-[D,P,M]-50-T2	S-VRS2YA

DLC MODEL	PRODUCT ID
AE-OD-GY-300[UV,HV]-[D,P,M]-50-T3	S-FVN5Z9
AE-OD-GY-300[UV,HV]-[D,P,M]-50-T5	S-U507RW
AE-OD-GY-300HV-[D,M,P,N]-40-T4	S-BPG61U
AE-OD-GY-300HV-[D,M,P,N]-50-T4	S-CPR6Y2
AE-OD-GY-300UV-[D,M,P,N]-40-T4	S-109G4Y
AE-OD-GY-300UV-[D,M,P,N]-50-T4	S-EWNB7D
AE-OD-GY-300UV-[D,P,M]-30(M)-T2	S-23BD8C
AE-OD-GY-300UV-[D,P,M]-30(M)-T3	S-3EJBOZ
AE-OD-GY-300UV-[D,P,M]-30(M)-T4	S-KYZMU2
AE-OD-GY-300UV-[D,P,M]-30(M)-T5	S-GJBM A9
AE-OD-GY-300UV-[D,P,M]-40(M)-T2	S-R798ZL
AE-OD-GY-300UV-[D,P,M]-40(M)-T3	S-W92ZDR
AE-OD-GY-300UV-[D,P,M]-40(M)-T4	S-I8EOPH
AE-OD-GY-300UV-[D,P,M]-40(M)-T5	S-M14Z59
AE-OD-GY-300UV-[D,P,M]-50(M)-T2	S-V8O0LP
AE-OD-GY-300UV-[D,P,M]-50(M)-T3	S-CRDOK9
AE-OD-GY-300UV-[D,P,M]-50(M)-T4	S-617953
AE-OD-GY-300UV-[D,P,M]-50(M)-T5	S-NQ435E
AE-OD-GY-300UV-[D,P,M]-57(M)-T2	S-8SIP49
AE-OD-GY-300UV-[D,P,M]-57(M)-T3	S-ZF8ACE
AE-OD-GY-300UV-[D,P,M]-57(M)-T4	S-PW42TX
AE-OD-GY-300UV-[D,P,M]-57(M)-T5	S-CSNGY2

LUMEN ESTIMATE

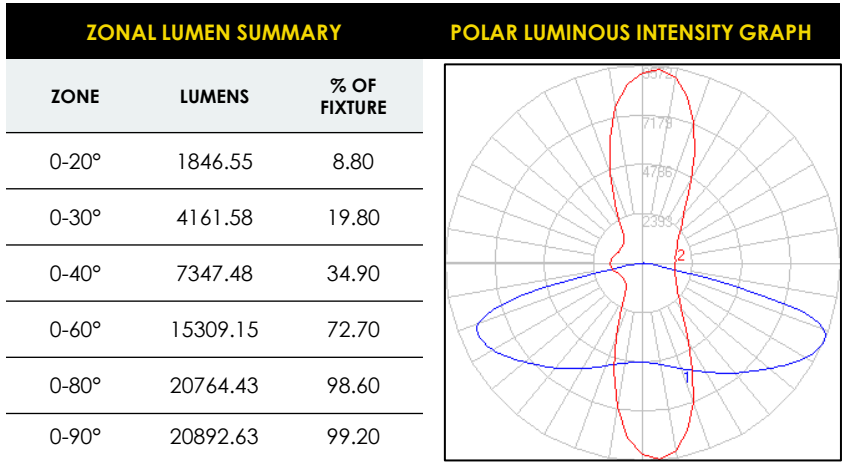
Lumen output varies based on CCT and CRI. An estimate of lumen output of the various CCT/CRI combinations, use correction factors as per table below:

LUMEN ESTIMATE ADJUSTMENT FACTORS				
CCT	2700K	3000K	3500K	4000K
NORMAL (70CRI)	0.91	0.94	0.97	1

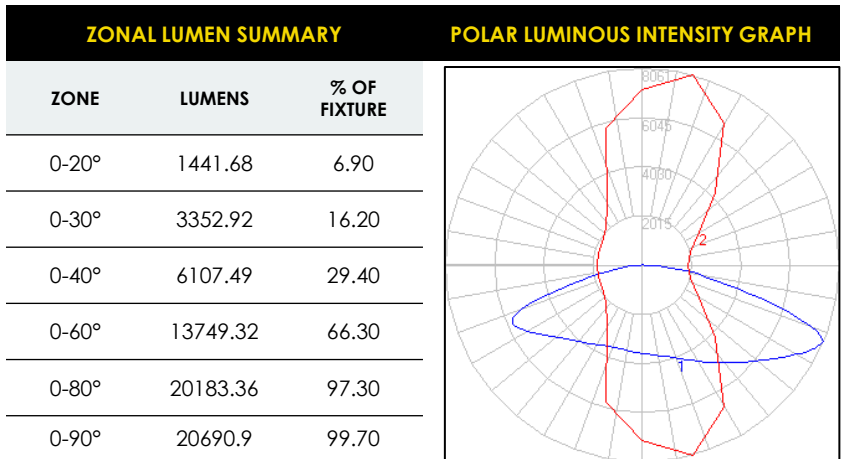
DATE	
PROJECT NAME	
TYPE	
QTY	
ORDERING CODE	AE-OD-GY - - - -T - -

PHOTOMETRIC DATA

AE-OD-GY-150UV-D-40-T2-X-XX
 TYPE 2 DISTRIBUTION
 150 WATTS
 4000K CCT
 70 CRI
 120-277 V



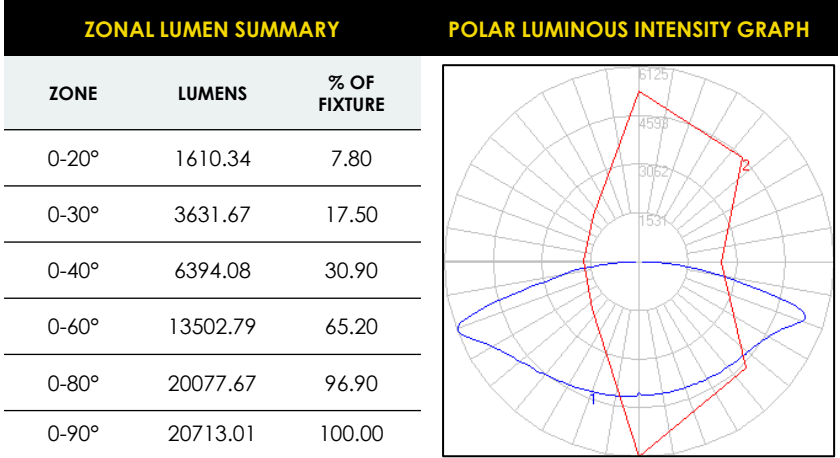
AE-OD-GY-150UV-D-40-T3N-X-XX
 TYPE 3 FORWARD DISTRIBUTION
 150 WATTS
 4000K CCT
 70 CRI
 120-277 V



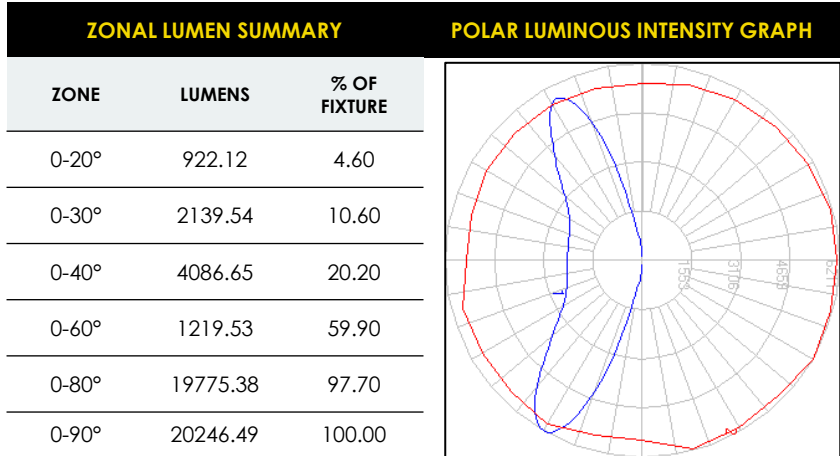
DATE	
PROJECT NAME	
TYPE	
QTY	
ORDERING CODE	AE-OD-GY - - - -T - -

PHOTOMETRIC DATA(CONTINUED)

AE-OD-GY-150UV-D-40-T4-X-XX
 TYPE 4 DISTRIBUTION
 150 WATTS
 4000K CCT
 70 CRI
 120-277 V



AE-OD-GY-150UV-D-40-T5-X-XX
 TYPE 5 DISTRIBUTION
 150 WATTS
 4000K CCT
 70 CRI
 120-277 V

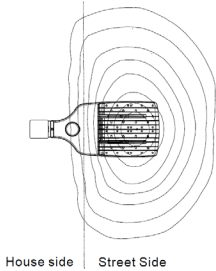


DATE	
PROJECT NAME	
TYPE	
QTY	
ORDERING CODE	AE-OD-GY - - - -T - -

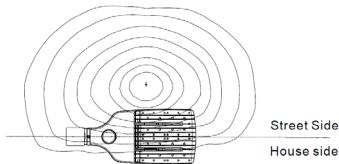
LIGHT DISTRIBUTION

Select from forward throw, left, or right rotated Type 3 distributions enabling you to adhere to strict light spillage regulations.

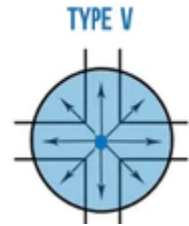
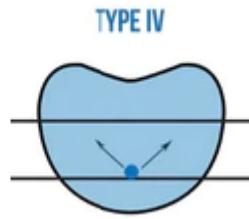
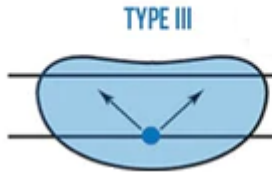
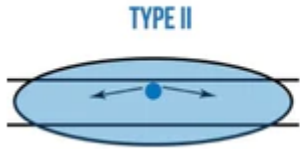
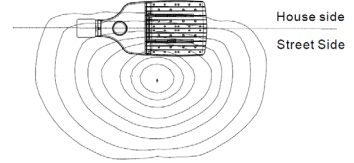
Type 3 forward throw (T3N)



Type 3 left rotated (T3L)

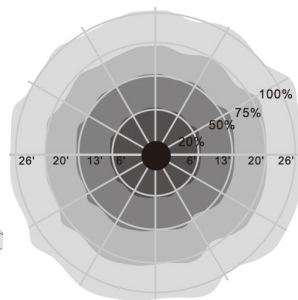
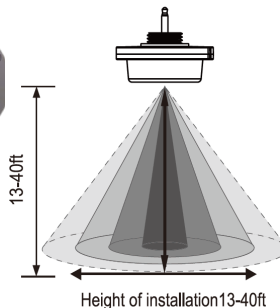
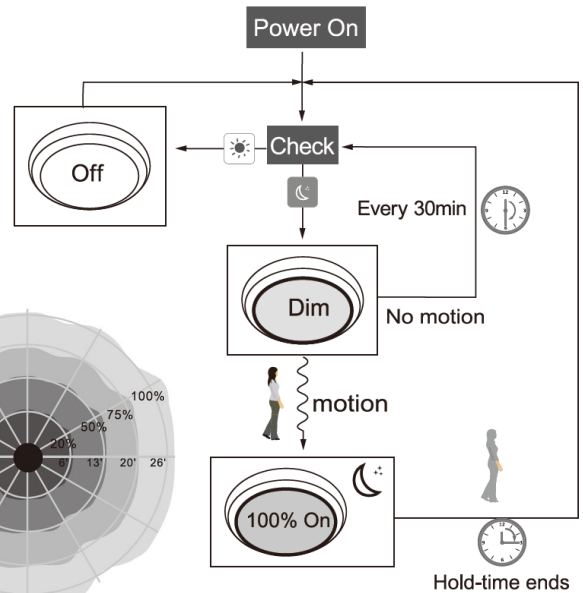


Type 3 right rotated (T3R)



Microwave sensor

- The light switches on at 100% when there is movement detected in a selected range
- Light dims for a stand-by time after the hold time finishes.
- The light can stay on at dimming level in dark



DATE							
PROJECT NAME							
TYPE							
QTY							
ORDERING CODE	AE-OD-GY	-		-	-	-T	-

OVERVIEW

ENERGY-EFFICIENT

High efficacy output of up to 135 lumen per watt at 70 CRI will enhance your outdoor project space while reducing energy expenditure.



PREMIUM MATERIALS AND DESIGN

Constructed from aluminum die-cast for superior structural strength, coupled with a heat sink designed directly into the fixture's housing allows for enhanced thermal heat dissipation using no additional mechanical components.



ACCESSORIES

Select microwave motion sensor, or even photocell cap enhancing your fixture's abilities.

MULTIPLE MOUNTING METHODS

Choose from direct bracket, slip fitter, or yoke mounting each with an adjustable angle.

