

# GUARDIANS

eralux®

## LED COMMERCIAL DOWNLIGHT

### Recessed High Output Downlight | 4", 5" & 6" Round

The GUARDIANS series is designed for easy installation with a spring and roto lock mechanism, making it ideal for both retrofits and new construction. Its durable aluminum housing ensures long-lasting reliability. Offering a variety of lumen output and CCT options, this series provides exceptional flexibility. The wide beam angle and high lumen output make it an excellent choice for illuminating large, high-ceiling spaces.

Applications: Art Galleries | Show Rooms | Retail Stores | Hotel Lobby

	DATE	QTY	ACC. QTY	TYPE
PROJECT				
PN				
ACCESSORY PN				
NOTES				



#### DYNAMIC MENU

Order Information	<a href="#">Page 2</a>
Dimensions	<a href="#">Page 3</a>
Accessories	<a href="#">Page 4</a>
Photometric Data	<a href="#">Page 6</a>

[Install Instruction link](#)

#### SPECIFICATIONS

Input Voltage	120-277V
Power Factor	>0.9
Total Harmonic Distortion	<20%
Dimming	TRIAC & 0-10V dimming (down 10%)
UGR	Low glare UGR<16
CRI	90 CRI
CCT	<input checked="" type="radio"/> 27K <input type="radio"/> 30K <input type="radio"/> 35K <input type="radio"/> 40K <input type="radio"/> 50K
Efficacy	~80-90 lm/W
Size and Power	4"   20   25W 5"   20   25   30   35W 6"   20   25   30   35   40   45W
Ambient Temperature Range	-20°C to 40°C
Mounting Options	New construction   Retrofit
Reflector Finish	<input checked="" type="radio"/> Black <input type="radio"/> Silver <input type="radio"/> White <input type="radio"/> Yellow
Trim Shape	<input checked="" type="radio"/> Round
Trim Finish	<input checked="" type="radio"/> Black <input type="radio"/> White
Distribution	<input checked="" type="radio"/> 24° <input type="radio"/> 38° <input type="radio"/> 60°



#### PRODUCT FEATURE



#### PRODUCT CERTIFICATIONS



#### SYSTEM WARRANTY – 5 YEARS

Eralux will warrant defective drivers, LEDs and boards for 5 years from the date of purchase. This warranty is valid only if the fixture is installed and used as per installation guides and specifications. If a defect is present, Eralux will send drivers and boards at no fee with a thorough replacement instructions along with instructions on the return of the defective parts back to Eralux.

#### LUMEN MAINTENANCE – L85 at 50,000 hours

Rated for 85% initial lumen output at 50,000 hours of operation, operated at 25°C ambient temperature; per guidelines published by the Illuminating Engineering Society (IES).

## LED COMMERCIAL DOWNLIGHT

Recessed High Output Downlight | 4", 5" & 6" Round



### ORDERING GUIDE

<b>AE-DL-GR</b>			<b>-X</b>					
<b>AE-DL-GR</b> ERALUX Guardians Series Led commercial downlight	<b>-4-UV-20W</b> 4"   20W   1694 lm <b>-4-UV-25W</b> 4"   20W   2190 lm	<b>-5-UV-20W</b> 5"   20W   1694 lm <b>-5-UV-25W</b> 5"   25W   2190 lm <b>-5-UV-30W</b> 5"   30W   2441 lm <b>-5-UV-35W</b> 5"   35W   3016 lm	<b>-6-UV-20W</b> 6"   20W   1694 lm <b>-6-UV-25W</b> 6"   25W   2190 lm <b>-6-UV-30W</b> 6"   30W   2441 lm <b>-6-UV-35W</b> 6"   35W   3016 lm <b>-6-UV-40W</b> 6"   40W   3600 lm <b>-6-UV-45W</b> 6"   45W   4056 lm	<b>-WH</b> White <b>-BK</b> Black <b>-GD</b> Gold <b>-DF</b> Diffused matt silver <b>-SP</b> Specular bright silver	<b>-X</b> Dual dimming: 0-10V & TRIAC Dimming	<b>P27</b> 2700K <b>P30</b> 3000K <b>P35</b> 3500K <b>P40</b> 4000K <b>P50</b> 5000K	<b>24</b> 24° <b>38</b> 38° <b>60</b> 60°	<b>BK</b> Black finish <b>WH</b> White finish

Fixture Family	Size   Power	Reflector Finish	Controls	CCT	Distribution	Trim Finish
----------------	--------------	------------------	----------	-----	--------------	-------------

\* Only 20W & 25W options are IC Rated



### ORDERING GUIDE – FRAME KIT | CHICAGO PLENUM | EMBB

<b>AE-DL-FRKT</b> ERALUX FRAME KITS Downlights <b>AE-DL-FRKT-PL<sup>2</sup></b> Chicago Plenum Downlights	<b>-04</b> 4 Inches <b>-05</b> 5 Inches <b>-06</b> 6 Inches	<b>-UNV<sup>1</sup></b>	<b>[BLANK]</b> No EMBB <b>BLD-HM8D-YYY</b> 8W emergency battery backup
Fixture Family	SIZE	TYPE	EMBB

- Junction Box is not included. Guardian Series comes with a junction box by default.
- Chicago Plenum available for 4 and 6 inches.

## LED COMMERCIAL DOWNLIGHT

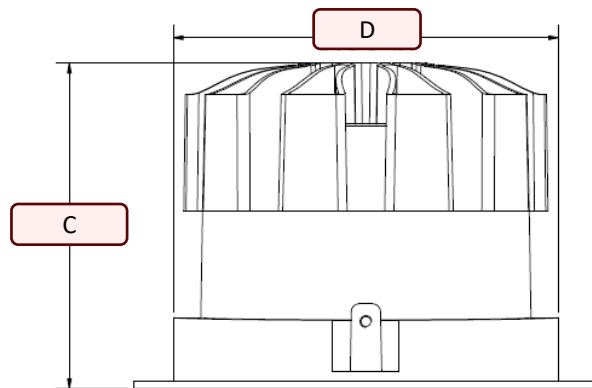
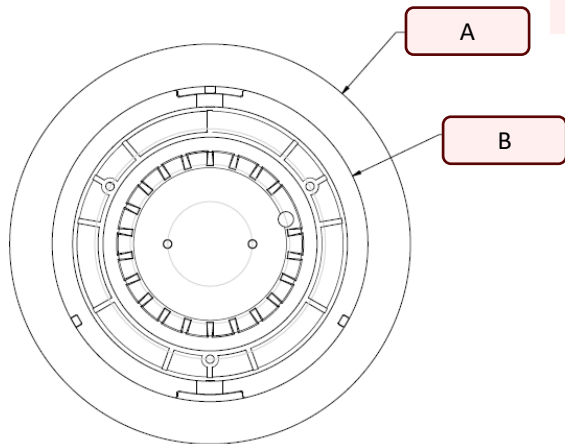
Recessed High Output Downlight | 4", 5" & 6" Round

### DIMENSIONS

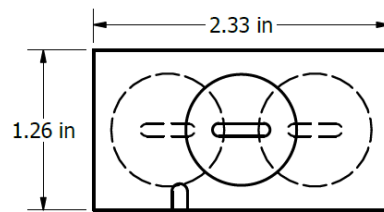
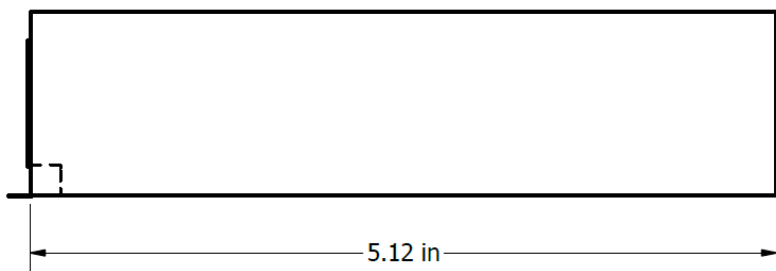
FIXTURE			
	Guardians 4"	Guardians 5"	Guardians 6"
A	Ø 4.65 in	Ø 5.63 in	Ø 6.61 in
B	Ø 3.66 in	Ø 4.72 in	Ø 5.64 in
C	3.25 in	3.54 in	4.33 in
D	Ø 3.86 in	Ø 4.84 in	Ø 5.83 in
E	Ø 3.9-5.4 in	Ø 4.9-5.4 in	Ø 5.9-6.4 in



Ceiling cut-out:  
E



### DRIVER



### CEILING THICKNESS

4 inch - SPRING MECHANISM

5/6 inch - ROTO-LOCK MECHANISM



## LED COMMERCIAL DOWNLIGHT

Recessed High Output Downlight | 4", 5" & 6" Round

### REFLECTOR FINISH



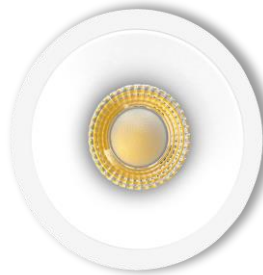
Gold



Diffused  
Matt Silver



Black



White

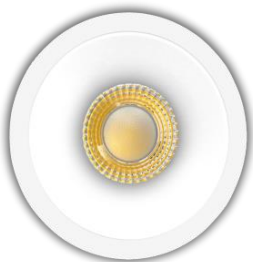


Specular  
Bright Silver

### TRIM FINISH



Black



White

### FIXING MECHANISM

4 inch - SPRING MECHANISM



Spring clips snapping over the ceiling for simple installation and easy readjustments.

5/6 inch - ROTO-LOCK MECHANISM



Roto-lock mechanism for a rigid fixation on the ceiling simply by tightening the two screws under the reflector.

## LED Commercial Downlight

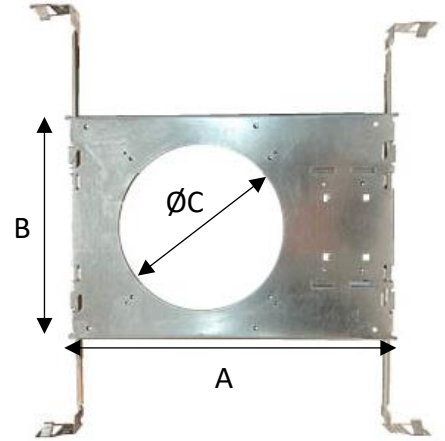
Recessed Downlight | 4", 6" & 8" Round

### MOUNTING ACCESSORIES

Ordered separately, field installed.

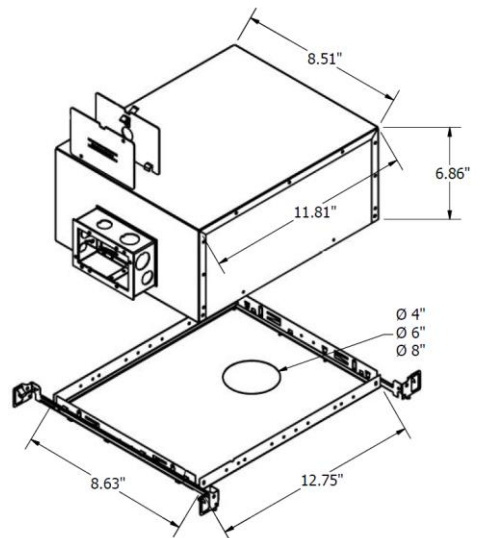
#### NEW CONSTRUCTION UNIVERSAL FRAME KIT

SPECIFICATIONS			
<b>MATERIAL</b>	22-gauge galvanized steel housing		
<b>MOUNTING</b>	T-bar or drywall ceilings Up to 1.5" thick		
<b>LENGTH (A)</b>	12.75 inch		
<b>WIDTH (B)</b>	8.63 inch		
OPENING SIZE			
ORDERING CODE	SIZE	SHAPE	C
AE-DL-FRKT-04-UNV	4"	Round	4.20" Ø
AE-DL-FRKT-05-UNV	5"	Round	4.92" Ø
AE-DL-FRKT-06-UNV	6"	Round	6.37" Ø



### CHICAGO PLENUM

SPECIFICATIONS			
<b>MATERIAL</b>	27-gauge galvanized steel frame Galvanized steel junction box with gasket		
<b>MOUNTING</b>	T-bar or drywall ceilings Up to 1.5" thick		
OPENING SIZE			
ORDERING CODE	SIZE	SHAPE	C
AE-DL-FRKT-PL-04	4"	Round	4" Ø
AE-DL-FRKT-PL-06	6"	Round	6" Ø



COMPONENTS
Chicago Plenum External Cover
Chicago Plenum Internal Cover
Chicago Plenum I.C. Box
Chicago Plenum 4-inch Plaster Frame
Chicago Plenum 6-inch Plaster Frame
Chicago Plenum 8-inch Plaster Frame
Chicago Plenum Suspension Bars (2 sets)

## LED COMMERCIAL DOWNLIGHT

Recessed High Output Downlight | 4", 5" & 6" Round

### CONTROLS

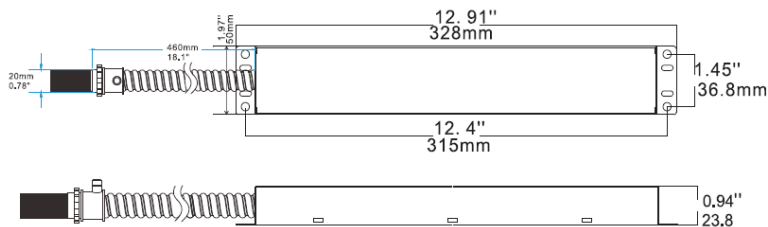
Ordered separately, field installed

### EMERGENCY LED DRIVER (BLD-HMXXD-YYY)

BLD-HM8D-YYY



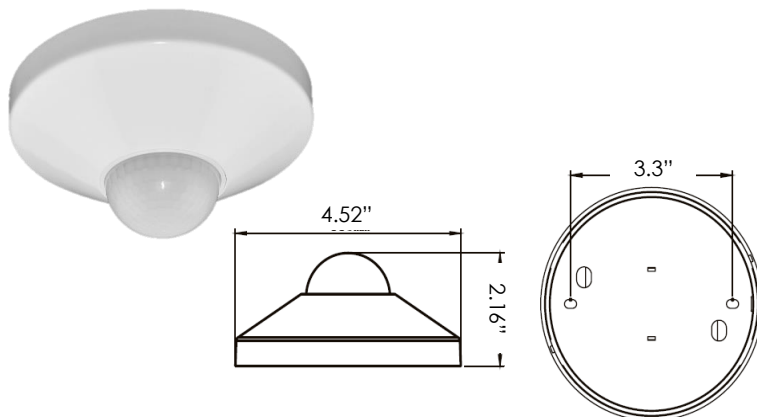
The BLD-HMXXD-YYY series LED Emergency Driver is UL listed for field and factory installations. It switches to emergency mode during power failures, providing up to 90 minutes of lighting. With an integrated battery, charger, and converter, it delivers 6-25W constant power at 170VDC. Ideal for 0-10V dimmable indoor commercial LED fixtures, such as flat panels, troffers, downlights, and linear strip lights.



SPECIFICATIONS	
Input Voltage	100-347 Vac
Power Frequency	50/60HZ
Input Power	8W max
Output Voltage	170V Dc
Output Power	8W
Ambient Temperature	0°C to 50°C
	30°F to 122°F
Installation	Remote

### ROOM OCCUPANCY SENSOR

PART NUMBER	DESCRIPTION
AE-CT-DT806	Detecta - Room Occupancy Sensor
RC102	RC102 Remote Control



SPECIFICATIONS	
Input Voltage	120-277 Vac
Power Frequency	50/60HZ
Rated Load	At 120 Vac 800W
	At 277 Vac 1200W
Detection Range	3-10 Meters
	9.8- 32.8 Feet
Standby Power	~0.9W
Time Setting	10 sec to 30 min
Light Control	10-2,000LUX
Installation	Ceiling Mounted

## LED COMMERCIAL DOWNLIGHT

Recessed High Output Downlight | 4", 5" & 6" Round

### LUMENS ESTIMATE

Lumen output varies based on CCT and CRI. An estimate of lumen output of the various CCT/CRI combinations, use correction factors as per table below:

LUMEN ESTIMATE ADJUSTMENT FACTORS				
CCT	2700K	3000K	3500K	4000K
PREMIUM (90CRI)	0.96	1	1.03	1.06

### PHOTOMETRIC DATA

PART NUMBER		ZONAL LUMEN SUMMARY			POLAR LUMINOUS INTENSITY		CONE DISTRIBUTION		
AE-DL-GR-4		Zone	Lumens	% Fixture	Direct Light		Center Beam Fc		Beam Width
Wattage	20W	0-20°	1262.8	67.3		2.5ft	1113 fc	1.1 ft	1.1 ft
CCT	3000K	0-30°	1587.42	84.6		5.0ft	278 fc	2.2 ft	2.2 ft
Distribution	24°	0-40°	1751	93.3		7.5ft	124 fc	3.4 ft	3.4 ft
SIZE	4"	0-60°	1829	97.5		10.0ft	69.6 fc	4.5 ft	4.5 ft
		0-80°	1830.05	97.6		12.5ft	44.5 fc	5.6 ft	5.6 ft
		0-90°	1830.37	97.6		15.0ft	30.9 fc	6.7 ft	6.7 ft
					■ Vert. Spread: 25.2° ■ Horiz. Spread: 25.2°				

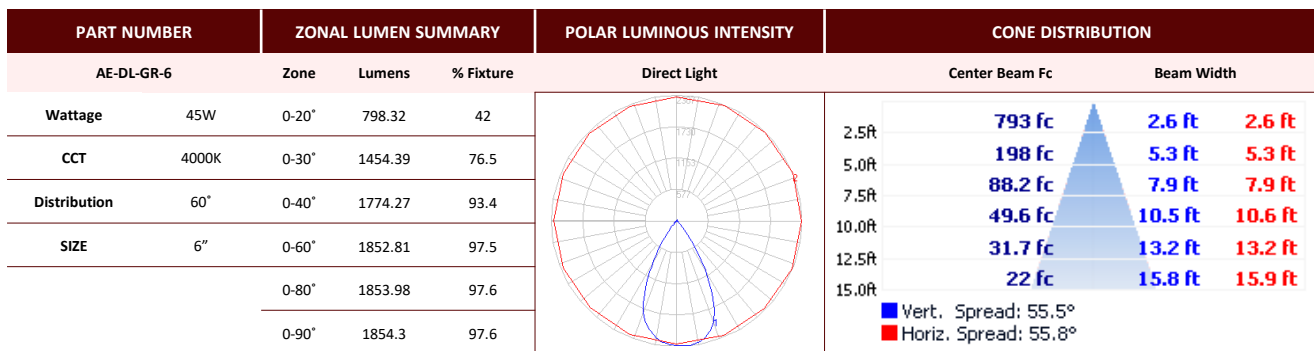
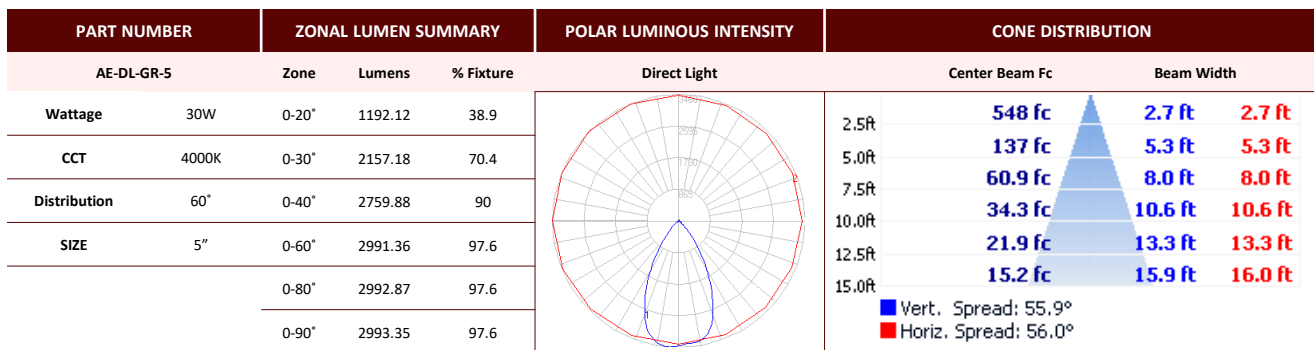
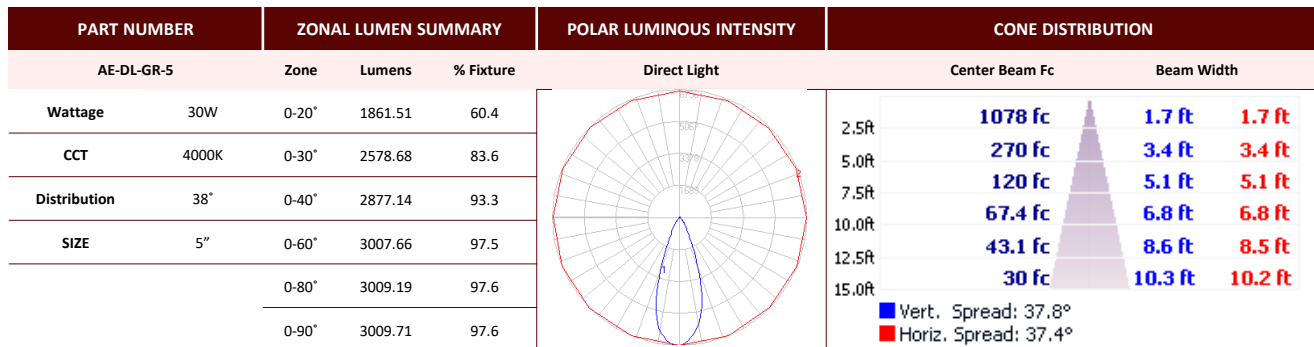
PART NUMBER		ZONAL LUMEN SUMMARY			POLAR LUMINOUS INTENSITY		CONE DISTRIBUTION		
AE-DL-GR-4		Zone	Lumens	% Fixture	Direct Light		Center Beam Fc		Beam Width
Wattage	25W	0-20°	1489.71	67.4		2.5ft	1679 fc	1.2 ft	1.2 ft
CCT	3000K	0-30°	1871.48	84.6		5.0ft	420 fc	2.4 ft	2.4 ft
Distribution	24°	0-40°	2064.2	93.3		7.5ft	187 fc	3.6 ft	3.6 ft
SIZE	4"	0-60°	2155.92	97.5		10.0ft	105 fc	4.8 ft	4.8 ft
		0-80°	2157.14	97.5		12.5ft	67.2 fc	6.1 ft	6.0 ft
		0-90°	2157.51	97.6		15.0ft	46.6 fc	7.3 ft	7.2 ft
					■ Vert. Spread: 27.3° ■ Horiz. Spread: 27.0°				

PART NUMBER		ZONAL LUMEN SUMMARY			POLAR LUMINOUS INTENSITY		CONE DISTRIBUTION		
AE-DL-GR-5		Zone	Lumens	% Fixture	Direct Light		Center Beam Fc		Beam Width
Wattage	30W	0-20°	2059.45	67.6		2.5ft	1679 fc	1.2 ft	1.2 ft
CCT	4000K	0-30°	2595.93	85.3		5.0ft	420 fc	2.4 ft	2.4 ft
Distribution	24°	0-40°	2838.94	93.2		7.5ft	187 fc	3.6 ft	3.6 ft
SIZE	5"	0-60°	2968.7	97.5		10.0ft	105 fc	4.8 ft	4.8 ft
		0-80°	2970.31	97.5		12.5ft	67.2 fc	6.1 ft	6.0 ft
		0-90°	2970.83	97.6		15.0ft	46.6 fc	7.3 ft	7.2 ft
					■ Vert. Spread: 27.3° ■ Horiz. Spread: 27.0°				

## LED COMMERCIAL DOWNLIGHT

Recessed High Output Downlight | 4", 5" & 6" Round

### PHOTOMETRIC DATA





## LED COMMERCIAL DOWNLIGHT

Recessed High Output Downlight | 4", 5" & 6" Round

### OVERVIEW



#### Protection

- IP54 & IC RATED (limited powers)
- Suitable for semi outdoor and wet areas and safe to be in contact with insulation



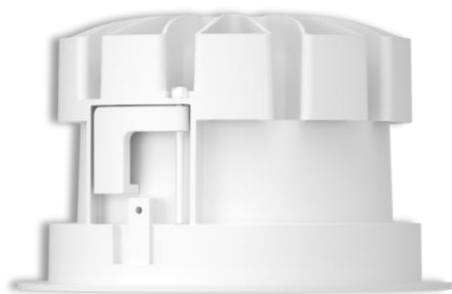
#### Multiple Options

- Three sizes 4", 5", and 6"
- Five CCT options from 2700K to 5000K
- Three distributions (24°, 38° and 60°)
- Two trim colors
- Five reflector finishes



#### Accessories

- New construction frame kit.
- Emergency back up battery.



#### Tests And Certifications



Emergency backup battery

#### IC RATED POWER

20W

25W