

INFINITA EVOLVE

LED COMMERCIAL DOWNLIGHT
RECESSED DOWNLIGHT



eralux®



The Infinita EVOLVE Series LED downlight is the ideal solution for high end finish to the ceiling space. Driven to provide customization on site, the Infinita offers possibilities beyond the normal downlight in terms of flexible lumens output and flexible CCT adjustments. With a 5000 lumens output at 90 CRI, the Infinita presents itself as an opportunity to redefine high ceilings across the commercial spaces.

DATE

PROJECT NAME

TYPE

QTY

ORDERING CODE

AE-DL-IF-08-59W-010-P3050-WH

OPERATING & ELECTRICAL

INPUT VOLTAGE 120-277 V

POWER FACTOR 0.9

TOTAL HARMONIC DISTORTION (THD) <20%

PERFORMANCE

LUMENS PER WATT 84 LPW at 90CRI

BEAM ANGLE 90°

DIMMING 0-10V
(Dim down to 10%)

MECHANICAL & HOUSING

HOUSING Aluminum die cast housing for strength and optimal heatsinking

LENS Highly durable polycarbonate lens.
Reflector made from spun aluminum available in white along with a white flange.

FINISH White reflector

POWER SUPPLY Factory wired electronic LED driver

LED BOARD LED Array

SPRING Stainless steel spring-action clips

APPLICATION CONDITION

AMBIENT TEMPERATURE RANGE -20 °C to 40°C

PROTECTION Wet location rated

COMPATIBLE MOUNTING

MOUNTING New construction or retrofit
Mounted with stainless steel spring-action housing clips.

WARRANTY

SYSTEM WARRANTY – 5 YEARS

Eralux will warrant defective drivers, LEDs and boards for 5 years from the date of purchase. This warranty is valid only if the fixture is installed and used as per installation guides and specifications. If a defect is present, Eralux will send drivers and boards at no fee with a thorough replacement instructions along with instructions on the return of the defective parts back to Eralux.

LUMEN MAINTENANCE – L85 at 50,000 hours

Rated for 85% initial lumen output at 50,000 hours of operation, operated at 25°C ambient temperature; per guidelines published by the Illuminating Engineering Society (IES).

INFINITA EVOLVE

LED COMMERCIAL DOWNLIGHT
RECESSED DOWNLIGHT

DATE	
PROJECT NAME	
TYPE	
QTY	
ORDERING CODE	AE-DL-IF-08-59W-010-P3050-WH

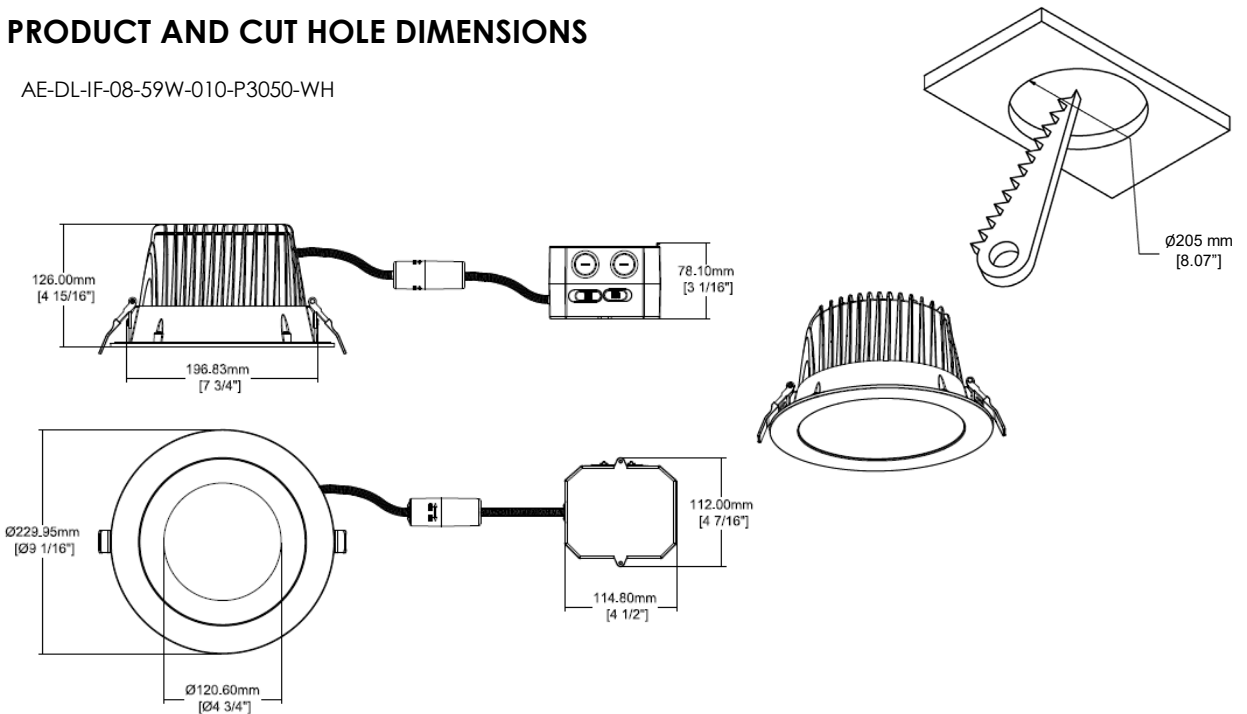
ORDERING GUIDE

EXAMPLE: AE-DL-IF-08-59W-010-P3050-WH

FIXTURE FAMILY	SHAPE & SIZE	POWER	CONTROLS	CRI & CCT	REFLECTOR FINISH
AE-DL-IF-	08-	59W-	010-	P3050	-WH
AE-DL-IF- ERALUX Infinita EVOLVE recessed downlight	08- 8" Round housing	59W- 34/46/59 watt: 3000/4000/5000 lumen – White reflector	010- 0-10V external dimming down to 10%	P3050 90 CRI 3000K, 3500K, 4000K, 5000K	-WH White smooth cone reflector with white flange

PRODUCT AND CUT HOLE DIMENSIONS

AE-DL-IF-08-59W-010-P3050-WH



INFINITA EVOLVE

LED COMMERCIAL DOWNLIGHT
RECESSED DOWNLIGHT

DATE	
PROJECT NAME	
TYPE	
QTY	
ORDERING CODE	AE-DL-IF-08-59W-010-P3050-WH

LUMEN ESTIMATE

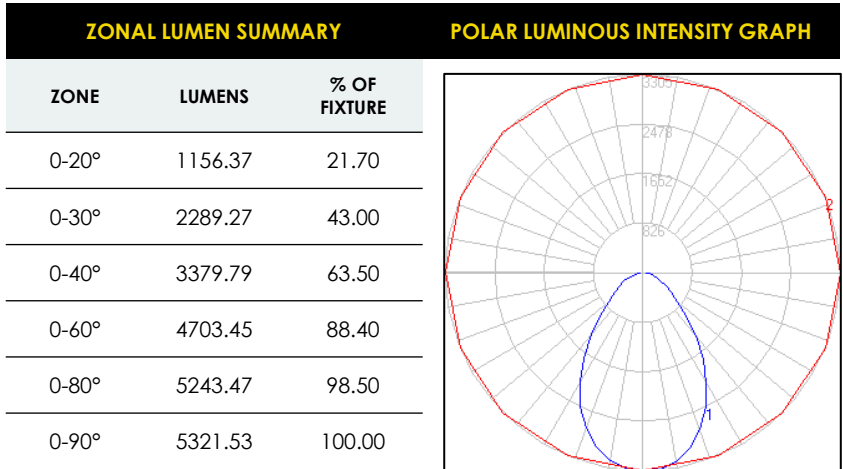
Lumen output varies based on CCT and CRI. An estimate of lumen output of the various CCT/CRI combinations, use correction factors as per table below:

LUMEN ESTIMATE ADJUSTMENT FACTORS

CCT	2700K	3000K	3500K	4000K
NORMAL (90CRI)	.97	1	1.03	1.05

PHOTOMETRIC DATA

AE-DL-IF-08-59W-010-P3050-WH
(59W, White cone reflector)



INFINITA EVOLVE

LED COMMERCIAL DOWNLIGHT
RECESSED DOWNLIGHT

DATE	
PROJECT NAME	
TYPE	
QTY	
ORDERING CODE	AE-DL-IF-08-59W-010-P3050-WH

ACCESSORIES

Ordered separately, field installed

NEW CONSTRUCTION UNIVERSAL FRAME KIT

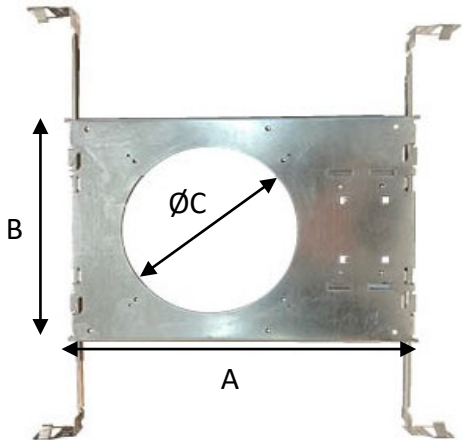


MATERIAL 22-gauge galvanized steel housing

MOUNTING T-bar or drywall ceilings
Up to 1.5" thick

Ordering Code AE-DL-FRKT-08-UNV-INF

FRAME KIT DIMENSIONS



DIMENSIONS

4" Round	A	12.75" [324 mm]
	B	8.63" [219 mm]
	C	Ø 4.50" [114 mm]
6" Round	A	12.75" [324mm]
	B	8.63" [219 mm]
	C	Ø 6.37" [162 mm]
8" Round	A	12.75" [324mm]
	B	8.63" [219 mm]
	C	Ø 7.25" [184 mm]

INFINITA EVOLVE

LED COMMERCIAL DOWNLIGHT
RECESSED DOWNLIGHT

DATE	
PROJECT NAME	
TYPE	
QTY	
ORDERING CODE	AE-DL-IF-08-59W-010-P3050-WH

ACCESSORIES (Continued)

Ordered separately, field installed

EMERGENCY LED DRIVER (BLD-HMXXD-YYY)

BLD-HM8D-YYY

OUTPUT POWER : 8 WATTS

BLD-HM25D-YYY

OUTPUT POWER : 25 WATTS



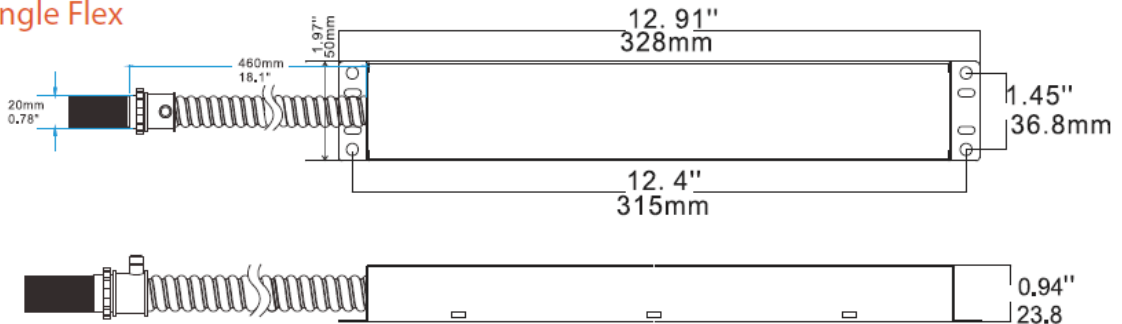
Single Flex(Standard)

- Easy Wiring
- Certified For CA Title 20
- Constant Power Performance

BLD-HMXXD-YYY series LED Emergency Driver is UL listed for field and factory installation that allows the same LED fixture to be used for both normal and emergency operation . In the event of a power failure , the emergency driver switches to emergency mode and operates the existing. Fixture to 90 minutes. The unit contains a battery , charge , and converter circuit in a single enclosure .This module will operate an LED array load at 6-25W with constant power at a rated output voltage of 170VDC. The constant power design of BLD-HMXXD-YYY maintains the output wattage to LED array, providing consistent illumination for entire emergency runtime. Ideal for use with most 0-10V dimmable indoor commercial LED lighting fixtures, such as LED flat panel, troffer, downlight and suspension mounting LED linear strip lights, etc.

DIMENSIONS (inches and mm)

Single Flex



INFINITA EVOLVE

LED COMMERCIAL DOWNLIGHT
RECESSED DOWNLIGHT

DATE	
PROJECT NAME	
TYPE	
QTY	
ORDERING CODE	AE-DL-IF-08-59W-010-P3050-WH

OVERVIEW



8" Round housing



CCT SWITCHABLE

3000K, 3500K, 4000K, 5000K CCT options are available with 3 power options of 34/46/59 watt on single fixture. Easily fulfill all kinds of project requirement from our customers.

RETROFIT OR NEW CONSTRUCTION

Durable stainless steel spring action housing clips for retrofit installations or purchase with the new construction frame kit for new constructions.

HIGH-END FIXTURE

Radial engine shape conveniences wire arrangement and reduces engine weight without sacrificing aesthetics.

