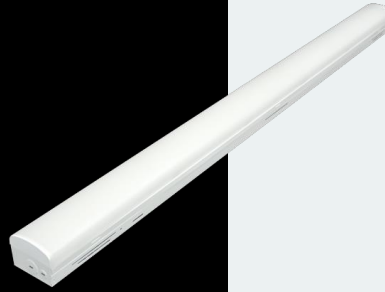


JOBBER

LINEAR FIXTURES

Led Linear Strip Fixture



eralux®



The JOBBER series is the economical and yet discrete replacement for linear fixtures. They are available in 4- and 8-foot lengths and are designed to meet installation needs for surface mounted requirements. Furthermore, this luminaire offers a performance above 130 LPW while showing great versatility in operating voltage from 120 to 347V. Luminous part is integrated and fastened to fixture body by snap-locks which makes it easy to open fixtures. Field-adjustable light output and CCT options.

DATE	
PROJECT NAME	
TYPE	
QTY	
ORDERING CODE	AE-SF-JBCA- - -835-50 - -

OPERATING & ELECTRICAL

INPUT VOLTAGE	120-347V
POWER FACTOR	0.9
DIMMING	0-10V
TOTAL HARMONIC DISTORTION (THD)	<20%

PERFORMANCE

LUMENS PER WATT	≥130 LPW at 80CRI
POWER	2FT: 25/20/15W Switchable 4FT: 45/38/34W Switchable 8FT: 90/75/65W Switchable
DISTRIBUTION	Lambertian

MECHANICAL & HOUSING

HOUSING	Sheet metal stamping
LENS	PMMA lens
ACCESSORIES	Optional wire guard
FINISH	White Black
POWER SUPPLY	Factory wired electronic LED driver
LED BOARD	LED Array

APPLICATION CONDITION

AMBIENT TEMPERATURE RANGE	-20°C to 50°C
---------------------------	---------------

COMPATIBLE MOUNTING

MOUNTING	Surface mount Suspension cable mount
----------	---

WARRANTY

SYSTEM WARRANTY – 5 YEARS

Eralux will warrant defective drivers, LEDs and boards for 5 years from the date of purchase. This warranty is valid only if the fixture is installed and used as per installation guides and specifications. If a defect is present, Eralux will send drivers and boards at no fee with a thorough replacement instructions along with instructions on the return of the defective parts back to Eralux.

LUMEN MAINTENANCE – L75 at > 100,000 hours

Rated for 75% initial lumen output at more than 100,000 hours of operation, operated at 25°C ambient temperature; per guidelines published by the Illuminating Engineering Society (IES).

“Not all product variations listed on this page are DLC qualified with the LUNA designation. Visit <https://qpl.designlights.org/> to confirm qualification.”

DATE					
PROJECT NAME					
TYPE					
QTY					
ORDERING CODE	AE-SF-JBCA-		-835-50	-	-

ORDERING GUIDE

EXAMPLE: AE-SF-JBCA-0445/38/34-835-50

FIXTURE FAMILY	INPUT VOLTAGE	LENGTH	POWER	CCT	SENSOR	FINISH
AE-SF-JB	CA-			-835-50	-	-
AE-SF-JB ERALUX Jobber linear strip fixture	CA- 120-347Vac	02 2FT length	25/20/15 25 watts: ~3,250 lumens 20 watts: ~2,600 lumens 15 watts: ~1,950 lumens	-835-50 80 CRI CCT Switchable: 3500K/4000K/5000K	[BLANK]	[BLANK] ERALUX White finish
		04 4FT length 47.3"	45/38/34 45 watts: ~5,895 lumens 38 watts: ~4,978 lumens 34 watts: ~4,454 lumens			
		08 8FT length 94.2"	90/75/65 90 watts: ~11,790 lumens 75 watts: ~9,825 lumens 65 watts: ~8,515 lumens		90min Duration	-BK ERALUX Atomic Black finish
					-MS Bi-level motion sensor	

CAUTION: If there are multiple fixtures connected to the same 0-10V dimming line, a 0-10V controller must be considered to enable consistent dimming across the fixtures. Failure to do so will lead to inconsistent dimming and behaviors in the fixtures. Single switch is not recommended for controlling multiple fixtures simultaneously.

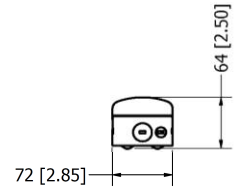
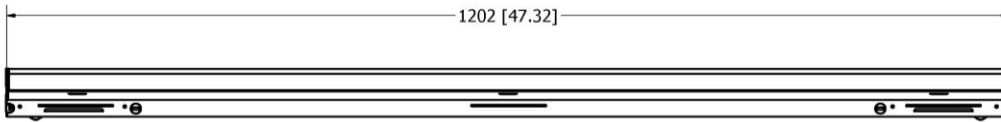
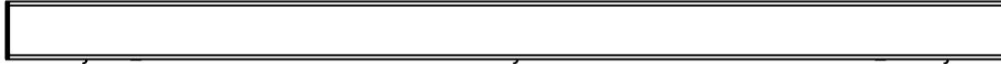
DLC MODELS

DLC MODELS	PRODUCT ID
AE-SF-JBCA-0225/20/15-835-50	S-5WKUYX (STAIRWELL AND PASSAGEWAYS)
AE-SF-JBCA-0445/38/34-835-50	S-7N3OGX
AE-SF-JBCA-0890/75/65-835-50	S-BSKVP8
AE-SF-JBCA-0890/75/65-835-50	S-92K3PE (STAIRWELL AND PASSAGEWAYS)
AE-SF-JBCA-0445/38/34-835-50	S-6HZI84 (STAIRWELL AND PASSAGEWAYS)

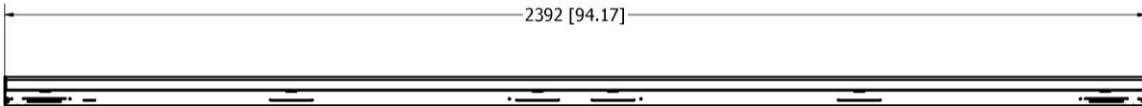
DATE						
PROJECT NAME						
TYPE						
QTY						
ORDERING CODE	AE-SF-JBCA-			-835-50	-	-

PRODUCT DIMENSIONS (in mm)

AE-SF-JBCA-0445/38/34-835-50



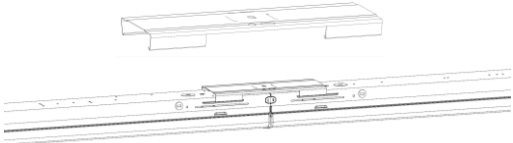


AE-SF-JBCA-0890/75/65-835-50



ACCESSORIES

Ordered separately, field installed

PART NUMBER	DESCRIPTION	PICTURE
AE-SF-JB-04-WRG	4FT Wire Guard – 1 piece (order 2 pieces for 8FT fixture)	
AE-SF-JB-CMK	Cable mount kit: 3-meter suspension cable & V hook for cable mount	
AE-SF-JB-ROWLINK	Row mount kit: Row link	

DATE					
PROJECT NAME					
TYPE					
QTY					
ORDERING CODE	AE-SF-JBCA-			-835-50	-

LUMEN ESTIMATE

Lumen output varies based on CCT and CRI. An estimate of lumen output of the various CCT/CRI combinations, use correction factors as per table below:

LUMEN ESTIMATE ADJUSTMENT FACTORS

CCT	3500K	4000K	5000K
NORMAL (80CRI)	0.97	1	1.03

PHOTOMETRIC DATA

AE-SF-JBCA-0445/38/34-835-50

4FT

45 WATTS

5000K CCT

ZONAL LUMEN SUMMARY			POLAR LUMINOUS INTENSITY GRAPH
ZONE	LUMENS	% OF FIXTURE	
0-20°	710.49	12.60	
0-30°	1499.7	26.60	
0-40°	2440.02	43.30	
0-60°	4302.55	76.30	
0-80°	5467.13	96.90	
0-90°	5639.98	100.00	

DIMMER COMPATIBILITY LIST

0-10V Dimmer
LUTRON NTSTV-DV
LUTRON NFTV
LUTRON DVTV
LUTRON DVSTV
LEVITON IP710
LEVITON DS710
LEGRAND RH4FBL3PW

DATE					
PROJECT NAME					
TYPE					
QTY					
ORDERING CODE	AE-SF-JBCA-		-835-50	-	-

OVERVIEW



EFFICIENT DESIGN

Integrated lens and modular metal plate making the installation a breeze! The thin and lightweight design is ideal for long-distance shipping and installation.

HIGH-EFFICACY

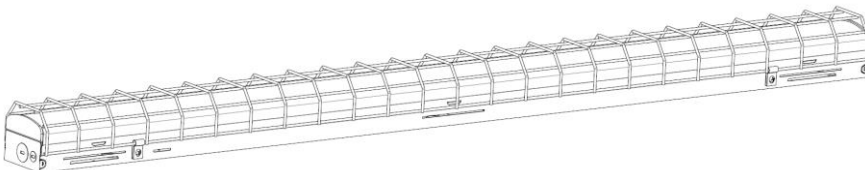
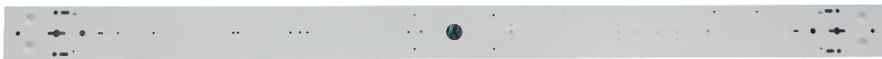
Performance 130 lumens per watt gives great energy savings for your project space.

CCT & POWER SELECTABLE

2 lengths (4/8ft), each comes with 3 CCT options (3500/4000/5000K) and 3 different power settings for each length that could fulfill various project requirements.

GREAT VERSATILITY

Default surface mount and optional cable mount suspension cable along with optional wire guard accessory gives the fixture great versatility for different demands.



Wire Guard Option