

JSQ

LINEAR FIXTURES

Led Linear Strip Fixture



The JSQ series is the economical and yet discrete replacement for linear fixtures. They are available in 2-, 4- and 8-foot lengths and are designed to meet installation needs for surface mounted requirements. Furthermore, this luminaire offers a performance above 130 LPW while showing great versatility in operating voltage from 120 to 347V. Luminous part is integrated and fastened to fixture body by snap-locks which makes it easy to open fixtures. Field-adjustable light output and CCT options.

DATE						
PROJECT NAME						
TYPE						
QTY						
ORDERING CODE	AE-SF-JSQCA	-		-835-50	-	-

OPERATING & ELECTRICAL

INPUT VOLTAGE	120-347V
POWER FACTOR	0.9
DIMMING	0-10V
TOTAL HARMONIC DISTORTION (THD)	<20%

PERFORMANCE

LUMENS PER WATT	130 LPW at 80CRI
POWER	2FT: 25/20/15W Switchable 4FT: 40/30/20W Switchable 8FT: 70/60/50W Switchable
BEAM ANGLE	120°

MECHANICAL & HOUSING

HOUSING	Sheet metal stamping
LENS	PC lens
FINISH	White
POWER SUPPLY	Factory wired electronic LED driver
LED BOARD	LED Array

APPLICATION CONDITION

AMBIENT TEMPERATURE RANGE	-20°C to 45°C
---------------------------	---------------

COMPATIBLE MOUNTING

MOUNTING	Surface Mount Suspension Cable Mount
----------	---

WARRANTY

SYSTEM WARRANTY – 5 YEARS

Eralux will warrant defective drivers, LEDs and boards for 5 years from the date of purchase. This warranty is valid only if the fixture is installed and used as per installation guides and specifications. If a defect is present, Eralux will send drivers and boards at no fee with a thorough replacement instructions along with instructions on the return of the defective parts back to Eralux.

LUMEN MAINTENANCE – L85 at > 100,000 hours

Rated for 85% initial lumen output at more than 100,000 hours of operation, operated at 25°C ambient temperature; per guidelines published by the Illuminating Engineering Society (IES).



“DesignLights Consortium® (DLC) qualified product. Not all versions of this product may be DLC qualified. Please check the DLC Qualified Products List at www.designlights.org/QPL to confirm which versions are qualified”

DATE					
PROJECT NAME					
TYPE					
QTY					
ORDERING CODE	AE-SF-JSQCA	-		-835-50	-

ORDERING GUIDE

EXAMPLE: AE-SF-JSQCA-0225-835-50-SMT

FIXTURE FAMILY	LENGTH	POWER	CCT	CONTROLS	Mount
AE-SF-JSQCA	-		-835-50	-	-
AE-SF-JSQCA JSQ linear strip fixture	02 Length 23.97"	25 25/20/15W 3250/2600/1950 lm	CCT/POWER SWITCHABLE. 35/40/50K	[BLANK] 0-10V Dim	SMT Surface Mount
	04 Length 48.03"	40 40/30/20W 5,200/3,900/2600 lm		-EM* EMBB (Emergency Battery Backup)	SUSP Linear Suspended
	08 Length 95.98"	70 70/60/50W 9,100/7,800/6,500 lm		90min Duration -MS Bi-level motion sensor	

* For 2FT , EM is not applicable

DLC MODELS

DLC MODELS	PRODUCT ID
AE-SF-JSQCA-0440-835-50-[Blank, EM, EMS, MS]	S-QRPS2Z (Direct Linear Ambient) – DLC
AE-SF-JSQCA-0440-835-50-[Blank, EM, EMS, MS]	S-H74Y96 (Stairwell and Passageway) – DLC PREMIUM
AE-SF-JSQCA-0870-835-50-[Blank, EM, EMS, MS]	S-T44D93 (Stairwell and Passageway) – DLC PREMIUM
AE-SF-JSQCA-0870-835-50-[Blank, EM, EMS, MS]	S-9KFKFK (Direct Linear Ambient) - DLC

DATE

PROJECT NAME

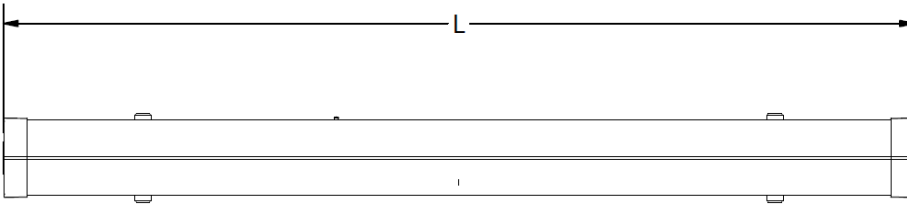
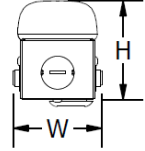
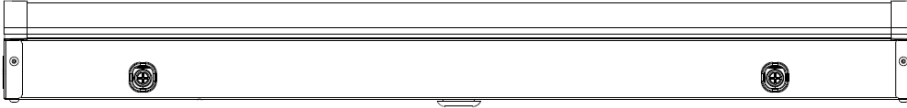
TYPE

QTY

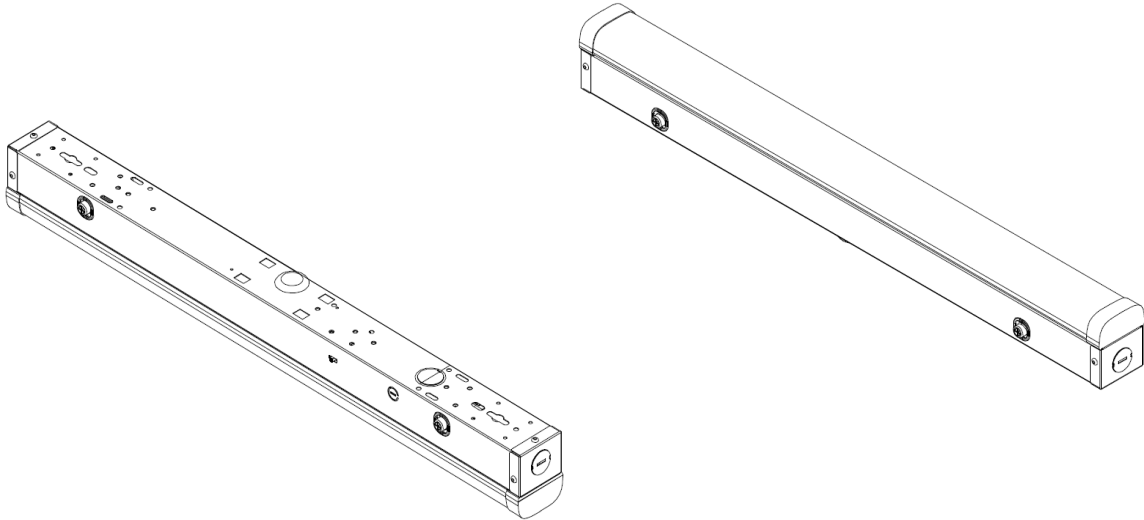
ORDERING CODE

AE-SF-JSQCA - -835-50 - -

PRODUCT DIMENSIONS







LENGTH (L)	WIDTH (W)	HEIGHT (H)
23.97"	2.33"	2.6"
48.03"	2.33"	2.6"
95.98"	2.33"	2.6"



DATE					
PROJECT NAME					
TYPE					
QTY					
ORDERING CODE	AE-SF-JSQCA	-	-835-50	-	-

ACCESSORIES

Ordered separately

PART NUMBER	DESCRIPTION	PICTURE
AE-SF-JSQCA-SUSP KIT	Suspension Kit (STANDALONE) 4 Suspension cables (8ft long) 4 Anchors 4 Screws	
AE-SF-JSQCA-SMT-KIT	Surface Mount Kit for Junction Box (STANDALONE) 4 Anchors 6 Screws 1 J-Box Adapter	
AE-SF-JSQCA-SUSP-LINK- KIT	Suspension Link Kit (CONTINUOUS) 8FT Suspension Wire 8 FT connecting cables	
AE-SF-JSQCA-SMT-LINK- KIT	Surface Link Kit (CONTINUOUS) 8 FT connecting cables	

DATE	
PROJECT NAME	
TYPE	
QTY	
ORDERING CODE	AE-SF-JSQCA - -835-50 - -

ACCESSORIES (Continued)

Ordered separately, field installed

EMERGENCY LED DRIVER (BLD-YTXXD-XXX)

BLD-YT08D-XXX

OUTPUT POWER : 8 WATTS

BLD-YT15D-XXX

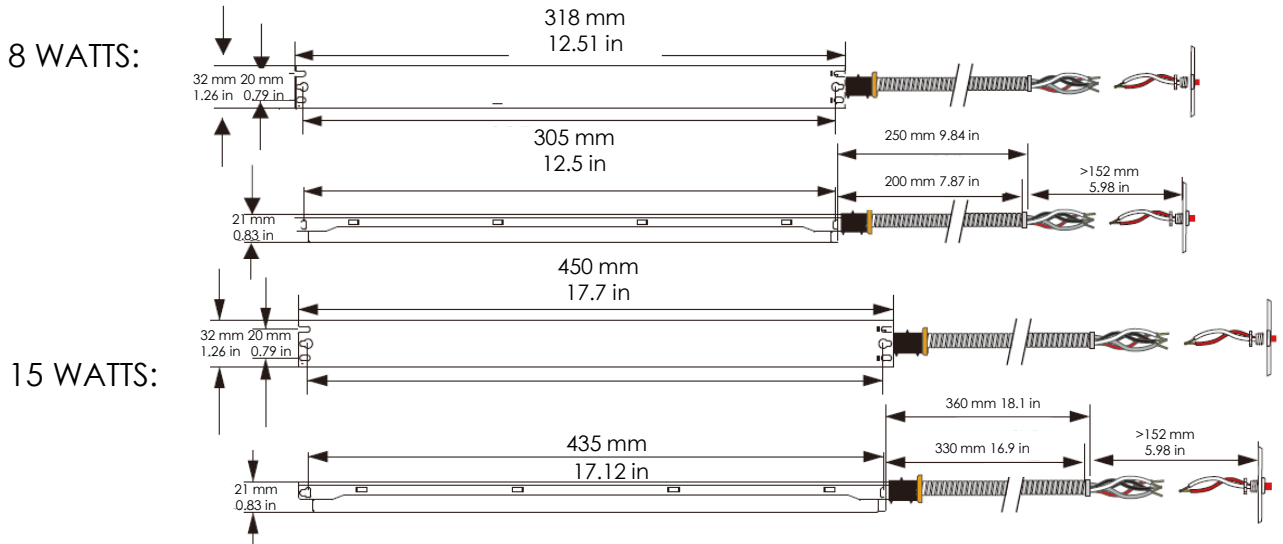
OUTPUT POWER : 15 WATTS



- Easy Wiring
- Certified For CA Title 20
- Constant Power Performance

BLD-YTXXD-XXX LED Emergency Driver is UL listed for field and factory installation that allows the same LED fixture to be used for both normal and emergency operation. In the event of a power failure, the emergency driver switches to emergency mode and operates the fixture for 90 minutes. This module will operate a LED array load at 8W or 15W with constant power at a rated output voltage of 30-60 VDC. The constant power design of BLD-YTXXD-XXX maintains the output wattage to the LED array, providing consistent illumination for the entire emergency runtime. Its slim shape is ideal for use in linear LED lighting fixtures.

DIMENSIONS (inches and mm)



DATE	
PROJECT NAME	
TYPE	
QTY	
ORDERING CODE	AE-SF-JSQCA - -835-50 - -

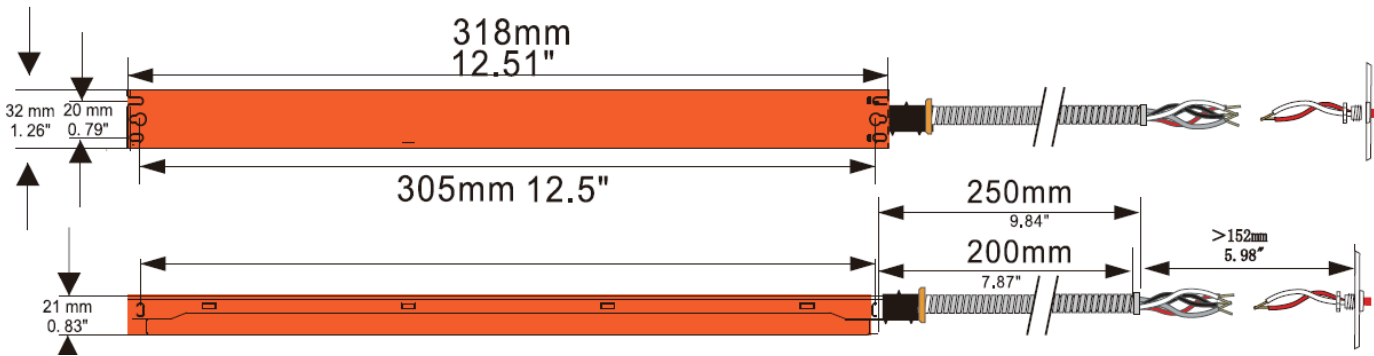
EMERGENCY LED DRIVER

FEATURES

INPUT VOLTAGE	POWER	MAX MOUNTING HEIGHT	CHARGE/DISCHARGE DURATION	ORDERING CODE
100-347V	8W MAX	16.5 FT	24H/1.5H	BLD-YT08-XXX

DIMENSIONS

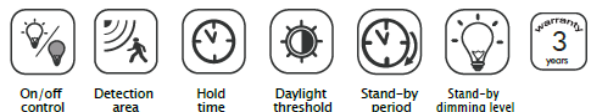
8W OUTPUT



MOTION SENSOR

FEATURES

TECHNICAL DATA	
Operating Voltage	12VDC
Operating Current	≤25mA
Output	0-10V
IP Rating	IP20
Operating Temperature	-20°C~+60°C
Motion Detection	0.5~1.5m/s
Mounting Height	2.5-4m 8.2-13.12ft (ceiling mounted)
Detection Range	ø4-10m 13.12-32.8ft (ceiling mounted)
Daylight threshold	2Lux/10Lux/50Lux/Disable



DATE					
PROJECT NAME					
TYPE					
QTY					
ORDERING CODE	AE-SF-JSQCA	-	-835-50	-	-

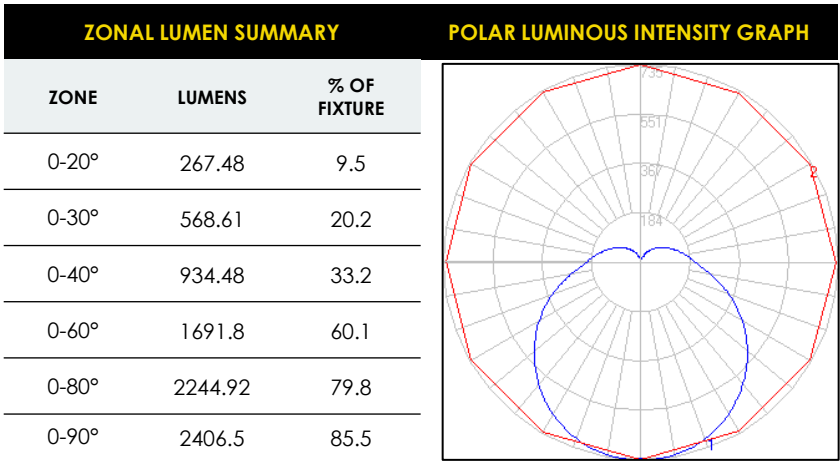
LUMEN ESTIMATE

Lumen output varies based on CCT and CRI. An estimate of lumen output of the various CCT/CRI combinations, use correction factors as per table below:

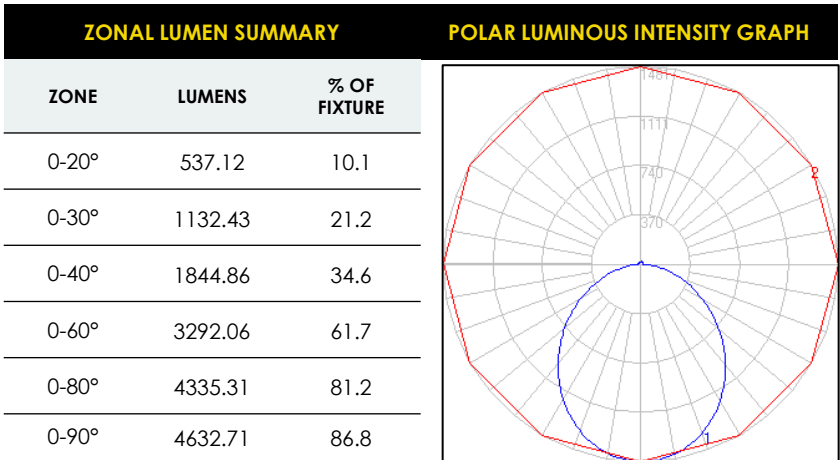
LUMEN ESTIMATE ADJUSTMENT FACTORS			
CCT	3500K	4000K	5000K
NORMAL (80CRI)	0.97	1	1.03

PHOTOMETRIC DATA

AE-SF-JSQCA-0220-835-50
 2FT
 20 WATTS
 4000K CCT



AE-SF-JSQCA-0440-835-50
 4FT
 40 WATTS
 4000K CCT

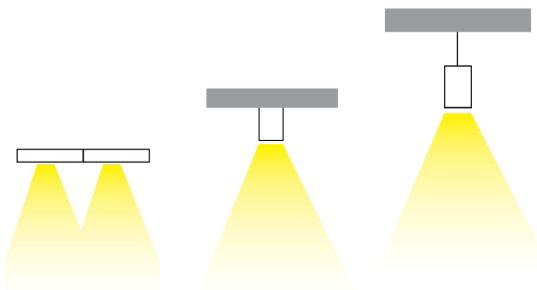


DATE					
PROJECT NAME					
TYPE					
QTY					
ORDERING CODE	AE-SF-JSQCA	-	-835-50	-	-

OVERVIEW

MOUNTING OPTIONS

JSQ Linear has several mounting options making it applicable for any scenario. It can be surface or suspended, stand alone or continuous runs.



EFFICIENT DESIGN

The integrated lens and modular metal plate make installation a breeze. The slim, lightweight design is ideal for shipping and installation over long distances.

HIGH-EFFICIENCY

Integrated lens and modular metal plate making the installation a breeze! The thin and lightweight design is ideal for long-distance shipping and installation.



CCT & POWER SELECTABLE

3 lengths (2/4/8ft), each comes with 3 CCT options (3500/4000/5000K) and 3 different power settings for each length that could fulfill various project requirements.

