

# KINETA MINI

LED COMMERCIAL DOWNLIGHT

RECESSED DOWNLIGHT



eralux®



The KINETA Series LED downlight are the ideal recessed downlight for any retrofit or new construction project. The spring-action housing clips facilitate the installation process. The KINETA separates itself from competitor downlights by having a super modular design with round and square, adjustable and fixed options. Replacing LED modules, mounting rings, beam lens and reflectors with no need for tools.

DATE	
PROJECT NAME	
TYPE	
QTY	
ORDERING CODE	AE-DL-KN -3 - -UV - -X - -

## OPERATING & ELECTRICAL

INPUT VOLTAGE 120-277 Vac

POWER FACTOR >0.9

TOTAL HARMONIC DISTORTION (THD) <20%

## PERFORMANCE

LUMENS PER WATT 80 LPW at 90CRI

BEAM ANGLE 15, 24, 38, 55°

POWER 10W, 15W

DIMMING 0-10V external dimming & Triac (Dim down to 10%) Dual dimming

## MECHANICAL & HOUSING

HOUSING Brushed metal

LENS PMMA and high transmittance lens

FINISH Brushed metal providing an elegant finish

POWER SUPPLY Factory wired electronic LED driver

LED BOARD LED Array

SPRING Stainless steel spring-action clips

## APPLICATION CONDITION

AMBIENT TEMPERATURE RANGE -10 °C to 40°C

PROTECTION IP20

## COMPATIBLE MOUNTING

MOUNTING Recessed

## WARRANTY

SYSTEM WARRANTY – 5 YEARS

Eralux will warrant defective drivers, LEDs and boards for 5 years from the date of purchase. This warranty is valid only if the fixture is installed and used as per installation guides and specifications. If a defect is present, Eralux will send drivers and boards at no fee with a thorough replacement instructions along with instructions on the return of the defective parts back to Eralux.

LUMEN MAINTENANCE – L70 at 50,000 hours

Rated for 70% initial lumen output at 50,000 hours of operation, operated at 25°C ambient temperature; per guidelines published by the Illuminating Engineering Society (IES).

# KINETA MINI

LED COMMERCIAL DOWNLIGHT

RECESSED DOWNLIGHT

DATE	
PROJECT NAME	
TYPE	
QTY	
ORDERING CODE	AE-DL-KN -3 - -UV - -X - -

## ORDERING GUIDE

EXAMPLE: AE-DL-KN-3-RA1BK-UV-10W-X-27-15

FIXTURE FAMILY	SIZE	REFLECTOR	REFLECTOR FINISH	VOLTAGE	POWER	CONTROLS	CCT	BEAM	MOUNTING RING
<b>AE-DL-KN</b>	<b>-3</b>	<b>-</b>		<b>-UV</b>	<b>-</b>	<b>-X</b>	<b>-</b>	<b>-</b>	<b>-</b>
<b>AE-DL-KN</b> ERALUX KINETA Mini Series recessed downlight	<b>-3</b> 3 inches	<b>-RA1*</b> Round Adjustable	<b>WH</b> White	<b>-UV</b> 120-277 V	<b>-10W</b> 10 watts; ~800 lms at 3000K and 38° beam angle for round adjustable reflector	<b>-X</b> 0-10V external dimming & Triac Dual dimming	<b>-27</b> 2700K CCT	<b>-15</b> 15° Beam angle	<b>-WHT</b> White Trim
			<b>BK</b> Black						
		<b>-SA1*</b> Square Adjustable	<b>SP</b> Specular bright silver		<b>-15W</b> 15 watts; ~1,100 lms at 3000K and 38° beam angle for round adjustable reflector		<b>-35</b> 3500K CCT	<b>-38</b> 38° Beam angle	<b>-WH-TL</b> White Trimless Finish
			<b>-RF1</b> Round Fixed						

Maximum tilt angle is 30° for adjustable reflectors.

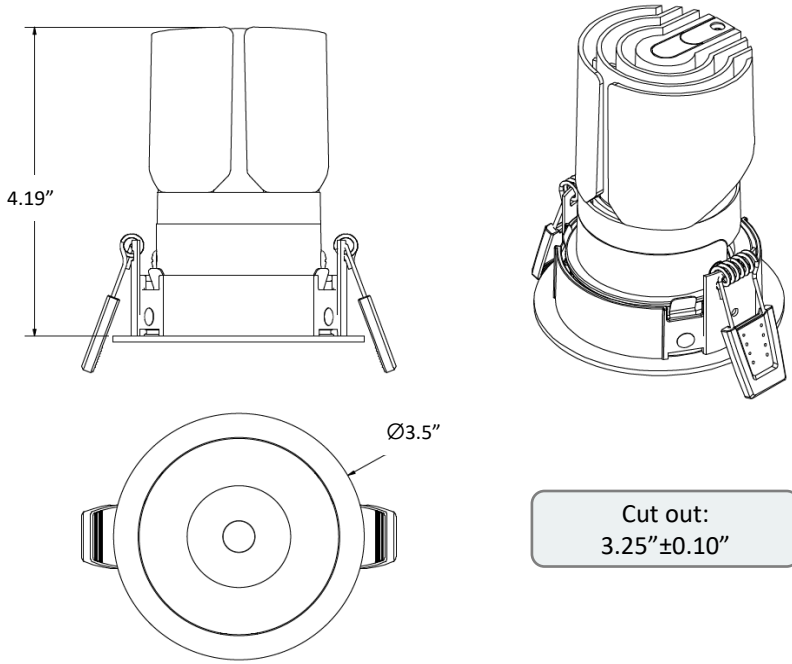
# KINETA MINI

LED COMMERCIAL DOWNLIGHT  
RECESSED DOWNLIGHT

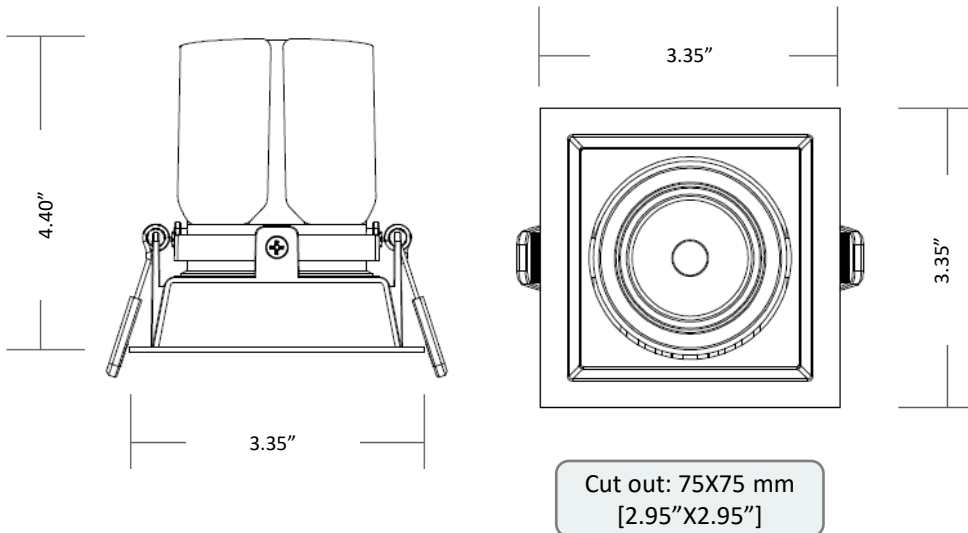
DATE	
PROJECT NAME	
TYPE	
QTY	
ORDERING CODE	AE-DL-KN -3 - -UV - -X - -

## PRODUCT DIMENSIONS (in inches)

KINETA ROUND TRIM



KINETA SQUARE TRIM



# KINETA MINI

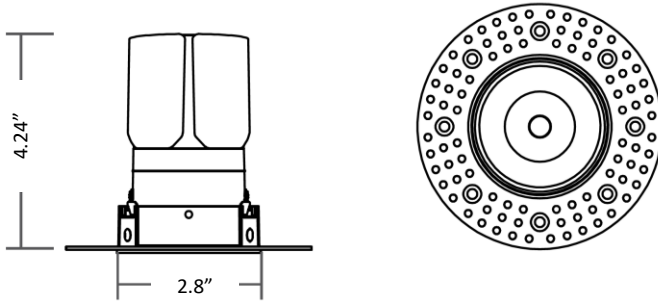
LED COMMERCIAL DOWNLIGHT  
RECESSED DOWNLIGHT

DATE								
PROJECT NAME								
TYPE								
QTY								
ORDERING CODE	AE-DL-KN	-3	-		-UV	-	-X	-

## PRODUCT DIMENSIONS ( in mm )

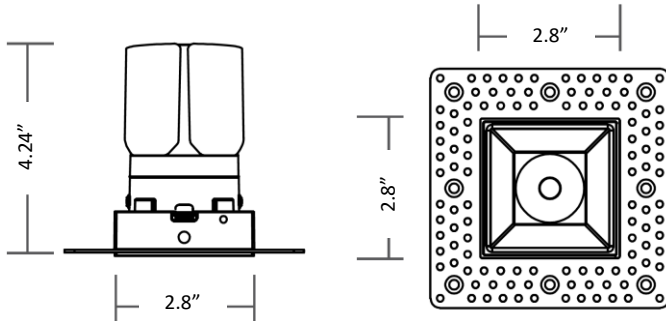
### TrimLess Version

KINETA ROUND TRIMLESS VERSION



Cut out:  $\varnothing 76$  mm [3"]

KINETA SQUARE TRIMLESS VERSION



Cut out:  $\varnothing 75 \times 75$  mm  
[2.95x2.95"]

# KINETA MINI

LED COMMERCIAL DOWNLIGHT  
RECESSED DOWNLIGHT

DATE									
PROJECT NAME									
TYPE									
QTY									
ORDERING CODE	AE-DL-KN	-3	-		-UV	-	-X	-	-

## ACCESSORIES

Ordered separately, field installed

## NEW CONSTRUCTION UNIVERSAL FRAME KIT



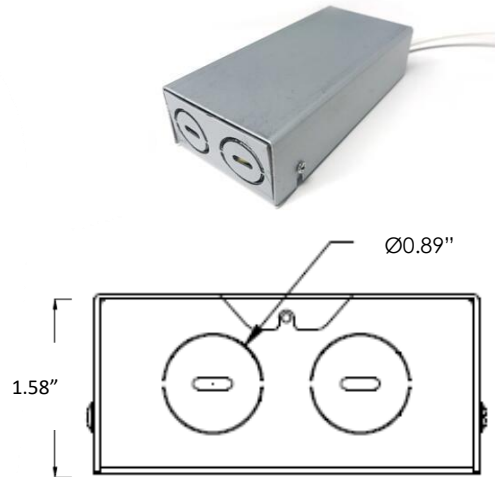
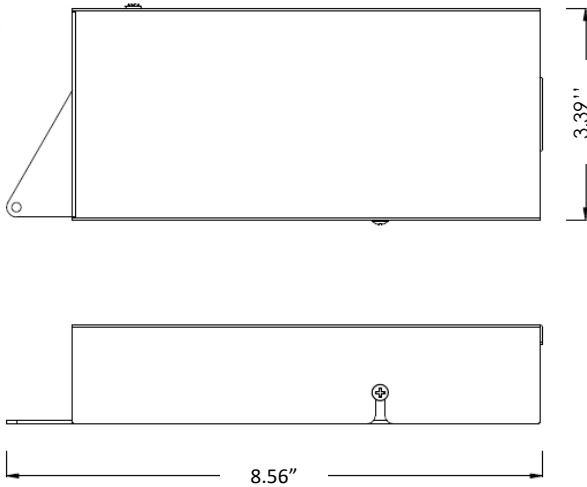
**MATERIAL** 22-gauge galvanized steel housing

**MOUNTING** T-bar or drywall ceilings  
Up to 1.5" thick

**Ordering Code** AE-DL-FRKT-03-UNV (round)  
AE-DL-FRKT-UNA-03-UNV (square)

## DIMENSIONS

Accompanied Junction Box



# KINETA MINI

LED COMMERCIAL DOWNLIGHT  
RECESSED DOWNLIGHT

DATE	
PROJECT NAME	
TYPE	
QTY	
ORDERING CODE	AE-DL-KN -3 - - -UV - -X - -

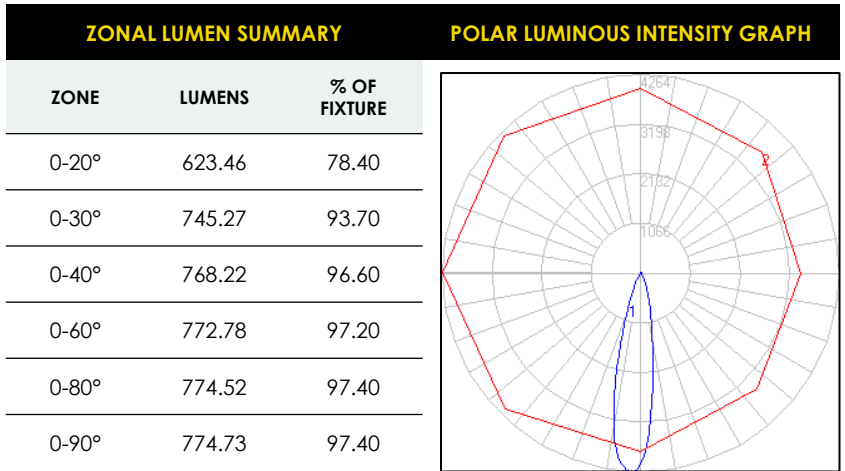
## LUMEN ESTIMATE

Lumen output varies based on CCT and CRI. An estimate of lumen output of the various CCT/CRI combinations, use correction factors as per table below:

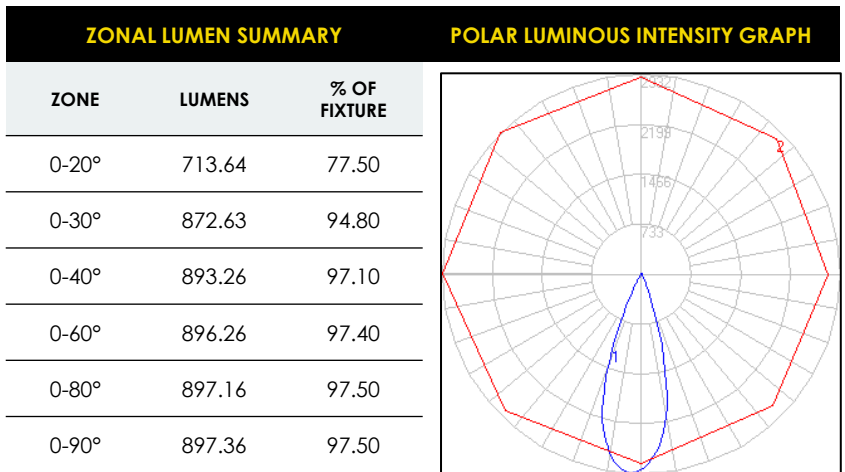
LUMEN ESTIMATE ADJUSTMENT FACTORS				
CCT	2700K	3000K	3500K	4000K
NORMAL (90CRI)	.94	1	1.02	1.03

## PHOTOMETRIC DATA

AE-DL-KN-3-RA1XX-UV-10W-X-30-15  
Round Adjustable 10W  
3000K CCT  
15°



AE-DL-KN-3-RA1XX-UV-10W-X-30-24  
Round Adjustable 10W  
3000K CCT  
24°



# KINETA MINI

LED COMMERCIAL DOWNLIGHT  
RECESSED DOWNLIGHT

DATE	
PROJECT NAME	
<b>TYPE</b>	
QTY	
ORDERING CODE	AE-DL-KN -3 - - -UV - - -X - -

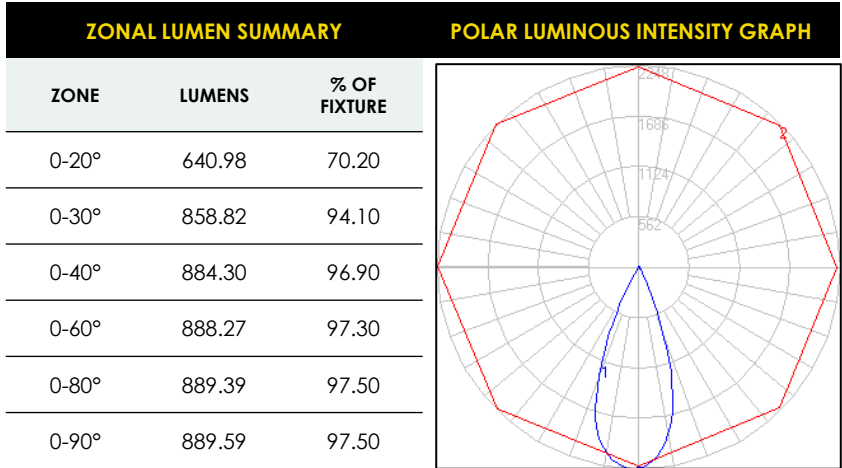
## PHOTOMETRIC DATA

AE-DL-KN-3-RA1XX-UV-10W-X-30-38

Round Adjustable 10W

3000K CCT

38°

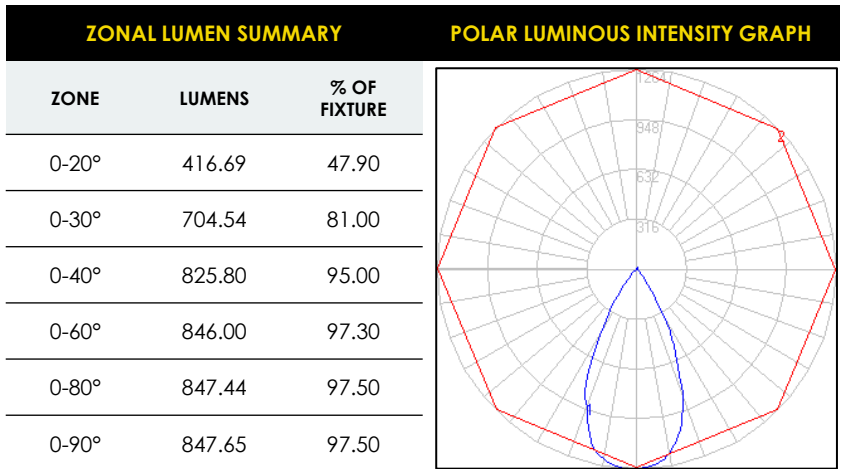


AE-DL-KN-3-RA1XX-UV-10W-X-30-55

Round Adjustable 10W

3000K CCT

55°

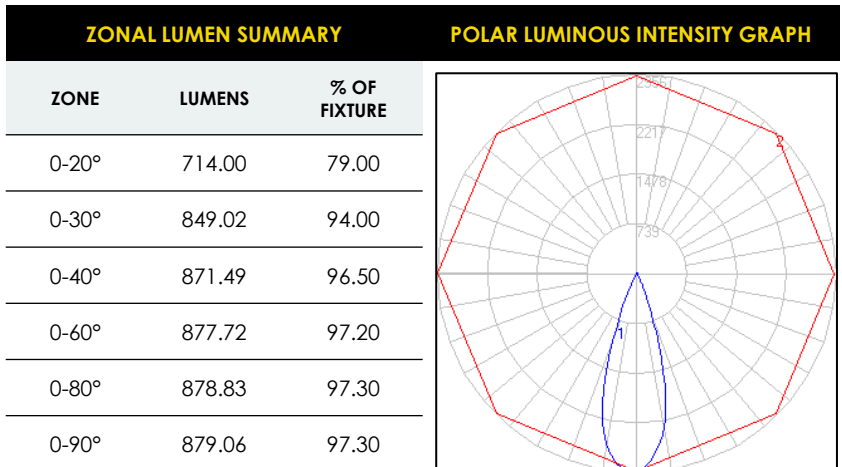


AE-DL-KN-3-SA1XX-UV-10W-X-30-24

Square Adjustable 10W

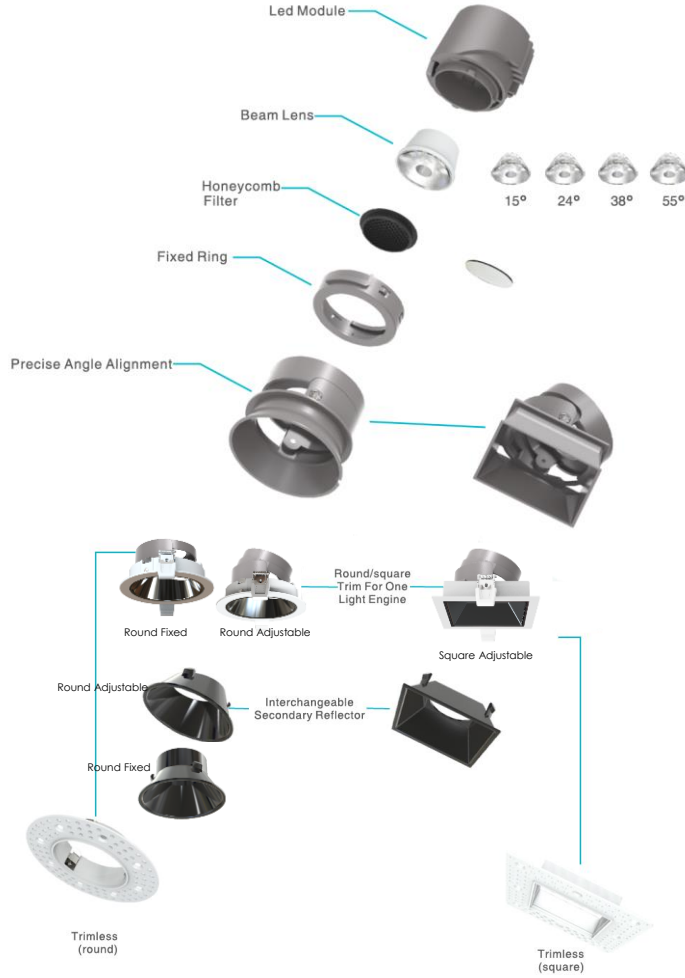
3000K CCT

24°



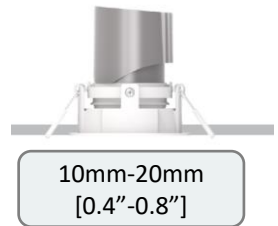
DATE	
PROJECT NAME	
TYPE	
QTY	
ORDERING CODE	AE-DL-KN -3 - -UV - -X - -

## PRODUCT ASSEMBLY GUIDE



Reflector Options:	Diffuse matt silver	Black	Specular bright silver	White
Square Adjustable				
Round Adjustable				
Round Fixed				

### Ceiling Thickness:





DATE	
PROJECT NAME	
TYPE	
QTY	
ORDERING CODE	AE-DL-KN -3 - -UV - -X - -

## ACCESSORIES

Ordered separately, field installed

### EMERGENCY LED DRIVER (BLD-HMXXD-YYY)

BLD-HM8D-YYY

OUTPUT POWER : 8 WATTS

BLD-HM25D-YYY

OUTPUT POWER : 25 WATTS



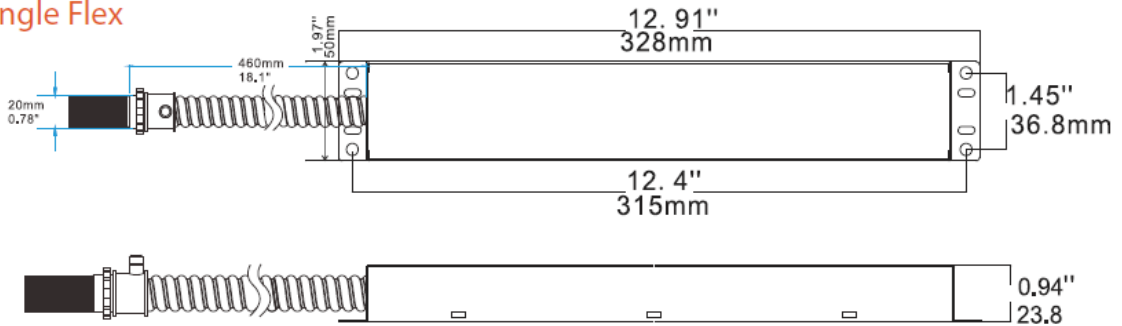
**Single Flex(Standard)**

- Easy Wiring
- Certified For CA Title 20
- Constant Power Performance

BLD-HMXXD-YYY series LED Emergency Driver is UL listed for field and factory installation that allows the same LED fixture to be used for both normal and emergency operation . In the event of a power failure , the emergency driver switches to emergency mode and operates the existing. Fixture to 90 minutes. The unit contains a battery , charge , and converter circuit in a single enclosure .This module will operate an LED array load at 6-25W with constant power at a rated output voltage of 170VDC. The constant power design of BLD-HMXXD-YYY maintains the output wattage to LED array, providing consistent illumination for entire emergency runtime. Ideal for use with most 0-10V dimmable indoor commercial LED lighting fixtures, such as LED flat panel, troffer, downlight and suspension mounting LED linear strip lights, etc.

### DIMENSIONS (inches and mm)

**Single Flex**



# KINETA MINI

LED COMMERCIAL DOWNLIGHT  
RECESSED DOWNLIGHT

DATE	
PROJECT NAME	
TYPE	
QTY	
ORDERING CODE	AE-DL-KN -3 - -UV - -X - -

## OVERVIEW



### SUPER MODULAR DESIGN

Unique super modular design making the assemble and disassemble process toolless and effortless. Lens changing and trim changing can be easily done in just one minute.

### FLEXIBLE HEADS

One engine module fits for both fixed and adjustable heads, in both round and square shapes, making KINETA fit for any kinds of projects and customizable space lighting.

### VARIOUS REFLECTORS

Reflectors are available in specular, diffuse and charcoal black. They could fulfill all your needs to create a desirable lighting effect.

### HIGH-END FIXTURE

Radial engine shape conveniences wire arrangement and reduces engine weight without sacrificing aesthetics.



LED Module

+



Mounting Ring

=



Luminaire