

KINETA MINI

LED COMMERCIAL DOWNLIGHT
RECESSED DOWNLIGHT



eralux®



The KINETA Series LED downlight are the ideal recessed downlight for any retrofit or new construction project. The spring-action housing clips facilitate the installation process. The KINETA separates itself from competitor downlights by having a super modular design with round and square, adjustable and fixed options. Replacing LED modules, mounting rings, beam lens and reflectors with no need for tools.

DATE	
PROJECT NAME	
TYPE	
QTY	
ORDERING CODE	AE-DL-KN -3 - -UV - -X - -

OPERATING & ELECTRICAL

INPUT VOLTAGE	120-277 Vac
POWER FACTOR	>0.9
TOTAL HARMONIC DISTORTION (THD)	<20%

PERFORMANCE

LUMENS PER WATT	80 LPW at 90CRI
BEAM ANGLE	15, 24, 38, 55°
POWER	10W, 15W
DIMMING	0-10V external dimming (down to 10% dimming) Triac Dual dimming

MECHANICAL & HOUSING

HOUSING	Brushed metal
LENS	PMMA and high transmittance lens
FINISH	Brushed metal providing an elegant finish
POWER SUPPLY	Factory wired electronic LED driver
LED BOARD	LED Array
SPRING	Stainless steel spring-action clips

APPLICATION CONDITION

AMBIENT TEMPERATURE RANGE	-10 °C to 40°C
PROTECTION	IP20

COMPATIBLE MOUNTING

MOUNTING	Recessed
----------	----------

WARRANTY

SYSTEM WARRANTY – 5 YEARS

Eralux will warrant defective drivers, LEDs and boards for 5 years from the date of purchase. This warranty is valid only if the fixture is installed and used as per installation guides and specifications. If a defect is present, Eralux will send drivers and boards at no fee with a thorough replacement instructions along with instructions on the return of the defective parts back to Eralux.

LUMEN MAINTENANCE – L70 at 50,000 hours

Rated for 70% initial lumen output at 50,000 hours of operation, operated at 25°C ambient temperature; per guidelines published by the Illuminating Engineering Society (IES).

KINETA MINI

LED COMMERCIAL DOWNLIGHT

RECESSED DOWNLIGHT

DATE	
PROJECT NAME	
TYPE	
QTY	
ORDERING CODE	AE-DL-KN -3 - -UV - -X - -

ORDERING GUIDE

EXAMPLE: AE-DL-KN-3-RA1BK-UV-10W-X-27-15

FIXTURE FAMILY	SIZE	REFLECTOR	REFLECTOR FINISH	VOLTAGE	POWER	CONTROLS	CCT	BEAM	MOUNTING RING		
AE-DL-KN	-3	-		-UV	-	-X	-	-	-		
AE-DL-KN ERALUX KINETA Mini Series recessed downlight	-3 3 inches	-RA1* Round Adjustable	WH White	-UV 120-277 V	-10W 10 watts; ~800 lms at 3000K and 38° beam angle for round adjustable reflector	-X 0-10V external dimming & Triac Dual dimming	-27 2700K CCT	-15 15° Beam angle	-WHT White Trim		
			BK Black				-30 3000K CCT		-24 24° Beam angle	-BKT Black Trim	
		-SA1* Square Adjustable	SP Specular bright silver		-15W 15 watts; ~1,100 lms at 3000K and 38° beam angle for round adjustable reflector		-35 3500K CCT	-38 38° Beam angle	-WHT-TL White Trimless Finish		
			-RF1 Round Fixed				DF Diffused matt silver			-40 4000K CCT	-55 55° Beam angle

Maximum tilt angle is 30° for adjustable reflectors.

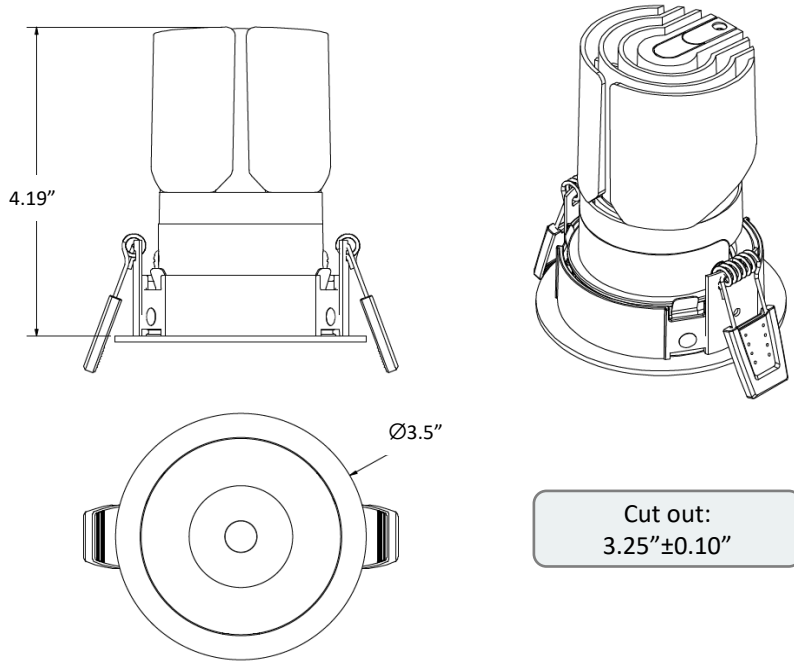
KINETA MINI

LED COMMERCIAL DOWNLIGHT
RECESSED DOWNLIGHT

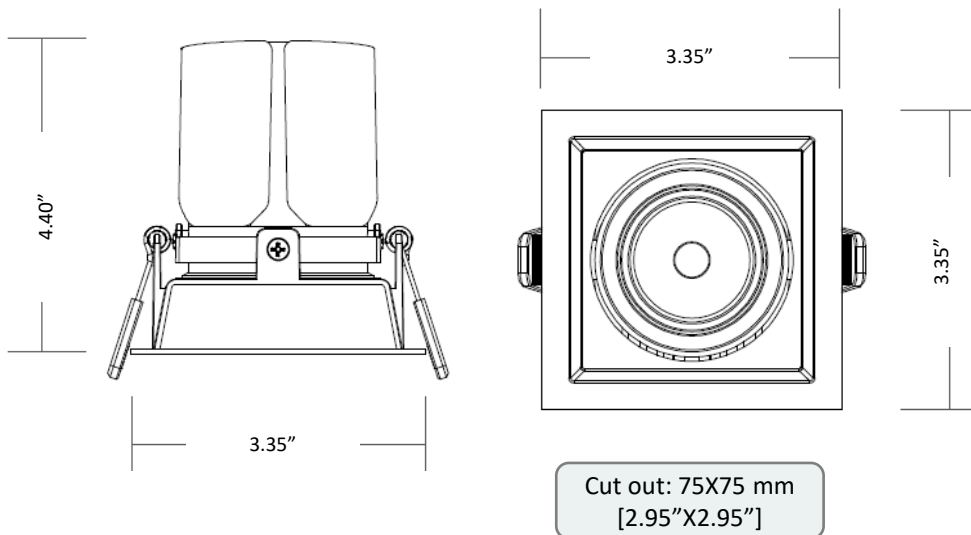
DATE	
PROJECT NAME	
TYPE	
QTY	
ORDERING CODE	AE-DL-KN -3 - -UV - -X - -

PRODUCT DIMENSIONS (in inches)

KINETA ROUND TRIM



KINETA SQUARE TRIM



KINETA MINI

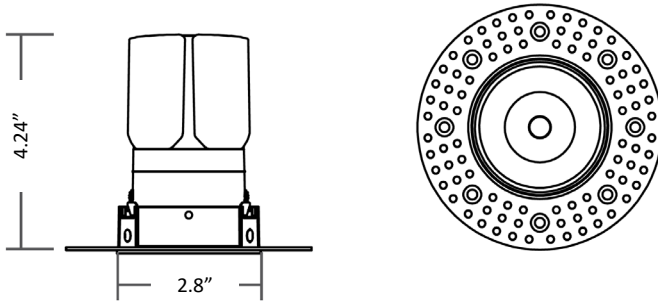
LED COMMERCIAL DOWNLIGHT
RECESSED DOWNLIGHT

DATE								
PROJECT NAME								
TYPE								
QTY								
ORDERING CODE	AE-DL-KN	-3	-		-UV	-	-X	-

PRODUCT DIMENSIONS (in mm)

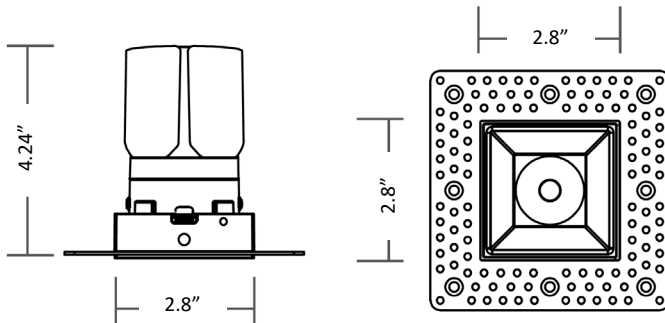
TrimLess Version

KINETA ROUND TRIMLESS VERSION



Cut out: $\varnothing 76$ mm [3"]

KINETA SQUARE TRIMLESS VERSION



Cut out: $\varnothing 75 \times 75$ mm
[2.95x2.95"]

KINETA MINI

LED COMMERCIAL DOWNLIGHT
RECESSED DOWNLIGHT

DATE	
PROJECT NAME	
TYPE	
QTY	
ORDERING CODE	AE-DL-KN -3 - -UV - -X - -

ACCESSORIES

Ordered separately, field installed

NEW CONSTRUCTION UNIVERSAL FRAME KIT



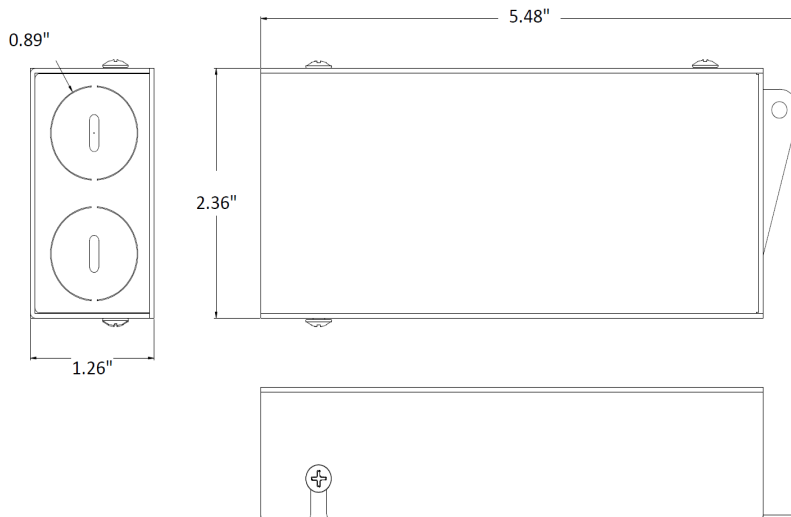
MATERIAL 22-gauge galvanized steel housing

MOUNTING T-bar or drywall ceilings
Up to 1.5" thick

Ordering Code AE-DL-FRKT-03-UNV (round)
AE-DL-FRKT-UNA-03-UNV (square)

DIMENSIONS

Accompanied Junction Box



KINETA MINI

LED COMMERCIAL DOWNLIGHT
RECESSED DOWNLIGHT

DATE	
PROJECT NAME	
TYPE	
QTY	
ORDERING CODE	AE-DL-KN -3 - - -UV - -X - -

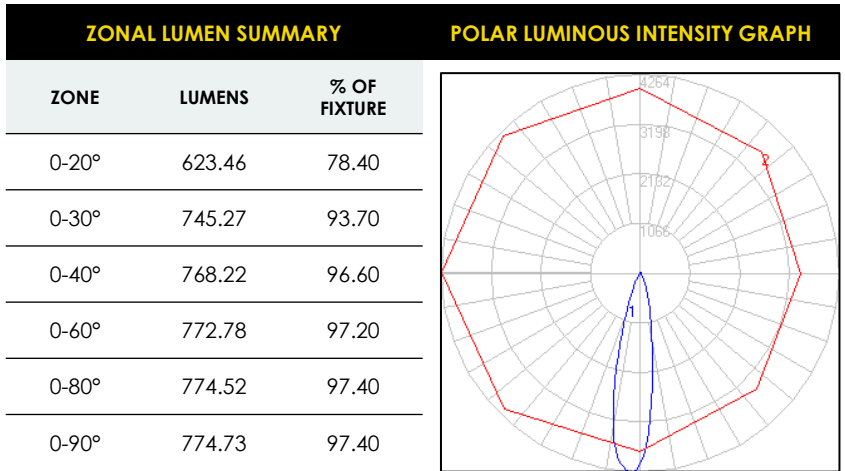
LUMEN ESTIMATE

Lumen output varies based on CCT and CRI. An estimate of lumen output of the various CCT/CRI combinations, use correction factors as per table below:

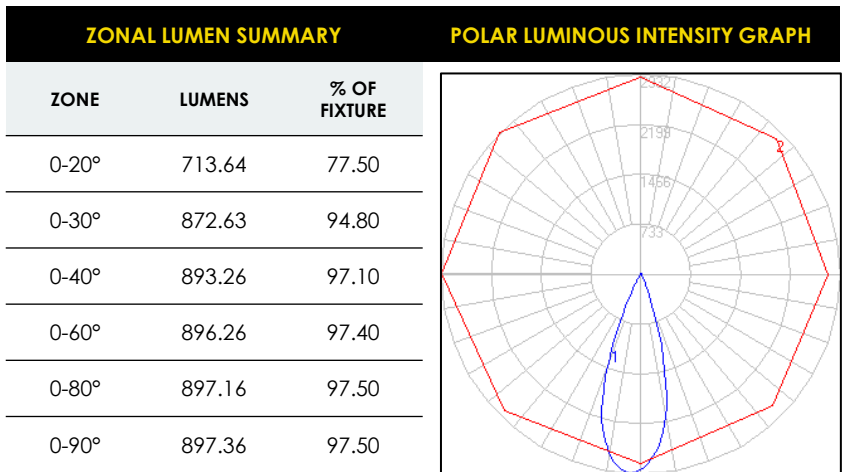
LUMEN ESTIMATE ADJUSTMENT FACTORS				
CCT	2700K	3000K	3500K	4000K
NORMAL (90CRI)	.94	1	1.02	1.03

PHOTOMETRIC DATA

AE-DL-KN-3-RA1XX-UV-10W-X-30-15
Round Adjustable 10W
3000K CCT
15°



AE-DL-KN-3-RA1XX-UV-10W-X-30-24
Round Adjustable 10W
3000K CCT
24°



KINETA MINI

LED COMMERCIAL DOWNLIGHT
RECESSED DOWNLIGHT

DATE	
PROJECT NAME	
TYPE	
QTY	
ORDERING CODE	AE-DL-KN -3 - -UV - -X - -

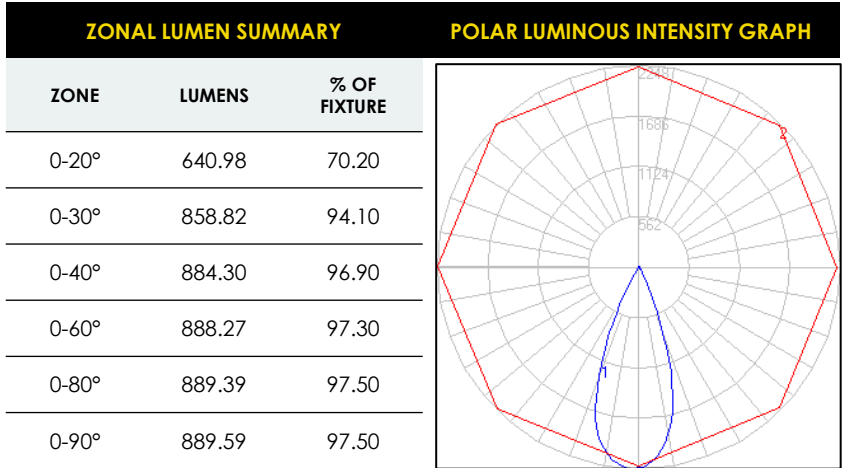
PHOTOMETRIC DATA

AE-DL-KN-3-RA1XX-UV-10W-X-30-38

Round Adjustable 10W

3000K CCT

38°

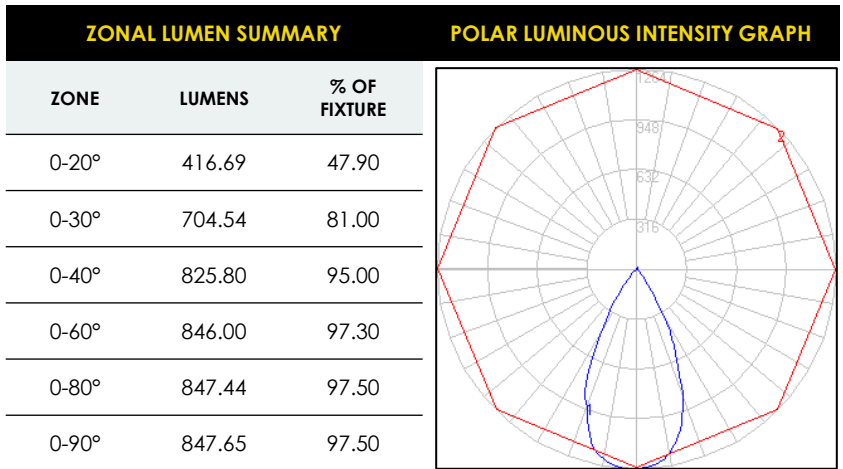


AE-DL-KN-3-RA1XX-UV-10W-X-30-55

Round Adjustable 10W

3000K CCT

55°

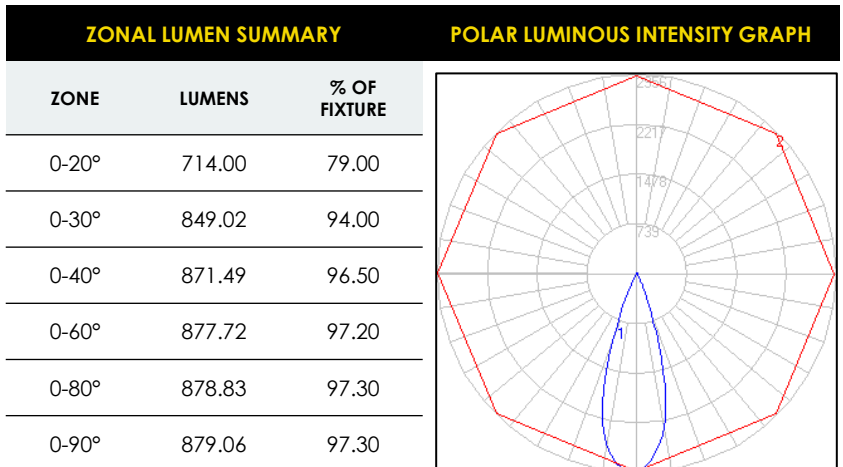


AE-DL-KN-3-SA1XX-UV-10W-X-30-24

Square Adjustable 10W

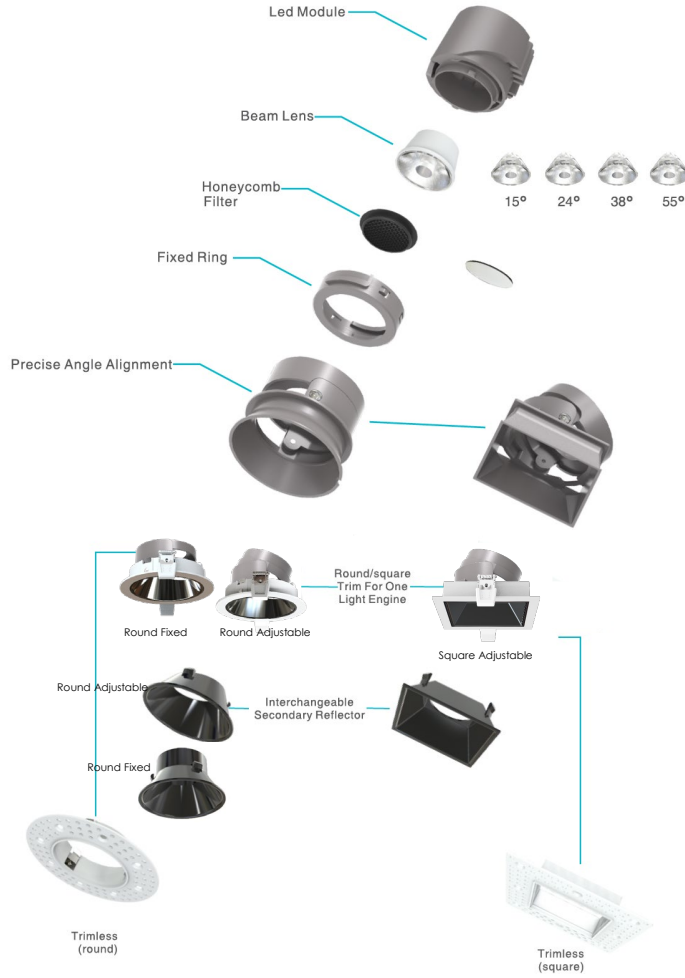
3000K CCT

24°



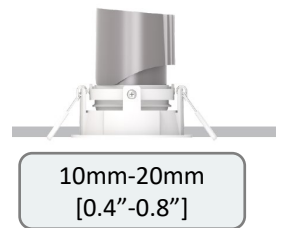
DATE							
PROJECT NAME							
TYPE							
QTY							
ORDERING CODE	AE-DL-KN	-3	-	-UV	-	-X	-

PRODUCT ASSEMBLY GUIDE



Reflector Options:	Diffuse matt silver	Black	Specular bright silver	White
Square Adjustable				
Round Adjustable				
Round Fixed				

Ceiling Thickness:



KINETA MINI

LED COMMERCIAL DOWNLIGHT
RECESSED DOWNLIGHT

DATE								
PROJECT NAME								
TYPE								
QTY								
ORDERING CODE	AE-DL-KN	-3	-		-UV	-	-X	-

OVERVIEW



LED Module

+



Mounting Ring

=



Luminaire

SUPER MODULAR DESIGN

Unique super modular design making the assemble and disassemble process toolless and effortless. Lens changing and trim changing can be easily done in just one minute.

FLEXIBLE HEADS

One engine module fits for both fixed and adjustable heads, in both round and square shapes, making KINETA fit for any kinds of projects and customizable space lighting.

VARIOUS REFLECTORS

Reflectors are available in specular, diffuse and charcoal black. They could fulfill all your needs to create a desirable lighting effect.

HIGH-END FIXTURE

Radial engine shape conveniences wire arrangement and reduces engine weight without sacrificing aesthetics.