

KINETA MINI



LED COMMERCIAL DOWNLIGHT

Recessed Downlight | 3" Round & Square

The KINETA MINI is a 3-inch recessed downlight offers a range of optical options, it can be either adjustable or fixed. Variety of reflectors and trim finishes available making it an attractive addition. It comes in either round or square shape, in addition to the trimless option. It is available in two power options 10 W – 800 lm and 15 W – 1100 lm, dual dimming option and multiple CCTs.

Applications: Art Galleries | Show Rooms | Retail Stores | Hospitality | Office.

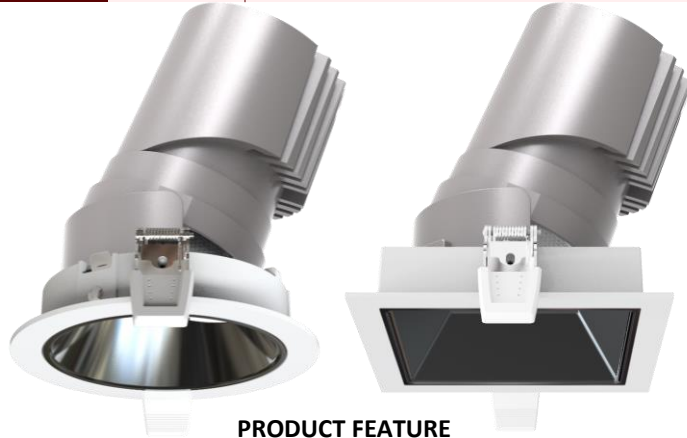
DATE	QTY	ACC. QTY	TYPE
PROJECT			
PN			
ACCESSORY PN			
NOTES			

DYNAMIC MENU	
Order Information	Page 2
Dimensions	Page 3
Accessories	Page 5
Photometric Data	Page 8

[Install Instruction link](#)

SPECIFICATIONS

Input Voltage	120-277V
Power Factor	>0.9
Total Harmonic Distortion	<20%
Dimming Page 7	TRIAC & 0-10V dimming (down 10%)
CRI	90 CRI
CCT	<div style="display: flex; gap: 10px;"> <div style="background-color: #fff9c4; border-radius: 50%; width: 20px; height: 20px; display: flex; align-items: center; justify-content: center;">27K</div> <div style="background-color: #fff176; border-radius: 50%; width: 20px; height: 20px; display: flex; align-items: center; justify-content: center;">30K</div> <div style="background-color: #fff9c4; border-radius: 50%; width: 20px; height: 20px; display: flex; align-items: center; justify-content: center;">35K</div> <div style="background-color: #bbdefb; border-radius: 50%; width: 20px; height: 20px; display: flex; align-items: center; justify-content: center;">40K</div> </div>
Efficacy	~80 lm/W
Size and Power	3 inch 10W - 15 W
Ambient Temperature Range	-20°C to 40°C
Mounting Options	New construction Retrofit
Reflector Finish	
Trim Shape	Trim <div style="display: flex; gap: 10px;"> </div>
	Trimless <div style="display: flex; gap: 10px;"> </div>
Trim Finish	
Optical Accessories	Honeycomb louver Soft lens
Distribution	<div style="display: flex; gap: 10px;"> <div style="text-align: center;"> <p>21°</p> </div> <div style="text-align: center;"> <p>24°</p> </div> <div style="text-align: center;"> <p>38°</p> </div> <div style="text-align: center;"> <p>55°</p> </div> </div>



PRODUCT FEATURE



PRODUCT CERTIFICATIONS



SYSTEM WARRANTY – 5 YEARS

Eralux will warrant defective drivers, LEDs and boards for 5 years from the date of purchase. This warranty is valid only if the fixture is installed and used as per installation guides and specifications. If a defect is present, Eralux will send drivers and boards at no fee with a thorough replacement instructions along with instructions on the return of the defective parts back to Eralux.

LUMEN MAINTENANCE – L70 at 60,000 hours

Rated for 70% initial lumen output at 60,000 hours of operation, operated at 25°C ambient temperature; per guidelines published by the Illuminating Engineering Society (IES).

LED COMMERCIAL DOWNLIGHT

Recessed Downlight | 3" Round & Square



ORDERING GUIDE

AE-DL-KN-3			-UV		-X			
AE-DL-KN-3 ERALUX KINETA MINI Recessed downlight 3-inch IP20	-RA1 Round Adjustable -RF1 Round Fixed -SA1 Square Adjustable	BK Black WH White SP Specular Bright Silver DF Diffused Matt Silver	-UV 120-277V Input	-10W 10W 800 Lm -15W 15W 1100 Lm	-X Dual Dimming 0-10V & TRIAC	-27 2700K -30 3000K -35 3500K -40 4000K	-15 Narrow Flood 15° -24 Flood 24° -38 Wide Flood 38° -55 Very Wide flood 55°	-WHT White -BKT Black -BK-TL Black Trimless -WH-TL White Trimless
Fixture Family	Reflector Finish		Voltage	Power	Dimming	CCT	Distribution	Trim



ORDERING GUIDE – ACCESSORIES | IP

AE-DL-KN ERALUX KINETA MINI	-3 3 Inch	-COMB Honeycomb louver -SOFTLENS	[BLANK] Standard IP20 AE-DL-KN-3-IP44-KIT IP44
Accessory Family	SIZE	TYPE	IP Rating



ORDERING GUIDE – FRAME KIT | EMBB

AE-DL-FRKT ERALUX FRAME KITS Downlights	[BLANK] Round frame -UNA Square frame	-03 3 Inches	-UNV¹	[BLANK] No EMBB BLD-HM8D-YYY 8W emergency battery backup
Fixture Family	Shape	SIZE	TYPE	EMBB

1. Junction Box is not included. KINETA SERIES comes with a junction box by default.

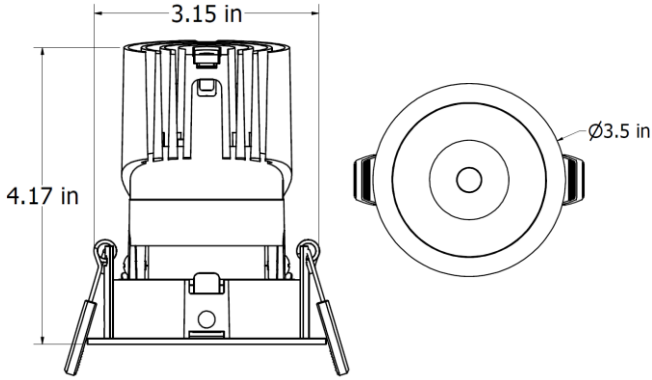
LED COMMERCIAL DOWNLIGHT

Recessed Downlight | 3" Round & Square

DIMENSIONS

AE-DL-KN-3

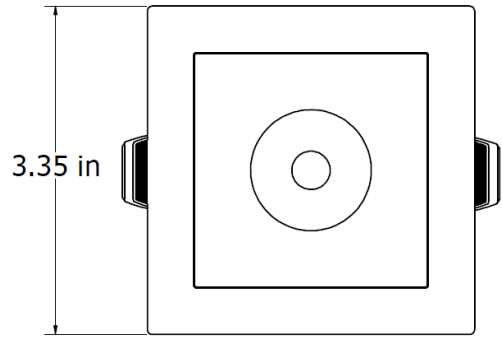
Round Trim



Ceiling Cut out
3.25"±0.10" Ø



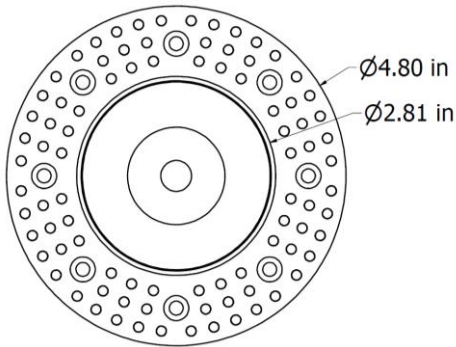
Square Trim



Ceiling Cut out
2.95"X2.95"



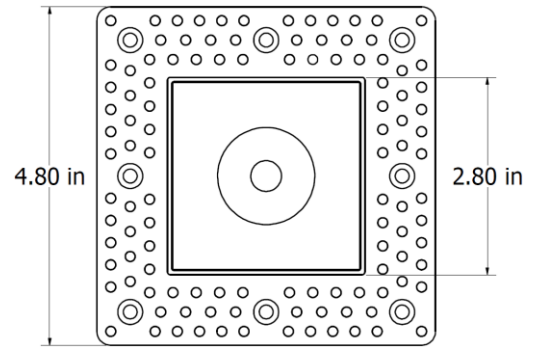
Round Trimless



Ceiling Cut out
3.25"±0.10" Ø



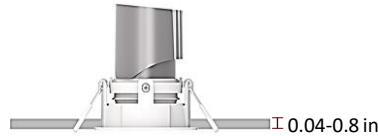
Square Trimless



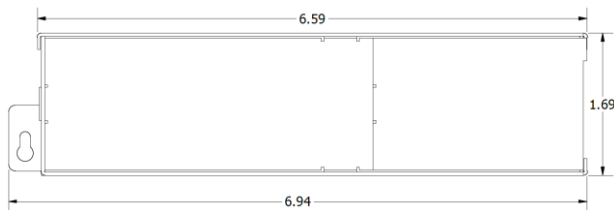
Ceiling Cut out
2.95"X2.95"



Ceiling Thickness



Driver



LED COMMERCIAL DOWNLIGHT

Recessed Downlight | 3" Round & Square

REFLECTOR

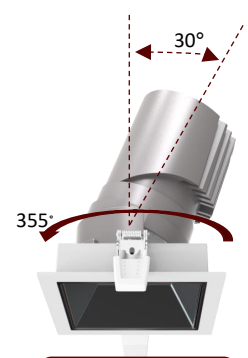
- Rotation up to 355°
- Tilt 30° (RA1 – SA1)



ROUND ADJUSTABLE



ROUND FIX



SQUARE ADJUSTABLE

FINISH

SHAPE	WHITE	BRIGHT SILVER	DIFFUSED SILVER	BLACK
ROUND ADJUSTABLE (RA1)				
ROUND FIX (RF1)				
SQUARE ADJUSTABLE (SA1)				
DESCRIPTION	Maximizes and diffuses light, providing soft and even illumination.	Directs light precisely, producing sharp highlights and enhancing brightness.	Evenly scatters light, creating a soft, balanced illumination with reduced glare.	Absorbs light, creating a focused and dramatic effect with minimized glare.



LED COMMERCIAL DOWNLIGHT

Recessed Downlight | 3" Round & Square

TRIM

FINISH	SHAPE	
	ROUND	SQUARE
WHITE (-WHT)		
Black (-BKT)		
WHITE TRIMLESS (-WH-TL)		
Black TRIMLESS (-BK-TL)		

OPTICAL ACCESSORIES

ORDERING CODE	DESCRIPTION	LIGHT GLARE	PICTURE
AE-DL-KN-3-COMB	Honeycomb louver Reduce the glare of the light source and luminaire		
AE-DL-KN-3-SOFTLENS	Softening Glass lens		

LED COMMERCIAL DOWNLIGHT

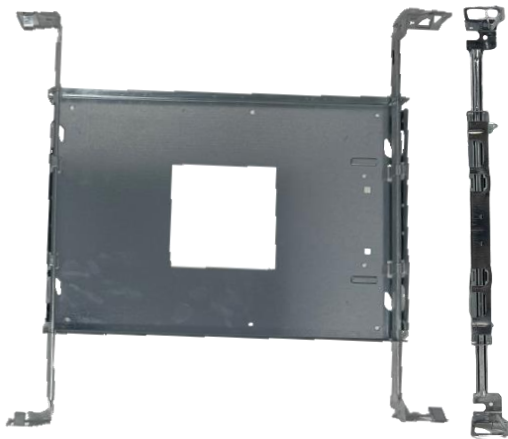
Recessed Downlight | 3" Round & Square

MOUNTING ACCESSORIES

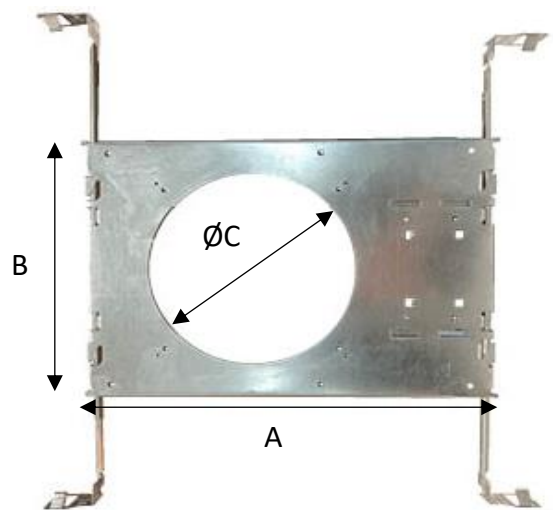
Ordered separately, field installed.

NEW CONSTRUCTION UNIVERSAL FRAME KIT

SPECIFICATIONS	
MATERIAL	22-gauge galvanized steel housing
MOUNTING	T Grid Ceiling
	Gypsum Ceiling
	Maximum Thickness ~1.5"
LENGTH (A)	12.75"
WIDTH (B)	8.63"

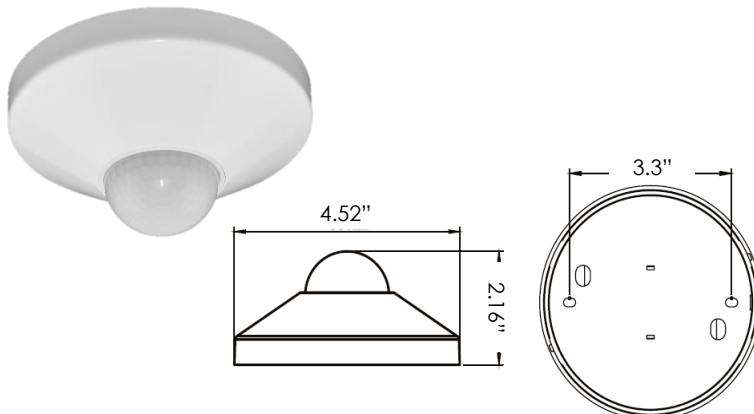


OPENING SIZE			
ORDERING CODE	SIZE	SHAPE	C
AE-DL-FRKT-03-UNV	3"	Round	2.95" Ø
AE-DL-FRKT-UNA-03-UNV		Square	3.15 x 3.15"



ROOM OCCUPANCY SENSOR

PART NUMBER	DESCRIPTION
AE-CT-DT806	Detecta - Room Occupancy Sensor
RC102	RC102 Remote Control



SPECIFICATIONS	
Input Voltage	120-277 Vac
Power Frequency	50/60HZ
Rated Load	At 120 Vac 800W
	At 277 Vac 1200W
Detection Range	3-10 Meters
	9.8- 32.8 Feet
Standby Power	~0.9W
Time Setting	10 sec to 30 min
Light Control	10-2,000LUX
Installation	Ceiling Mounted

LED COMMERCIAL DOWNLIGHT

Recessed Downlight | 3" Round & Square

CONTROLS

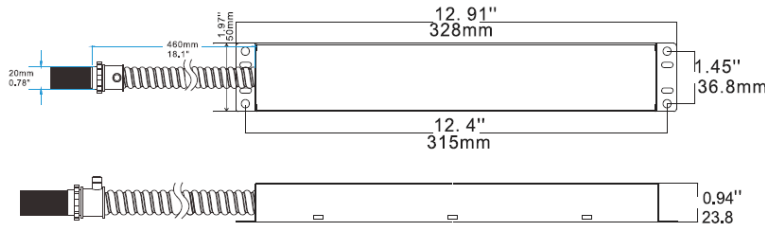
Ordered separately, field installed

EMERGENCY LED DRIVER (BLD-HMXXD-YYY)

BLD-HM8D-YYY



The BLD-HMXXD-YYY series LED Emergency Driver is UL listed for field and factory installations. It switches to emergency mode during power failures, providing up to 90 minutes of lighting. With an integrated battery, charger, and converter, it delivers 6-25W constant power at 170VDC. Ideal for 0-10V dimmable indoor commercial LED fixtures, such as flat panels, troffers, downlights, and linear strip lights.



SPECIFICATIONS	
Input Voltage	100-347 Vac
Power Frequency	50/60HZ
Input Power	8W max
Output Voltage	170V Dc
Output Power	8W
Ambient Temperature	0°C to 50°C
	30°F to 122°F
Installation	Remote

DIMMER COMPATIBILITY LIST

Brand	Model	Dim Depth To	DIM
LEVITON	IPM10	OFF	TRIAC
	6674	OFF	TRIAC
	AWSMT-EB	OFF	TRIAC
LUTRON	DVCL-153P	2%	TRIAC
	NTLV-603P	1%	TRIAC
	GT-250M	1%	TRIAC
	MACL-153M	1%	TRIAC
	PD-6WCL	1%	TRIAC
	DSL06	2%	TRIAC
	DV-600P	1%	TRIAC
	RRD-10ND	2%	TRIAC
	NTELV-300	1%	ELV
	SELV-300P	1%	ELV

LED COMMERCIAL DOWNLIGHT

Recessed Downlight | 3" Round & Square

LUMEN ESTIMATE

Lumen output varies based on CCT and CRI. An estimate of lumen output of the various CCT/CRI combinations, use correction factors as per table below:

LUMEN ESTIMATE ADJUSTMENT FACTORS

CCT	2700K	3000K	3500K	4000K
PREMIUM (90CRI)	0.8	0.86	0.93	0.93

PHOTOMETRIC DATA

PART NUMBER		ZONAL LUMEN SUMMARY			POLAR LUMINOUS INTENSITY	CONE DISTRIBUTION			
AE-DL-KN-3		Zone	Lumens	% Fixture	Direct Light	Center Beam Fc	Beam Width		
Wattage	15W	0-20°	789.46	77.3		17.0ft	17.9 fc	6.4 ft	6.1 ft
CCT	3000K	0-30°	954.7	93.5		34.0ft	4.48 fc	12.8 ft	12.3 ft
Distribution	15°	0-40°	986.01	96.6		51.0ft	1.99 fc	19.2 ft	18.4 ft
SIZE	3"	0-60°	992.35	97.2		68.0ft	1.12 fc	25.6 ft	24.5 ft
		0-80°	994.3	97.4		85.0ft	0.72 fc	32.0 ft	30.7 ft
		0-90°	994.54	97.4	102.0ft	0.5 fc	38.4 ft	36.8 ft	
						■ Vert. Spread: 21.3° ■ Horiz. Spread: 20.5°			

PART NUMBER		ZONAL LUMEN SUMMARY			POLAR LUMINOUS INTENSITY	CONE DISTRIBUTION			
AE-DL-KN-3		Zone	Lumens	% Fixture	Direct Light	Center Beam Fc	Beam Width		
Wattage	15W	0-20°	891.71	77.9		17.0ft	12.8 fc	10.0 ft	10.0 ft
CCT	3000K	0-30°	1079.31	94.3		34.0ft	3.2 fc	20.1 ft	19.9 ft
Distribution	24°	0-40°	1109.18	96.9		51.0ft	1.42 fc	30.1 ft	29.9 ft
SIZE	3"	0-60°	1113.93	97.4		68.0ft	0.8 fc	40.1 ft	39.8 ft
		0-80°	1115.04	97.5		85.0ft	0.51 fc	50.2 ft	49.8 ft
		0-90°	1115.28	97.5	102.0ft	0.36 fc	60.2 ft	59.7 ft	
						■ Vert. Spread: 32.9° ■ Horiz. Spread: 32.6°			

PART NUMBER		ZONAL LUMEN SUMMARY			POLAR LUMINOUS INTENSITY	CONE DISTRIBUTION			
AE-DL-KN-3		Zone	Lumens	% Fixture	Direct Light	Center Beam Fc	Beam Width		
Wattage	15W	0-20°	847.33	70.9		17.0ft	10.2 fc	12.0 ft	11.9 ft
CCT	3000K	0-30°	1126.58	94.2		34.0ft	2.55 fc	24.1 ft	23.9 ft
Distribution	38°	0-40°	1159.21	96.9		51.0ft	1.13 fc	36.1 ft	35.8 ft
SIZE	3"	0-60°	1164.49	97.4		68.0ft	0.64 fc	48.1 ft	47.7 ft
		0-80°	1165.81	97.5		85.0ft	0.41 fc	60.1 ft	59.7 ft
		0-90°	1166.06	97.5	102.0ft	0.28 fc	72.2 ft	71.6 ft	
						■ Vert. Spread: 39.0° ■ Horiz. Spread: 38.7°			

PART NUMBER		ZONAL LUMEN SUMMARY			POLAR LUMINOUS INTENSITY	CONE DISTRIBUTION			
AE-DL-KN-3		Zone	Lumens	% Fixture	Direct Light	Center Beam Fc	Beam Width		
Wattage	15W	0-20°	527.7	48.5		17.0ft	5.59 fc	15.9 ft	15.5 ft
CCT	3000K	0-30°	883.31	81.2		34.0ft	1.4 fc	31.7 ft	31.0 ft
Distribution	55°	0-40°	1031.38	94.8		51.0ft	0.62 fc	47.6 ft	46.4 ft
SIZE	3"	0-60°	1058.15	97.3		68.0ft	0.35 fc	63.4 ft	61.9 ft
		0-80°	1059.94	97.4		85.0ft	0.22 fc	79.3 ft	77.4 ft
		0-90°	1060.19	97.5	102.0ft	0.16 fc	95.1 ft	92.9 ft	
						■ Vert. Spread: 50.0° ■ Horiz. Spread: 49.0°			

OVERVIEW

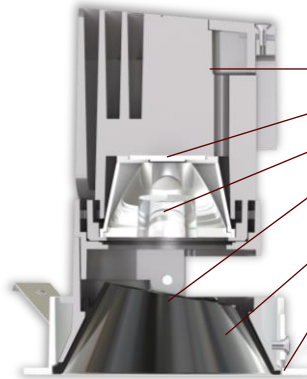


Innovative Design

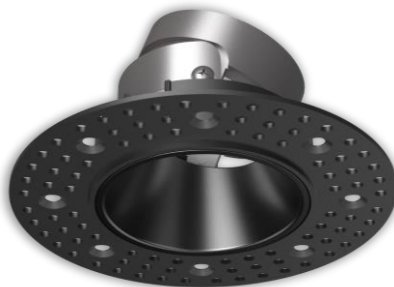
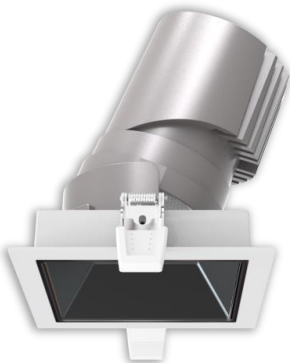
- Brushed metal housing.
- Improved design extends LED and driver lifespan.
- Stainless steel spring-action clips



Multiple Options



- Two powers 10W and 15W.
- Four CCT options.
- Variety of beam angles.
- Adjustable round/square, Fixed round reflector.
- Multiple reflector finishes.
- Round / square, Black / white trim and trimless options.



Accessories

- Honeycomb louvers and soft lens.
- New construction frame kit.
- Emergency back up battery.



Tests And Certifications



Optional

Emergency backup battery