

KINETA NANO

LED COMMERCIAL DOWNLIGHT

RECESSED DOWNLIGHT



eralux®



The KINETA NANO Series LED downlight are the ideal recessed downlight for any retrofit or new construction project. The spring-action housing clips facilitate the installation process. The KINETA NANO separates itself from competitor downlights by having the round 2" shape with the variable reflectors and trims options. Replacing LED modules, mounting rings, beam lens and reflectors with no need for tools.

DATE	
PROJECT NAME	
TYPE	
QTY	
ORDERING CODE	AE-DL-KN -2 - -UV - -X - -

OPERATING & ELECTRICAL

INPUT VOLTAGE	120-277 Vac
POWER FACTOR	>0.9
TOTAL HARMONIC DISTORTION (THD)	<20%

PERFORMANCE

LUMENS PER WATT	80 LPW at 90CRI
BEAM ANGLE	15, 24, 38, 55°
POWER	5W, 8W
DIMMING	0-10V external dimming & Triac (Dim down to 10%) Dual dimming

MECHANICAL & HOUSING

HOUSING	Brushed metal
LENS	PMMA and high transmittance lens
FINISH	Brushed metal providing an elegant finish
POWER SUPPLY	Factory wired electronic LED driver
LED BOARD	LED Array
SPRING	Stainless steel spring-action clips

APPLICATION CONDITION

AMBIENT TEMPERATURE RANGE	-10 °C to 40°C
PROTECTION	IP20

COMPATIBLE MOUNTING

MOUNTING	Recessed
----------	----------

WARRANTY

SYSTEM WARRANTY – 5 YEARS

Eralux will warrant defective drivers, LEDs and boards for 5 years from the date of purchase. This warranty is valid only if the fixture is installed and used as per installation guides and specifications. If a defect is present, Eralux will send drivers and boards at no fee with a thorough replacement instructions along with instructions on the return of the defective parts back to Eralux.

LUMEN MAINTENANCE – L70 at 50,000 hours

Rated for 70% initial lumen output at 50,000 hours of operation, operated at 25°C ambient temperature; per guidelines published by the Illuminating Engineering Society (IES).

KINETA NANO

LED COMMERCIAL DOWNLIGHT

RECESSED DOWNLIGHT

DATE	
PROJECT NAME	
TYPE	
QTY	
ORDERING CODE	AE-DL-KN -2 - -UV - -X - -

ORDERING GUIDE

EXAMPLE: AE-DL-KN-2-RA1BK-UV-5W-X-27-15

FIXTURE FAMILY	SIZE	REFLECTOR	REFLECTOR FINISH	VOLTAGE	POWER	CONTROLS	CCT	BEAM	TRIM
AE-DL-KN	-2	-		-UV	-	-X	-	-	-
AE-DL-KN KINETA NANO Series recessed downlight	-2 2 inches	-RA1* Round Adjustable	WH White	-UV 120-277 V	-5W 5 watts; ~332 lms at 3000K and 38° beam angle for round adjustable reflector	-X 0-10V external dimming & Triac Dual dimming	-27 2700 K CCT	-15 15° Beam angle	-WHT White Trim
		-RF1 Round Fixed	BK Black	-8W 8 watts; ~440 lms at 3000K and 38° beam angle for round adjustable reflector	-30 3000 K CCT		-24 24° Beam angle	-BK-TL Black Trimless Finish	
			SP Specular bright silver		-35 3500 K CCT		-38 38° Beam angle	-WH-TL White Trimless Finish	
			DF Diffused matt silver			-40 4000K CCT	-55 55° Beam angle		

*Maximum Tilt angle is 30° for adjustable reflectors

KINETA NANO

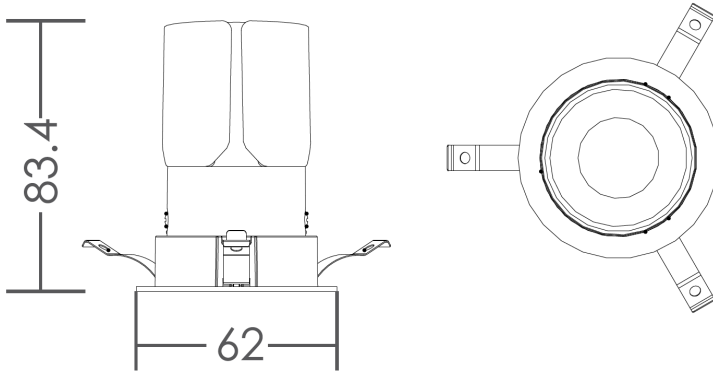
LED COMMERCIAL DOWNLIGHT
RECESSED DOWNLIGHT

DATE									
PROJECT NAME									
TYPE									
QTY									
ORDERING CODE	AE-DL-KN	-2	-		-UV	-	-X	-	-

PRODUCT DIMENSIONS (in mm)

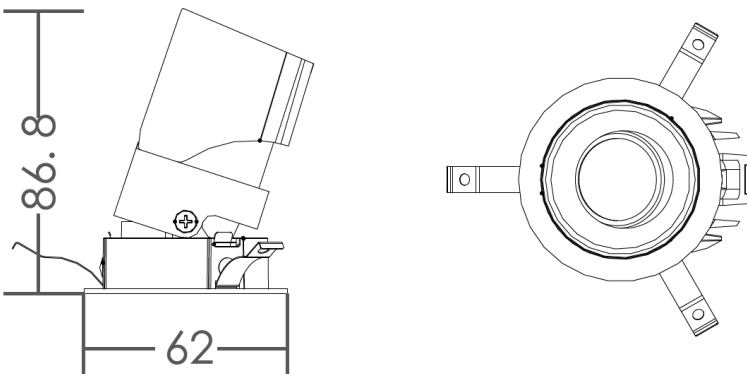
Trim Version

AE-DL-KN-2-RF1XX-UV-1XW-X-XX-XX



Cut out: Ø55 mm [2.16"]

AE-DL-KN-2-RA1XX-UV-1XW-X-XX-XX



Cut out: Ø55 mm [2.16"]

KINETA NANO

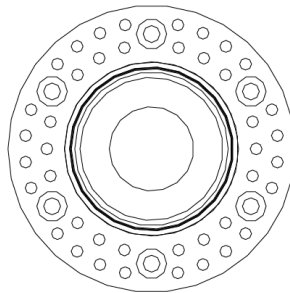
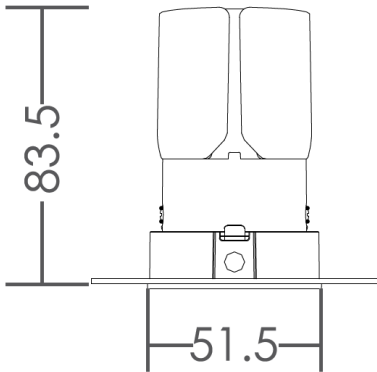
LED COMMERCIAL DOWNLIGHT
RECESSED DOWNLIGHT

DATE									
PROJECT NAME									
TYPE									
QTY									
ORDERING CODE	AE-DL-KN	-2	-		-UV	-	-X	-	-

PRODUCT DIMENSIONS (in mm)

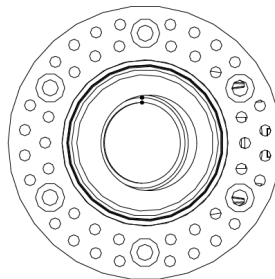
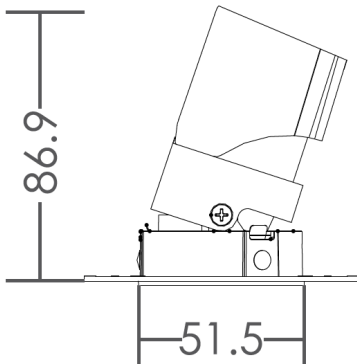
TrimLess Version

AE-DL-KN-2-RF1XX-UV-1XW-X-XX-XX



Cut out: Ø55 mm [2.16"]

AE-DL-KN-2-RA1XX-UV-1XW-X-XX-XX



Cut out: Ø55 mm [2.16"]

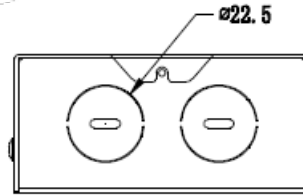
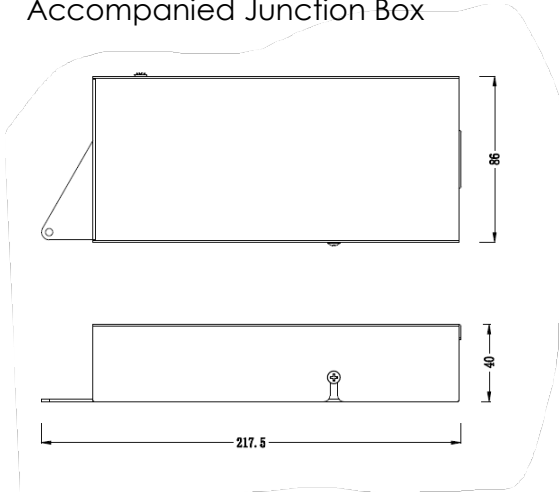
KINETA NANO

LED COMMERCIAL DOWNLIGHT
RECESSED DOWNLIGHT

DATE								
PROJECT NAME								
TYPE								
QTY								
ORDERING CODE	AE-DL-KN	-2	-		-UV	-	-X	-

DRIVER

Accompanied Junction Box



CEILING THICKNESS



10mm-20mm
[0.4"-0.8"]

ACCESSORIES

Ordered separately

ANTI-GLARE ACCESSORY



AE-DL-KN-02-HONEYCOMB



AE-DL-KN-02-SOFTLENS

DATE									
PROJECT NAME									
TYPE									
QTY									
ORDERING CODE	AE-DL-KN	-2	-			-UV	-	-X	-

ACCESSORIES

Ordered separately, field installed

EMERGENCY LED DRIVER (BLD-HMXXD-YYY)

BLD-HM8D-YYY

OUTPUT POWER : 8 WATTS

BLD-HM25D-YYY

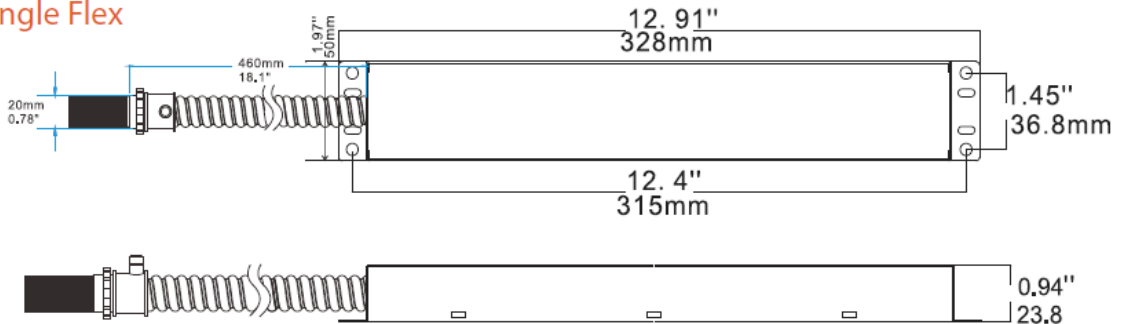
OUTPUT POWER : 25 WATTS



BLD-HMXXD-YYY series LED Emergency Driver is UL listed for field and factory installation that allows the same LED fixture to be used for both normal and emergency operation . In the event of a power failure , the emergency driver switches to emergency mode and operates the existing. Fixture to 90 minutes. The unit contains a battery , charge , and converter circuit in a single enclosure .This module will operate an LED array load at 6-25W with constant power at a rated output voltage of 170VDC. The constant power design of BLD-HMXXD-YYY maintains the output wattage to LED array, providing consistent illumination for entire emergency runtime. Ideal for use with most 0-10V dimmable indoor commercial LED lighting fixtures, such as LED flat panel, troffer, downlight and suspension mounting LED linear strip lights, etc.

DIMENSIONS (inches and mm)

Single Flex



DATE											
PROJECT NAME											
TYPE											
QTY											
ORDERING CODE	AE-DL-KN	-2	-				-UV	-	-X	-	-

PRODUCT ASSEMBLY GUIDE



Light Engine



Standard-Round

Trimless-Round



Round Adjustable



Round Fixed

Secondary Reflector



Diffuse Matt Silver

Specular Bright Silver

KINETA NANO

LED COMMERCIAL DOWNLIGHT
RECESSED DOWNLIGHT

DATE	
PROJECT NAME	
TYPE	
QTY	
ORDERING CODE	AE-DL-KN -2 - -UV - -X - -

OVERVIEW



SUPER MODULAR DESIGN

Unique super modular design making the assemble and disassemble process toolless and effortless. Lens changing and trim changing can be easily done in just one minute.

FLEXIBLE HEADS

One engine module fits for both fixed and adjustable heads making KINETA NANO fit for any kinds of projects and customizable space lighting.

VARIOUS REFLECTORS

Reflectors are available in specular, diffuse and charcoal black. They could fulfill all your needs to create a desirable lighting effect.

HIGH-END FIXTURE

Radial engine shape conveniences wire arrangement and reduces engine weight without sacrificing aesthetics.

VARIOUS MODELS

Trims are available in two finishes either black or white. It has two models as well, either trimless or standard finish.



LED Module

Mounting Ring

Luminaire