

# KINETA NANO

## LED COMMERCIAL DOWNLIGHT

### Recessed Downlight | 2" Round

The KINETA NANO is a 2-inch recessed downlight offers a range of optical options, it can be either adjustable or fixed. Variety of reflectors and trim finishes available making it an attractive addition. It comes in either round or square shape, in addition to the trimless option. It is available in two power options 5 W – 332 lm and 8 W – 440 lm, dual dimming option and multiple CCTs.

Applications: Art Galleries | Show Rooms | Retail Stores | Hospitality | Office.

|              | DATE | QTY | ACC. QTY | TYPE |
|--------------|------|-----|----------|------|
| PROJECT      |      |     |          |      |
| PN           |      |     |          |      |
| ACCESSORY PN |      |     |          |      |
| NOTES        |      |     |          |      |

### DYNAMIC MENU

|                   |                        |
|-------------------|------------------------|
| Order Information | <a href="#">Page 2</a> |
| Dimensions        | <a href="#">Page 3</a> |
| Accessories       | <a href="#">Page 5</a> |

[Install Instruction link](#)



### SPECIFICATIONS

|                           |  |
|---------------------------|--|
| Input Voltage             | 120-277V   |
| Power Factor              | >0.9   |
| Total Harmonic Distortion | <20%   |
| Dimming                   | TRIAC & 0-10V dimming (down 10%)   |
| CRI                       | 90 CRI   |
| CCT                       | <div style="display: flex; gap: 10px;"> <span style="background-color: #fff9c4; border-radius: 50%; padding: 2px 5px;">27K</span> <span style="background-color: #fff176; border-radius: 50%; padding: 2px 5px;">30K</span> <span style="background-color: #e0e0e0; border-radius: 50%; padding: 2px 5px;">35K</span> <span style="background-color: #bbdefb; border-radius: 50%; padding: 2px 5px;">40K</span> </div> |
| Efficacy                  | ~80 lm/W   |
| Size and Power            | 2 inch   5 - 8W  |
| Ambient Temperature Range | -10°C to 40°C  |
| Mounting Options          | New construction   Retrofit  |
| Reflector Finish          |  |
| Trim Shape                | Trim   |
|                           | Trimless   |
| Trim Finish               |  |
| Optical Accessories       | Honeycomb louver   Soft lens   |
| Distribution              |  |

### PRODUCT FEATURE



### PRODUCT CERTIFICATIONS



### SYSTEM WARRANTY – 5 YEARS

Eralux will warrant defective drivers, LEDs and boards for 5 years from the date of purchase. This warranty is valid only if the fixture is installed and used as per installation guides and specifications. If a defect is present, Eralux will send drivers and boards at no fee with a thorough replacement instructions along with instructions on the return of the defective parts back to Eralux.

### LUMEN MAINTENANCE – L70 at 60,000 hours

Rated for 70% initial lumen output at 60,000 hours of operation, operated at 25°C ambient temperature; per guidelines published by the Illuminating Engineering Society (IES).

## LED COMMERCIAL DOWNLIGHT

Recessed Downlight | 2" Round



### ORDERING GUIDE

|   |   |   |                                 |  |  |  |  |  |
|---|---|---|---------------------------------|--|--|--|--|--|
| <b>AE-DL-KN-2</b>   |   |   | <b>-UV</b>                      |  | <b>-X</b>  |  |  |  |
| <b>AE-DL-KN-2</b><br>ERALUX KINETA<br>NANO<br>Recessed<br>downlight<br>2-inch<br>IP20 | <b>-RA1</b><br>Round<br>Adjustable<br><b>-RF1</b><br>Round<br>Fixed | <b>BK</b><br>Black<br><b>WH</b><br>White<br><b>SP</b><br>Specular<br>Bright<br>Silver<br><b>DF</b><br>Diffused<br>Matt Silver | <b>-UV</b><br>120-277V<br>Input | <b>-5W</b><br>5W   332 Lm<br><b>-8W</b><br>8W   440 Lm | <b>-X</b><br>Dual<br>Dimming<br>0-10V &<br>TRIAC | <b>27</b><br>2700K<br><b>30</b><br>3000K<br><b>35</b><br>3500K<br><b>40</b><br>4000K | <b>-15</b><br>Narrow Flood<br>15°<br><b>-24</b><br>Flood 24°<br><b>-38</b><br>Wide Flood 38°<br><b>-55</b><br>Very Wide<br>flood 55° | <b>-WHT</b><br>White<br><b>-BKT</b><br>Black<br><b>-BK-TL</b><br>Black<br>Trimless<br><b>-WH-TL</b><br>White<br>Trimless |
| <b>Fixture Family</b>   | <b>Reflector   Finish</b>   |   | <b>Voltage</b>                  | <b>Power</b>   | <b>Dimming</b>                                   | <b>CCT</b>   | <b>Distribution</b>  | <b>Trim</b>  |



### ORDERING GUIDE – ACCESSORIES

|  |                     |   |
|--|---------------------|---|
|  |                     |   |
| <b>AE-DL-KN</b><br>ERALUX KINETA<br>NANO | <b>-2</b><br>2 Inch | <b>-COMB</b><br>Honeycomb<br>louver<br><b>-SOFTLENS</b> |
| <b>Fixture Family</b>                    | <b>SIZE</b>         | <b>TYPE</b>   |



### ORDERING GUIDE | EMBB

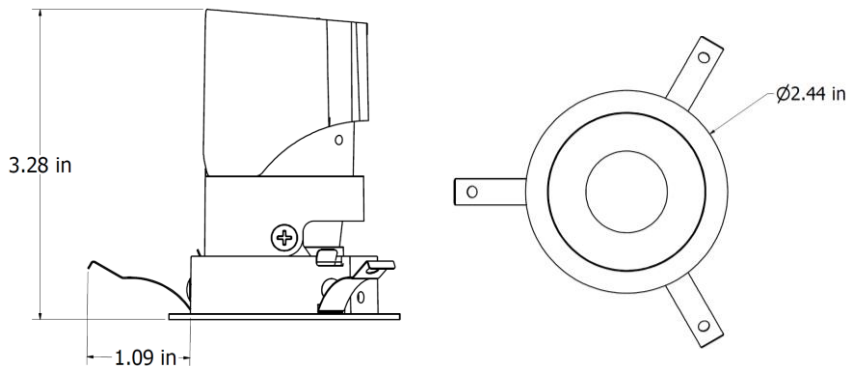
|  |
|--|
|  |
| <b>[BLANK]</b><br>No EMBB<br><b>BLD-HM8D-YYY</b><br>8W emergency battery<br>backup |
| <b>EMBB</b>  |

1. Junction Box is not included. KINETA SERIES comes with a junction box by default.

#### DIMENSIONS

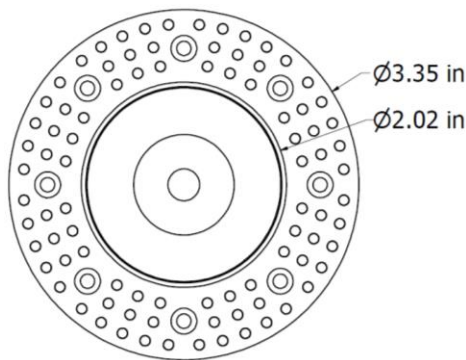
#### AE-DL-KN-2

#### Round Trim



Ceiling Cut out  
2.16"±0.10" Ø

#### Round Trimless

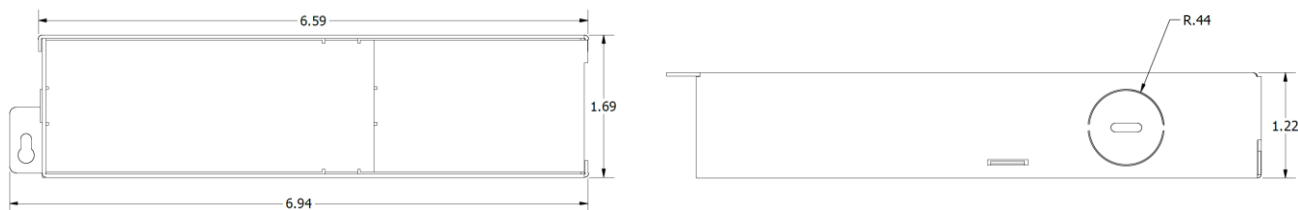


Ceiling Cut out  
2.16"±0.10" Ø

#### Ceiling Thickness



#### Driver



## LED COMMERCIAL DOWNLIGHT

Recessed Downlight | 2" Round

### REFLECTOR

- Rotation up to 355°
- Tilt 30° ( RA1 – SA1)



| FINISH                 |   |   |   |   |
|------------------------|---|---|---|---|
| SHAPE                  | WHITE   | BRIGHT SILVER   | DIFFUSED SILVER   | BLACK   |
| ROUND ADJUSTABLE (RA1) |   |   |   |   |
| ROUND FIX (RF1)        |   |   |   |   |
| DESCRIPTION            | Maximizes and diffuses light, providing soft and even illumination. | Directs light precisely, producing sharp highlights and enhancing brightness. | Evenly scatters light, creating a soft, balanced illumination with reduced glare. | Absorbs light, creating a focused and dramatic effect with minimized glare. |

### DIMMER COMPATIBILITY LIST

| Brand   | Model     | Dim Depth To | DIM   |
|---------|-----------|--------------|-------|
| LEVITON | IPM10     | OFF          | TRIAC |
|         | 6674      | OFF          | TRIAC |
|         | AWSMT-EB  | OFF          | TRIAC |
| LUTRON  | DVCL-153P | 2%           | TRIAC |
|         | NTLV-603P | 1%           | TRIAC |
|         | GT-250M   | 1%           | TRIAC |
|         | MACL-153M | 1%           | TRIAC |
|         | PD-6WCL   | 1%           | TRIAC |
|         | DSL06     | 2%           | TRIAC |
|         | DV-600P   | 1%           | TRIAC |
|         | RRD-10ND  | 2%           | TRIAC |
|         | NTELV-300 | 1%           | ELV   |
|         | SELV-300P | 1%           | ELV   |



## LED COMMERCIAL DOWNLIGHT

Recessed Downlight | 2" Round

### TRIM

| TRIM                          |       | SHAPE |  |
|-------------------------------|-------|-------|--|
| FINISH                        | ROUND |       |  |
| WHITE<br>(-WHT)               |       |       |  |
| Black<br>(-BKT)               |       |       |  |
| WHITE<br>TRIMLESS<br>(-WH-TL) |       |       |  |
| Black<br>TRIMLESS<br>(-BK-TL) |       |       |  |

### OPTICAL ACCESSORIES

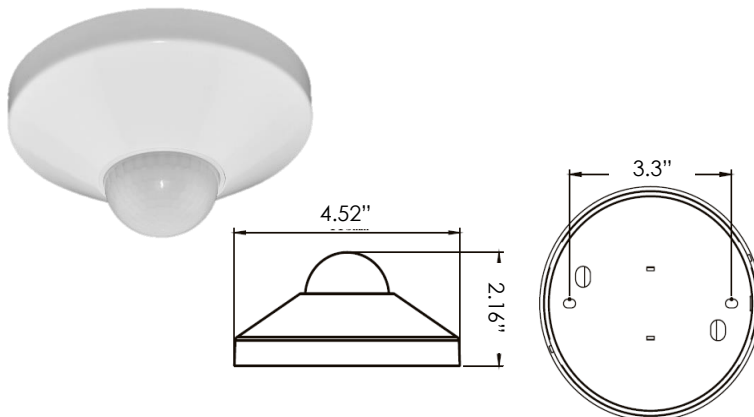
| ORDERING CODE       | DESCRIPTION  | LIGHT GLARE | PICTURE |
|---------------------|--|-------------|---------|
| AE-DL-KN-3-COMB     | Honeycomb louver<br>Reduce the glare of the light source and luminaire |             |         |
| AE-DL-KN-3-SOFTLENS | Softening Glass lens   |             |         |

## LED COMMERCIAL DOWNLIGHT

Recessed Downlight | 2" Round

### ROOM OCCUPANCY SENSOR

| PART NUMBER | DESCRIPTION                     |
|-------------|---------------------------------|
| AE-CT-DT806 | Detecta - Room Occupancy Sensor |
| RC102       | RC102 Remote Control            |



| SPECIFICATIONS  |                  |
|-----------------|------------------|
| Input Voltage   | 120-277 Vac      |
| Power Frequency | 50/60HZ          |
| Rated Load      | At 120 Vac 800W  |
|                 | At 277 Vac 1200W |
| Detection Range | 3-10 Meters      |
|                 | 9.8- 32.8 Feet   |
| Standby Power   | ~0.9W            |
| Time Setting    | 10 sec to 30 min |
| Light Control   | 10-2,000LUX      |
| Installation    | Ceiling Mounted  |

### CONTROLS

Ordered separately, field installed

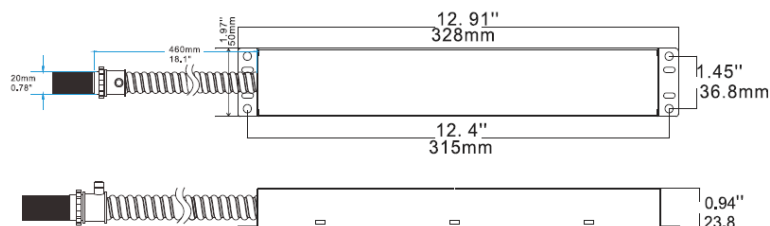
### EMERGENCY LED DRIVER (BLD-HMXXD-YYY)

BLD-HM8D-YYY



The BLD-HMXXD-YYY series LED Emergency Driver is UL listed for field and factory installations. It switches to emergency mode during power failures, providing up to 90 minutes of lighting. With an integrated battery, charger, and converter, it delivers 6-25W constant power at 170VDC. Ideal for 0-10V dimmable indoor commercial LED fixtures, such as flat panels, troffers, downlights, and linear strip lights.

| SPECIFICATIONS      |               |
|---------------------|---------------|
| Input Voltage       | 100-347 Vac   |
| Power Frequency     | 50/60HZ       |
| Input Power         | 8W max        |
| Output Voltage      | 170V Dc       |
| Output Power        | 8W            |
| Ambient Temperature | 0°C to 50°C   |
|                     | 30°F to 122°F |
| Installation        | Remote        |



## LED COMMERCIAL DOWNLIGHT

Recessed Downlight | 2" Round

### LUMEN ESTIMATE

Lumen output varies based on CCT and CRI. An estimate of lumen output of the various CCT/CRI combinations, use correction factors as per table below:

#### LUMEN ESTIMATE ADJUSTMENT FACTORS

| CCT             | 2700K | 3000K | 3500K | 4000K |
|-----------------|-------|-------|-------|-------|
| PREMIUM (90CRI) | 0.8   | 0.86  | 0.93  | 0.93  |

### PHOTOMETRIC DATA

| PART NUMBER  |       | ZONAL LUMEN SUMMARY |        |           | POLAR LUMINOUS INTENSITY | CONE DISTRIBUTION                               |         |               |
|--------------|-------|---------------------|--------|-----------|--------------------------|---|---------|---------------|
| AE-DL-KN-2   |       | Zone                | Lumens | % Fixture | Direct Light             | Center Beam Fc                                  |         | Beam Width    |
| Wattage      | 8W    | 0-20°               | 336.35 | 76        |                          | 1.7ft   | 593 fc  | 0.8 ft 0.8 ft |
| CCT          | 3000K | 0-30°               | 413.14 | 93.3      |                          | 3.3ft   | 157 fc  | 1.6 ft 1.5 ft |
| Distribution | 15°   | 0-40°               | 428.4  | 96.8      |                          | 5.0ft   | 68.6 fc | 2.4 ft 2.3 ft |
| SIZE         | 2"    | 0-60°               | 431.46 | 97.5      |                          | 6.7ft   | 38.2 fc | 3.2 ft 3.1 ft |
|              |       | 0-80°               | 431.62 | 97.5      |                          | 8.3ft   | 24.9 fc | 4.0 ft 3.9 ft |
|              |       | 0-90°               | 431.7  | 97.5      |                          | 10.0ft  | 17.1 fc | 4.8 ft 4.7 ft |
|              |       |                     |        |           |                          | ■ Vert. Spread: 27.0°<br>■ Horiz. Spread: 26.4° |         |               |
| PART NUMBER  |       | ZONAL LUMEN SUMMARY |        |           | POLAR LUMINOUS INTENSITY | CONE DISTRIBUTION                               |         |               |
| AE-DL-KN-2   |       | Zone                | Lumens | % Fixture | Direct Light             | Center Beam Fc                                  |         | Beam Width    |
| Wattage      | 8W    | 0-20°               | 379.41 | 73.5      |                          | 1.7ft   | 527 fc  | 1.0 ft 1.0 ft |
| CCT          | 3000K | 0-30°               | 483.76 | 93.7      |                          | 3.3ft   | 140 fc  | 2.0 ft 2.0 ft |
| Distribution | 24°   | 0-40°               | 500.75 | 97        |                          | 5.0ft   | 60.9 fc | 3.0 ft 3.0 ft |
| SIZE         | 2"    | 0-60°               | 503.51 | 97.5      |                          | 6.7ft   | 33.9 fc | 4.0 ft 4.1 ft |
|              |       | 0-80°               | 503.68 | 97.5      |                          | 8.3ft   | 22.1 fc | 5.0 ft 5.0 ft |
|              |       | 0-90°               | 503.77 | 97.6      |                          | 10.0ft  | 15.2 fc | 6.0 ft 6.1 ft |
|              |       |                     |        |           |                          | ■ Vert. Spread: 33.5°<br>■ Horiz. Spread: 33.8° |         |               |
| PART NUMBER  |       | ZONAL LUMEN SUMMARY |        |           | POLAR LUMINOUS INTENSITY | CONE DISTRIBUTION                               |         |               |
| AE-DL-KN-2   |       | Zone                | Lumens | % Fixture | Direct Light             | Center Beam Fc                                  |         | Beam Width    |
| Wattage      | 8W    | 0-20°               | 291.34 | 56.1      |                          | 1.7ft   | 326 fc  | 1.4 ft 1.4 ft |
| CCT          | 3000K | 0-30°               | 456.58 | 87.8      |                          | 3.3ft   | 86.5 fc | 2.7 ft 2.7 ft |
| Distribution | 38°   | 0-40°               | 503.18 | 96.8      |                          | 5.0ft   | 37.7 fc | 4.1 ft 4.1 ft |
| SIZE         | 2"    | 0-60°               | 506.88 | 97.5      |                          | 6.7ft   | 21 fc   | 5.5 ft 5.5 ft |
|              |       | 0-80°               | 507.05 | 97.6      |                          | 8.3ft   | 13.7 fc | 6.8 ft 6.8 ft |
|              |       | 0-90°               | 507.14 | 97.6      |                          | 10.0ft  | 9.42 fc | 8.2 ft 8.2 ft |
|              |       |                     |        |           |                          | ■ Vert. Spread: 44.5°<br>■ Horiz. Spread: 44.4° |         |               |
| PART NUMBER  |       | ZONAL LUMEN SUMMARY |        |           | POLAR LUMINOUS INTENSITY | CONE DISTRIBUTION                               |         |               |
| AE-DL-KN-2   |       | Zone                | Lumens | % Fixture | Direct Light             | Center Beam Fc                                  |         | Beam Width    |
| Wattage      | 8W    | 0-20°               | 235.57 | 47.7      |                          | 1.7ft   | 254 fc  | 1.6 ft 1.6 ft |
| CCT          | 3000K | 0-30°               | 402.28 | 81.5      |                          | 3.3ft   | 67.3 fc | 3.2 ft 3.1 ft |
| Distribution | 55°   | 0-40°               | 474.36 | 96.1      |                          | 5.0ft   | 29.3 fc | 4.8 ft 4.7 ft |
| SIZE         | 2"    | 0-60°               | 481.14 | 97.5      |                          | 6.7ft   | 16.3 fc | 6.4 ft 6.4 ft |
|              |       | 0-80°               | 481.33 | 97.6      |                          | 8.3ft   | 10.6 fc | 7.9 ft 7.9 ft |
|              |       | 0-90°               | 481.42 | 97.6      |                          | 10.0ft  | 7.33 fc | 9.6 ft 9.5 ft |
|              |       |                     |        |           |                          | ■ Vert. Spread: 51.1°<br>■ Horiz. Spread: 50.8° |         |               |

#### OVERVIEW

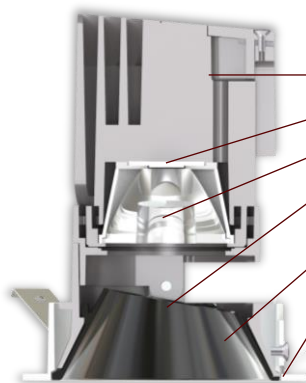


#### Innovative Design

- Brushed metal housing.
- Improved design extends LED and driver lifespan.
- Stainless steel housing clips



#### Multiple Options



- Two powers 5W and 8W.
- Four CCT options.
- Variety of beam angles.
- Adjustable and Fixed round reflector.
- Multiple reflector finishes.
- Round Black / white trim and trimless options.



#### Accessories

- Honeycomb louvers and soft lens.
- Emergency back up battery.



#### Tests And Certifications

