

KINETA 4

LED COMMERCIAL DOWNLIGHT

RECESSED DOWNLIGHT



The KINETA 4 LED downlight are the ideal recessed downlight for any retrofit or new construction project. The spring-action housing clips facilitate the installation process. The KINETA separates itself from competitor downlights by having a super modular design with round and square, adjustable and fixed options. Replacing LED modules, mounting rings, beam lens and reflectors with no need for tools.

eralux®



| | |
|---------------|-------------------------------|
| DATE | |
| PROJECT NAME | |
| TYPE | |
| QTY | |
| ORDERING CODE | AE-DL-KN-4 - - -UV - -X - - - |

OPERATING & ELECTRICAL

| | |
|---------------------------------|-------------|
| INPUT VOLTAGE | 120-277 Vac |
| POWER FACTOR | >0.9 |
| TOTAL HARMONIC DISTORTION (THD) | <20% |

PERFORMANCE

| | |
|-----------------|--|
| LUMENS PER WATT | 80 LPW at 90CRI |
| BEAM ANGLE | 15°, 24°, 38°, 55° |
| DIMMING | 0-10V external dimming (Dim down to 10%) Triac Dual dimming |

MECHANICAL & HOUSING

| | |
|--------------|---|
| HOUSING | Brushed metal |
| LENS | PMMA and high transmittance lens |
| FINISH | Brushed metal providing an elegant finish |
| POWER SUPPLY | Factory wired electronic LED driver |
| LED BOARD | COB |
| SPRING | Stainless steel spring-action clips |

APPLICATION CONDITION

| | |
|---------------------------|----------------|
| AMBIENT TEMPERATURE RANGE | -10 °C to 40°C |
| PROTECTION | IP20 IP44 |

COMPATIBLE MOUNTING

| | |
|----------|----------|
| MOUNTING | Recessed |
|----------|----------|

WARRANTY

SYSTEM WARRANTY – 5 YEARS

Eralux will warrant defective drivers, LEDs and boards for 5 years from the date of purchase. This warranty is valid only if the fixture is installed and used as per installation guides and specifications. If a defect is present, Eralux will send drivers and boards at no fee with a thorough replacement instructions along with instructions on the return of the defective parts back to Eralux.

LUMEN MAINTENANCE – L70 at 50,000 hours

Rated for 70% initial lumen output at 50,000 hours of operation, operated at 25°C ambient temperature; per guidelines published by the Illuminating Engineering Society (IES).

| | |
|---------------|-------------------------------|
| DATE | |
| PROJECT NAME | |
| TYPE | |
| QTY | |
| ORDERING CODE | AE-DL-KN-4 - - -UV - -X - - - |

ORDERING GUIDE

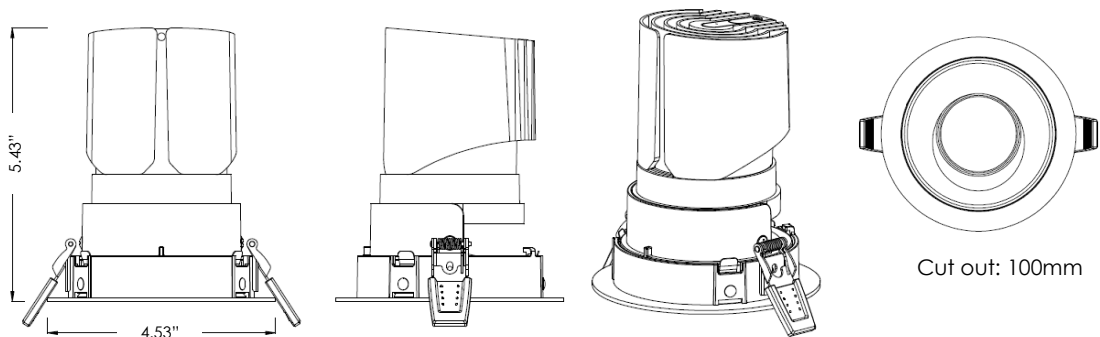
EXAMPLE: AE-DL-KN-4-RA1BK-UV-25W-X-30-15

| FIXTURE FAMILY | SIZE | REFLECTOR | REFLECTORS FINISH | VOLTAGE | POWER | CONTROLS | CCT | BEAM | TRIM | |
|--|----------------|-----------------------------------|-------------------------------------|-------------------------|--|--|--|-----------------------------------|------------------------------|---------------------------|
| AE-DL-KN | -4 | - | | -UV | - | -X | - | - | - | |
| AE-DL-KN ERALUX KINETA Series recessed downlight | -4 4 inches | -RA1* Round | BK Black | -UV 120-277 V | -20W 20 watts; 1,600 lumens | -X 0-10V external dimming & Triac Dual dimming | -27 2700K CCT | -15 15° Beam angle | -WHT White Trim | |
| | | | WH White | | | | | | | |
| | | -SA1* Square Adjustable | SP Specular bright silver | | | | -25W 25 watts; 2,000 lumens | -30 3000K CCT | -24 24° Beam angle | -BKT Black Trim |
| | | | -RF1 Round Fixed | | | | | DF Diffused matt silver | -35 3500K CCT | |
| | | | | | | -40 4000K CCT | -55 55° Beam angle | | | |

Maximum tilt angle is 30for adjustable reflectors.

PRODUCT DIMENSIONS

AE-DL-KN-4-RA1XX-UV-25W-X-XX-XX

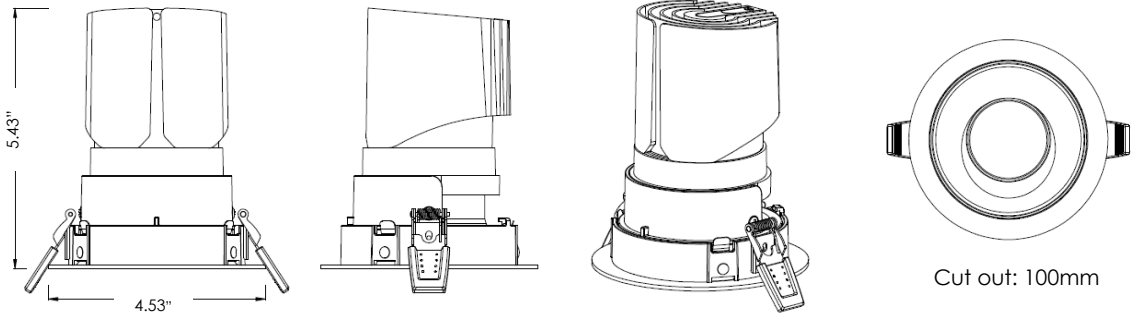


KINETA

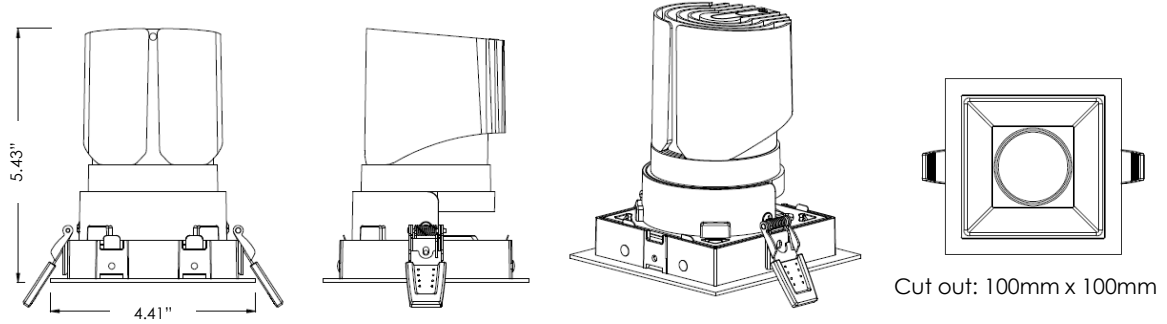
LED COMMERCIAL DOWNLIGHT
RECESSED DOWNLIGHT

| | |
|---------------|-------------------------------|
| DATE | |
| PROJECT NAME | |
| TYPE | |
| QTY | |
| ORDERING CODE | AE-DL-KN-4 - - -UV - -X - - - |

AE-DL-KN-4-RF1XX-UV-25W-X-XX-XX

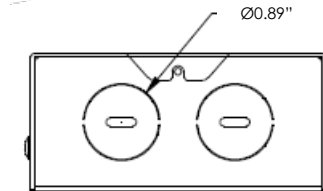
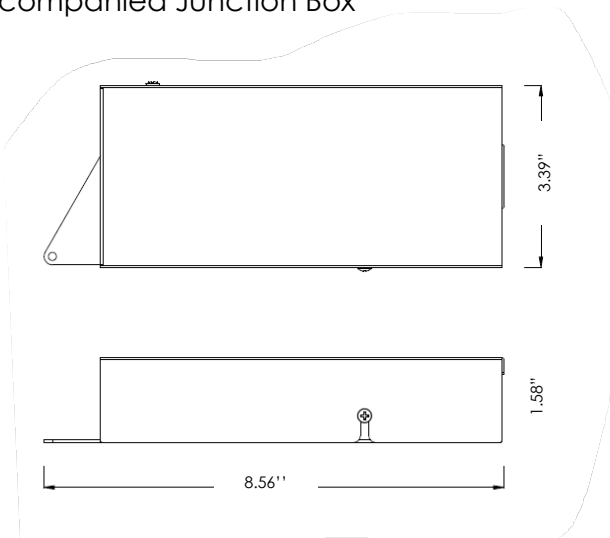


AE-DL-KN-4-SA1XX-UV-25W-X-XX-XX



DIMENSIONS (mm)

Accompanied Junction Box



| | |
|---------------|-------------------------------|
| DATE | |
| PROJECT NAME | |
| TYPE | |
| QTY | |
| ORDERING CODE | AE-DL-KN-4 - - -UV - -X - - - |

ACCESSORIES

Ordered separately, field installed

NEW CONSTRUCTION UNIVERSAL FRAME KIT

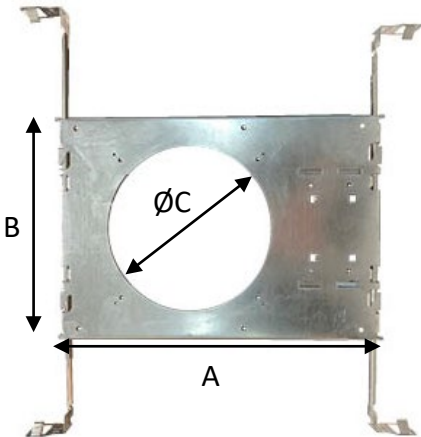


MATERIAL 22-gauge galvanized steel housing

MOUNTING T-bar or drywall ceilings
Up to 1.5" thick

Ordering Code AE-DL-FRKT-04-UNV (round)
AE-DL-FRKT-UNA-04-UNV (square)

FRAME KIT DIMENSIONS



DIMENSIONS

| | | |
|----------|---|------------------|
| | A | 12.75" [324 mm] |
| 4" Round | B | 8.63" [219 mm] |
| | C | Ø 4.50" [114 mm] |
| | A | 12.75" [324mm] |
| 6" Round | B | 8.63" [219 mm] |
| | C | Ø 6.37" [162 mm] |
| | A | 12.75" [324mm] |
| 8" Round | B | 8.63" [219 mm] |
| | C | Ø 7.25" [184 mm] |

| | |
|---------------|-------------------------------|
| DATE | |
| PROJECT NAME | |
| TYPE | |
| QTY | |
| ORDERING CODE | AE-DL-KN-4 - - -UV - -X - - - |

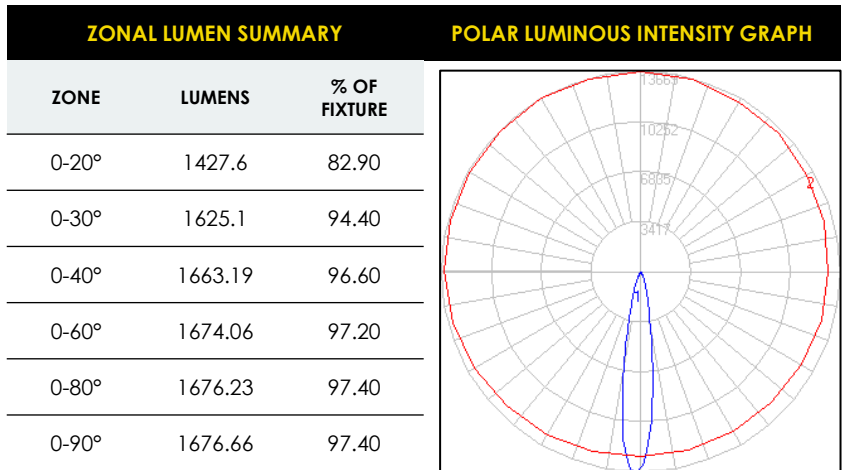
LUMEN ESTIMATE

Lumen output varies based on CCT and CRI. An estimate of lumen output of the various CCT/CRI combinations, use correction factors as per table below:

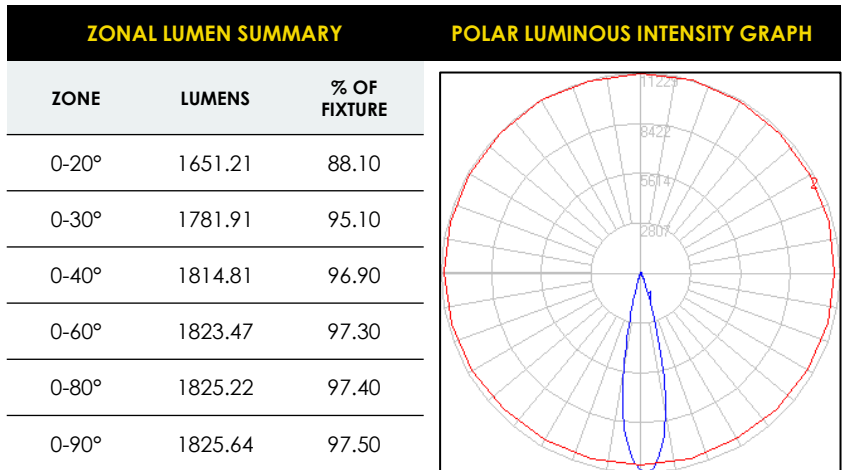
| LUMEN ESTIMATE ADJUSTMENT FACTORS | | | | |
|-----------------------------------|-------|-------|-------|-------|
| CCT | 2700K | 3000K | 3500K | 4000K |
| NORMAL (90CRI) | .94 | 1 | 1.02 | 1.03 |

PHOTOMETRIC DATA

AE-DL-KN-4-RA1XX-UV-25W-X-30-15
Round Adjustable
15° Beam Angle



AE-DL-KN-4-RA1XX-UV-25W-X-30-24
Round Adjustable
24° Beam Angle



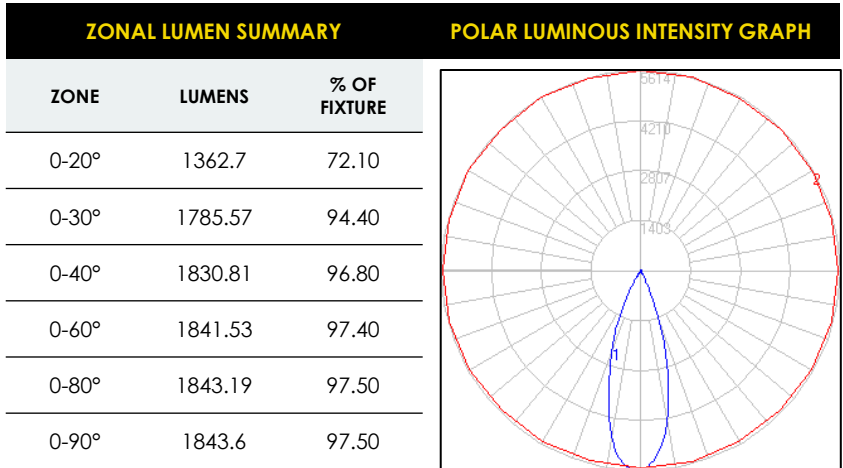
| | |
|---------------|-------------------------------|
| DATE | |
| PROJECT NAME | |
| TYPE | |
| QTY | |
| ORDERING CODE | AE-DL-KN-4 - - -UV - -X - - - |

PHOTOMETRIC DATA (CONTINUE)

AE-DL-KN-4-RA1XX-UV-25W-X-30-38

Round Adjustable

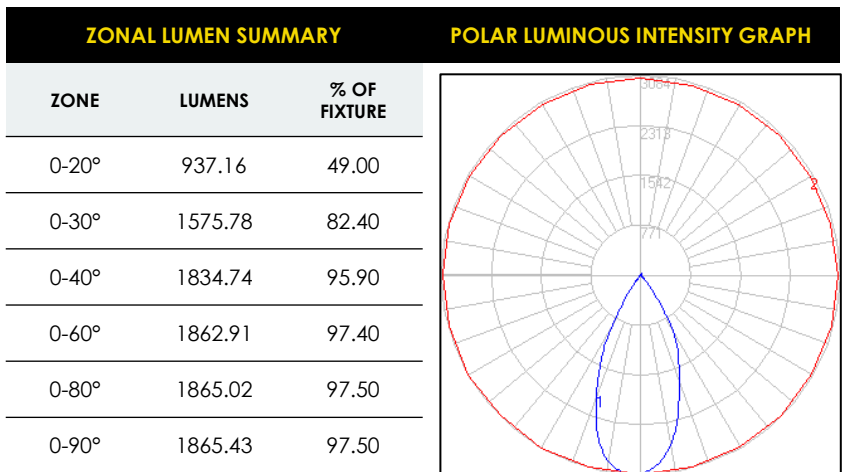
38° Beam Angle



AE-DL-KN-4-RA1XX-UV-25W-X-30-55

Round Adjustable

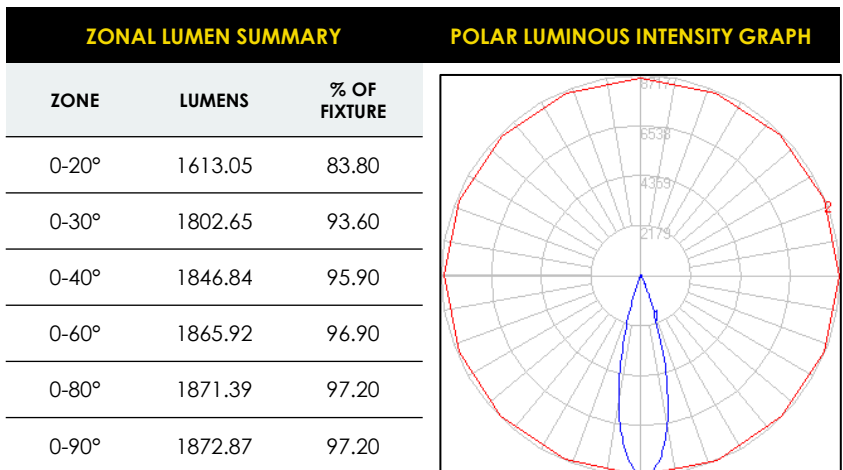
55° Beam Angle



AE-DL-KN-4-RA1XX-UV-25W-X-30-24

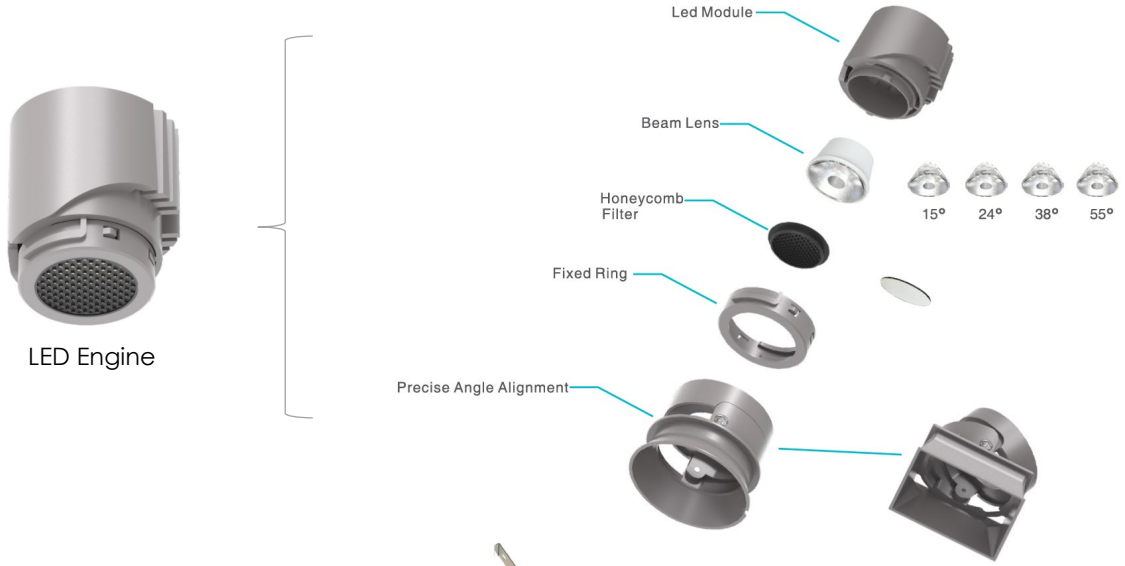
Square Adjustable

24° Beam Angle



| | |
|---------------|-------------------------------|
| DATE | |
| PROJECT NAME | |
| TYPE | |
| QTY | |
| ORDERING CODE | AE-DL-KN-4 - - -UV - -X - - - |

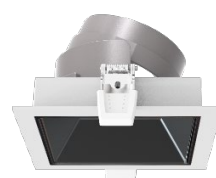
PRODUCT ASSEMBLY GUIDE



Round Adjustable



Round Fixed



Square Adjustable

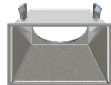
Reflector Options:

Diffuse matt silver

Black

Specular bright silver

Square Adjustable



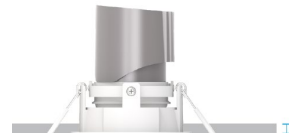
Round Adjustable



Round Fixed



Ceiling Thickness:



10mm-20mm
[0.4"-0.8"]

| | |
|---------------|-------------------------------|
| DATE | |
| PROJECT NAME | |
| TYPE | |
| QTY | |
| ORDERING CODE | AE-DL-KN-4 - - -UV - -X - - - |

OVERVIEW



SUPER MODULAR DESIGN

Unique super modular design making the assemble and disassemble process toolless and effortless. Lens changing and trim changing can be easily done in just one minute.

FLEXIBLE HEADS

One engine module fits for both fixed and adjustable heads, in both round and square shapes, making KINETA fit for any kinds of projects and customizable space lighting.

VARIOUS REFLECTORS

Reflectors are available in specular, diffuse and charcoal black. They could fulfill all your needs to create a desirable lighting effect.

HIGH-END FIXTURE

Radial engine shape conveniences wire arrangement and reduces engine weight without sacrificing aesthetics.



+



=



LED Module

Mounting Ring

Luminaire