

# KINETA 4

LED COMMERCIAL DOWNLIGHT

RECESSED DOWNLIGHT



The KINETA 4 LED downlight are the ideal recessed downlight for any retrofit or new construction project. The spring-action housing clips facilitate the installation process. The KINETA separates itself from competitor downlights by having a super modular design with round and square, adjustable and fixed options. Replacing LED modules, mounting rings, beam lens and reflectors with no need for tools.

eralux®



|               |                               |
|---------------|-------------------------------|
| DATE          |                               |
| PROJECT NAME  |                               |
| TYPE          |                               |
| QTY           |                               |
| ORDERING CODE | AE-DL-KN-4 - - -UV - -X - - - |

## OPERATING & ELECTRICAL

|                                 |             |
|---------------------------------|-------------|
| INPUT VOLTAGE                   | 120-277 Vac |
| POWER FACTOR                    | >0.9        |
| TOTAL HARMONIC DISTORTION (THD) | <20%        |

## PERFORMANCE

|                 |  |
|-----------------|--|
| LUMENS PER WATT | 80 LPW at 90CRI  |
| BEAM ANGLE      | 15°, 24°, 38°, 55°   |
| DIMMING         | 0-10V external dimming (Dim down to 10%)<br>Triac Dual dimming |

## MECHANICAL & HOUSING

|              |   |
|--------------|---|
| HOUSING      | Brushed metal                             |
| LENS         | PMMA and high transmittance lens          |
| FINISH       | Brushed metal providing an elegant finish |
| POWER SUPPLY | Factory wired electronic LED driver       |
| LED BOARD    | COB                                       |
| SPRING       | Stainless steel spring-action clips       |

## APPLICATION CONDITION

|                           |                |
|---------------------------|----------------|
| AMBIENT TEMPERATURE RANGE | -10 °C to 40°C |
| PROTECTION                | IP20<br>IP44   |

## COMPATIBLE MOUNTING

|          |          |
|----------|----------|
| MOUNTING | Recessed |
|----------|----------|

## WARRANTY

### SYSTEM WARRANTY – 5 YEARS

Eralux will warrant defective drivers, LEDs and boards for 5 years from the date of purchase. This warranty is valid only if the fixture is installed and used as per installation guides and specifications. If a defect is present, Eralux will send drivers and boards at no fee with a thorough replacement instructions along with instructions on the return of the defective parts back to Eralux.

### LUMEN MAINTENANCE – L70 at 50,000 hours

Rated for 70% initial lumen output at 50,000 hours of operation, operated at 25°C ambient temperature; per guidelines published by the Illuminating Engineering Society (IES).

|               |                               |
|---------------|-------------------------------|
| DATE          |                               |
| PROJECT NAME  |                               |
| <b>TYPE</b>   |                               |
| QTY           |                               |
| ORDERING CODE | AE-DL-KN-4 - - -UV - -X - - - |

## ORDERING GUIDE

EXAMPLE: AE-DL-KN-4-RA1BK-UV-25W-X-30-15

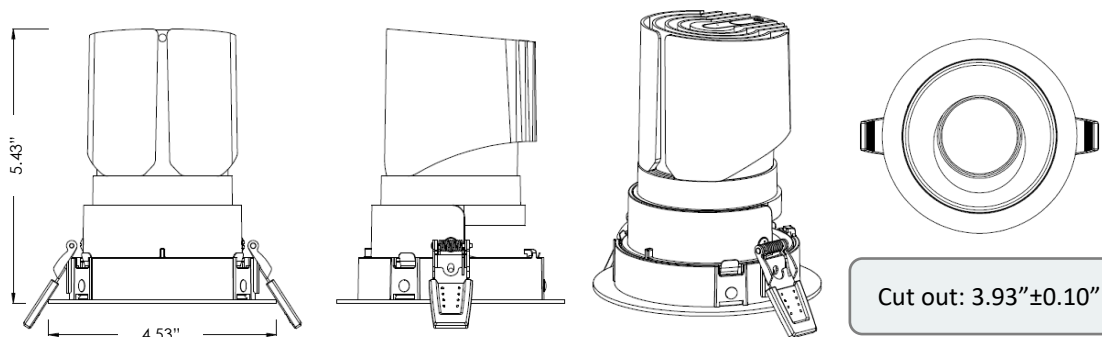
| FIXTURE FAMILY   | SIZE      | REFLECTOR                         | REFLECTORS FINISH                   | VOLTAGE                 | POWER                                    | CONTROLS   | CCT                               | BEAM                         | TRIM                                     |
|--|-----------|-----------------------------------|-------------------------------------|-------------------------|--|--|-----------------------------------|------------------------------|--|
| <b>AE-DL-KN</b>  | <b>-4</b> | <b>-</b>                          |                                     | <b>-UV</b>              | <b>-</b>                                 | <b>-X</b>  | <b>-</b>                          | <b>-</b>                     | <b>-</b>                                 |
| <b>AE-DL-KN</b><br>ERALUX KINETA Series recessed downlight | 4 inches  | <b>-RA1*</b><br>Round             | <b>BK</b><br>Black                  | <b>-UV</b><br>120-277 V | <b>-20W</b><br>20 watts;<br>1,600 lumens | <b>-X</b><br>0-10V external dimming & Triac Dual dimming | <b>-27</b><br>2700K CCT           | <b>-15</b><br>15° Beam angle | <b>-WHT</b><br>White Trim                |
|  |           |                                   | <b>WH</b><br>White                  |                         |  |  | <b>-30</b><br>3000K CCT           |                              | <b>-24</b><br>24° Beam angle             |
|  |           | <b>-SA1*</b><br>Square Adjustable | <b>SP</b><br>Specular bright silver |                         | <b>-25W</b><br>25 watts;<br>2,000 lumens |  | <b>-35</b><br>3500K CCT           | <b>-38</b><br>38° Beam angle | <b>-BK-TL**</b><br>Black Trimless Finish |
|  |           |                                   | <b>-RF1</b><br>Round Fixed          |                         |  |  | <b>DF</b><br>Diffused matt silver |                              | <b>-40</b><br>4000K CCT                  |

\*Maximum tilt angle is 30° for adjustable reflectors.

\*\*Trimless only available in Round and Round Fixed

## PRODUCT DIMENSIONS

AE-DL-KN-4-RA1XX-UV-25W-X-XX-XX

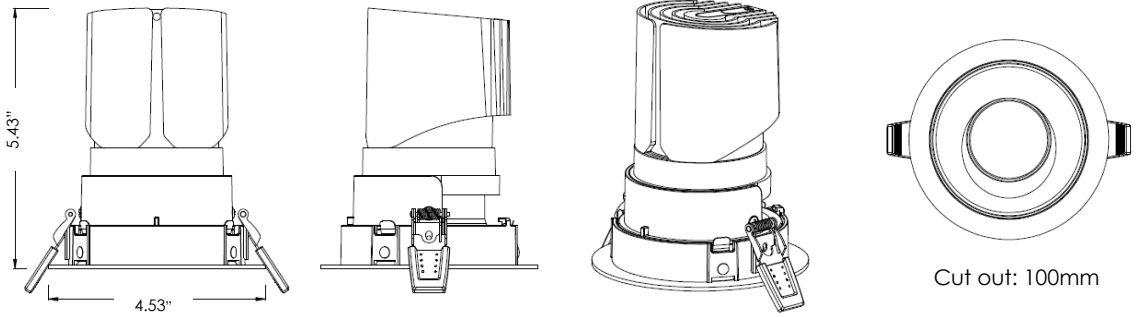


# KINETA

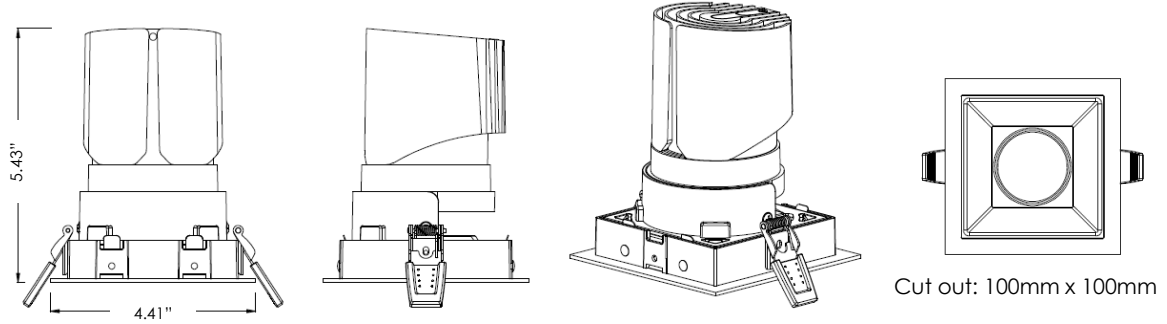
LED COMMERCIAL DOWNLIGHT  
RECESSED DOWNLIGHT

|               |                               |
|---------------|-------------------------------|
| DATE          |                               |
| PROJECT NAME  |                               |
| <b>TYPE</b>   |                               |
| QTY           |                               |
| ORDERING CODE | AE-DL-KN-4 - - -UV - -X - - - |

AE-DL-KN-4-RF1XX-UV-25W-X-XX-XX

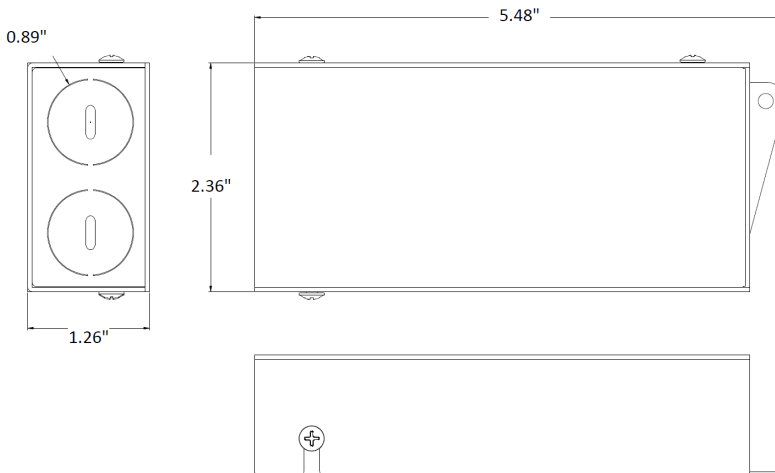


AE-DL-KN-4-SA1XX-UV-25W-X-XX-XX



## DIMENSIONS

Accompanied Junction Box



|               |                               |
|---------------|-------------------------------|
| DATE          |                               |
| PROJECT NAME  |                               |
| <b>TYPE</b>   |                               |
| QTY           |                               |
| ORDERING CODE | AE-DL-KN-4 - - -UV - -X - - - |

## ACCESSORIES

Ordered separately, field installed

## NEW CONSTRUCTION UNIVERSAL FRAME KIT

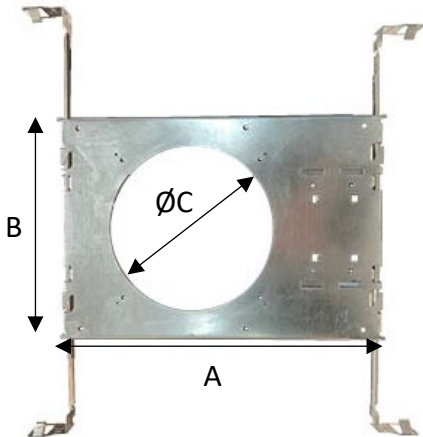


**MATERIAL** 22-gauge galvanized steel housing

**MOUNTING** T-bar or drywall ceilings  
Up to 1.5" thick

**Ordering Code** AE-DL-FRKT-04-UNV (round)  
AE-DL-FRKT-UNA-04-UNV (square)

## FRAME KIT DIMENSIONS



## DIMENSIONS

|                 |          |                  |
|-----------------|----------|------------------|
|                 | <b>A</b> | 12.75" [324 mm]  |
| <b>4" Round</b> | <b>B</b> | 8.63" [219 mm]   |
|                 | <b>C</b> | Ø 4.50" [114 mm] |
|                 | <b>A</b> | 12.75" [324mm]   |
| <b>6" Round</b> | <b>B</b> | 8.63" [219 mm]   |
|                 | <b>C</b> | Ø 6.37" [162 mm] |
|                 | <b>A</b> | 12.75" [324mm]   |
| <b>8" Round</b> | <b>B</b> | 8.63" [219 mm]   |
|                 | <b>C</b> | Ø 7.25" [184 mm] |

|               |                               |
|---------------|-------------------------------|
| DATE          |                               |
| PROJECT NAME  |                               |
| <b>TYPE</b>   |                               |
| QTY           |                               |
| ORDERING CODE | AE-DL-KN-4 - - -UV - -X - - - |

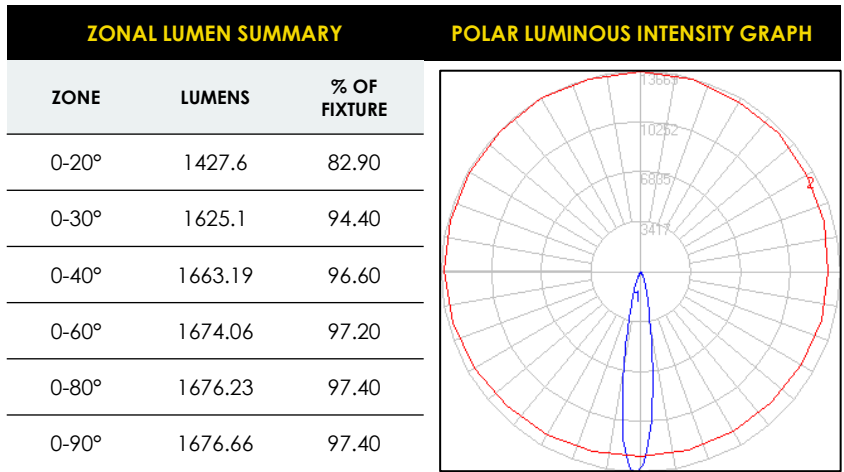
## LUMEN ESTIMATE

Lumen output varies based on CCT and CRI. An estimate of lumen output of the various CCT/CRI combinations, use correction factors as per table below:

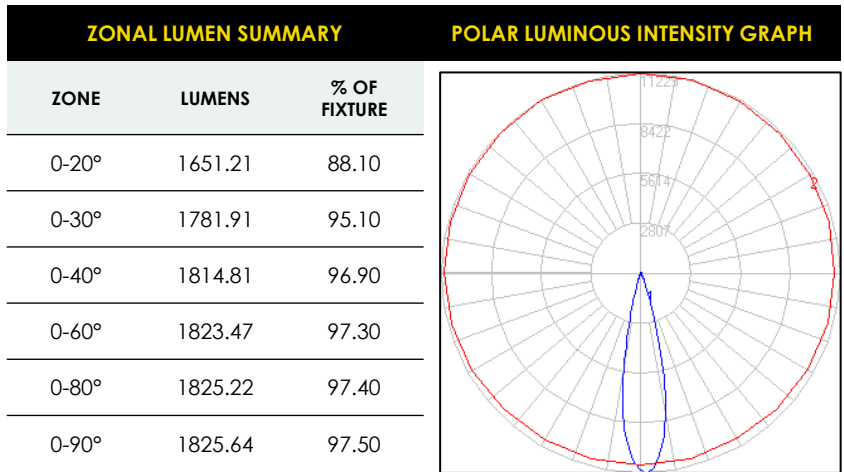
| LUMEN ESTIMATE ADJUSTMENT FACTORS |       |       |       |       |
|-----------------------------------|-------|-------|-------|-------|
| CCT                               | 2700K | 3000K | 3500K | 4000K |
| NORMAL (90CRI)                    | .94   | 1     | 1.02  | 1.03  |

## PHOTOMETRIC DATA

AE-DL-KN-4-RA1XX-UV-25W-X-30-15  
Round Adjustable  
15° Beam Angle



AE-DL-KN-4-RA1XX-UV-25W-X-30-24  
Round Adjustable  
24° Beam Angle



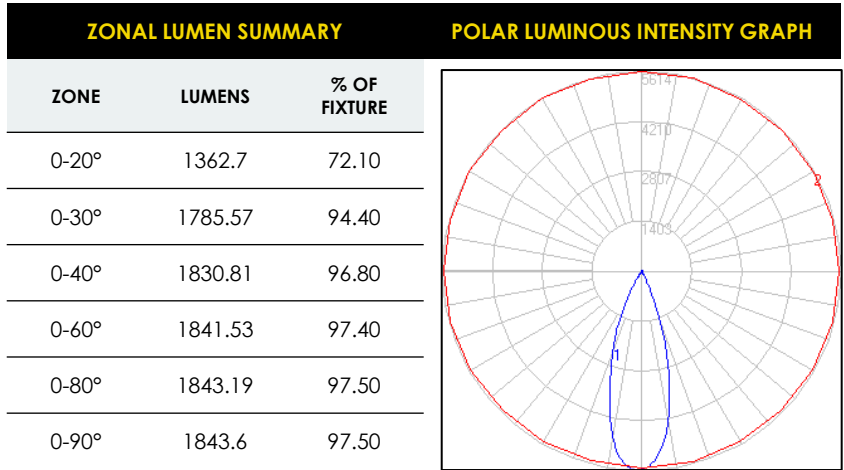
|               |                               |
|---------------|-------------------------------|
| DATE          |                               |
| PROJECT NAME  |                               |
| <b>TYPE</b>   |                               |
| QTY           |                               |
| ORDERING CODE | AE-DL-KN-4 - - -UV - -X - - - |

## PHOTOMETRIC DATA (CONTINUE)

AE-DL-KN-4-RA1XX-UV-25W-X-30-38

Round Adjustable

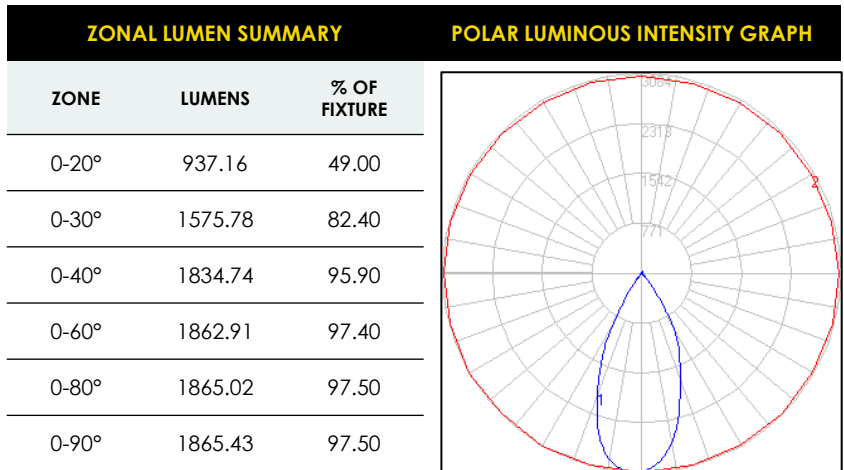
38° Beam Angle



AE-DL-KN-4-RA1XX-UV-25W-X-30-55

Round Adjustable

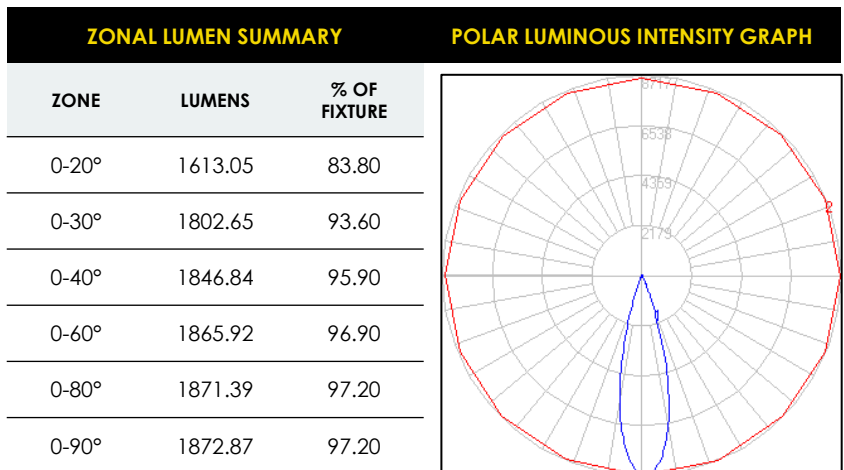
55° Beam Angle



AE-DL-KN-4-RA1XX-UV-25W-X-30-24

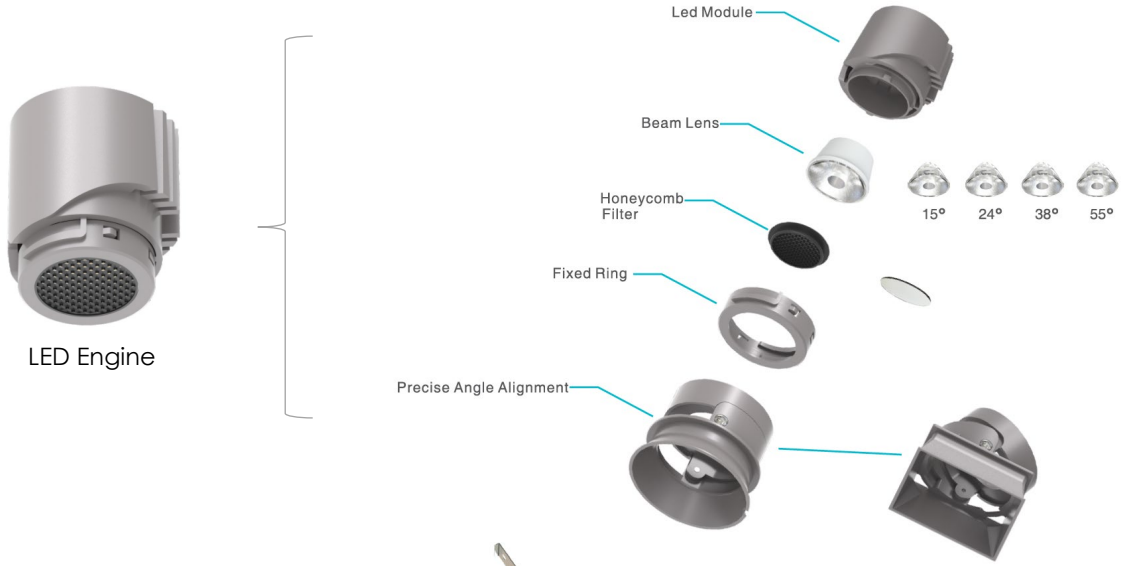
Square Adjustable

24° Beam Angle



|               |                               |
|---------------|-------------------------------|
| DATE          |                               |
| PROJECT NAME  |                               |
| <b>TYPE</b>   |                               |
| QTY           |                               |
| ORDERING CODE | AE-DL-KN-4 - - -UV - -X - - - |

## PRODUCT ASSEMBLY GUIDE



**Reflector Options:**

Diffuse matt silver      Black      Specular bright silver

Square Adjustable



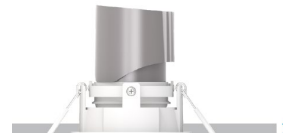
Round Adjustable



Round Fixed



**Ceiling Thickness:**



10mm-20mm  
[0.4"-0.8"]

|               |                               |
|---------------|-------------------------------|
| DATE          |                               |
| PROJECT NAME  |                               |
| <b>TYPE</b>   |                               |
| QTY           |                               |
| ORDERING CODE | AE-DL-KN-4 - - -UV - -X - - - |

## OVERVIEW



### SUPER MODULAR DESIGN

Unique super modular design making the assemble and disassemble process toolless and effortless. Lens changing and trim changing can be easily done in just one minute.

### FLEXIBLE HEADS

One engine module fits for both fixed and adjustable heads, in both round and square shapes, making KINETA fit for any kinds of projects and customizable space lighting.

### VARIOUS REFLECTORS

Reflectors are available in specular, diffuse and charcoal black. They could fulfill all your needs to create a desirable lighting effect.

### HIGH-END FIXTURE

Radial engine shape conveniences wire arrangement and reduces engine weight without sacrificing aesthetics.



+



=



LED Module

Mounting Ring

Luminaire