

SPT

LINEAR FIXTURES

Linear Architectural Lighting



The SPT series light features a 30% up-light and a 70% downlight, ideal for office space to ensure a uniformly lit working space. These fixtures can be mounted in a continuous row seamlessly. The SPT also features the selectable CCT capabilities enabling the end user to set up their environment to the right ambiance.

eralux®



DATE	
PROJECT NAME	
TYPE	
QTY	
ORDERING CODE	AE-SF-G5CA

OPERATING & ELECTRICAL

INPUT VOLTAGE	120-347V
POWER FACTOR	0.9
DIMMING	0-10V
TOTAL HARMONIC DISTORTION (THD)	<20%

PERFORMANCE

LUMENS PER WATT	105 LPW at 80CRI, 4000K
POWER	50W 80W 100W
DISTRIBUTION	Lambertian 30% up-light, 70% downlight

MECHANICAL & HOUSING

HOUSING	Extruded aluminum
LENS	Highly durable polycarbonate and high transmittance lens Drop lens option
FINISH	Nebula White Atomic Black Silver RAL7044 Gun Powder RAL7011
POWER SUPPLY	Factory wired electronic LED driver
LED BOARD	Discrete LED

APPLICATION CONDITION

AMBIENT TEMPERATURE RANGE	-10°C to 40°C
---------------------------	---------------

COMPATIBLE MOUNTING

MOUNTING	Suspended Wall
----------	-------------------

WARRANTY

SYSTEM WARRANTY – 5 YEARS

Eralux will warrant defective drivers, LEDs and boards for 5 years from the date of purchase. This warranty is valid only if the fixture is installed and used as per installation guides and specifications. If a defect is present, Eralux will send drivers and boards at no fee with a thorough replacement instructions along with instructions on the return of the defective parts back to Eralux.

LUMEN MAINTENANCE – L85 at 50,000 hours

Rated for 85% initial lumen output at 50,000 hours of operation, operated at 25°C ambient temperature; per guidelines published by the Illuminating Engineering Society (IES).

"Not all product variations listed on this page are DLC qualified with the LUNA designation. Visit <https://qpl.designlights.org/> to confirm qualification."

DATE	
PROJECT NAME	
TYPE	
QTY	
ORDERING CODE	AE-SF-SPTCA - - - - - - - -

ORDERING GUIDE

EXAMPLE: AE-SF-SPTCA45030/35/40010WH-GB

FIXTURE FAMILY	LENGTH	POWER	CCT
AE-SF-SPTCA			
AE-SF-SPTCA ERALUX SPT Selectable linear architectural fixture 120-347Vac input voltage	2 2 feet length	30 30 watts: 3,150 lumens 30% up-light, 70% downlight	30/35/40 3000/3500/4000K selectable CCT
	4 4 feet length	50 50 watts: 5,250 lumens 30% up-light, 70% downlight	
	6 6 feet length	80 80 watts: 8400 lumens 30% up-light, 70% downlight	30/40/50 3000/4000/5000K selectable CCT
	8 8 feet length	100 100 watts: 10,500 lumens 30% up-light, 70% downlight	

Continued

CONTROLS	FINISH	DIMMING	ACCESSORIES
010		-	-
010 0-10V external dimming	WH-GB ERALUX Nebula White	[LEAVE BLANK] 0-10V Standard	-PU Power cord – 120-277V
	BK-GB ERALUX Atomic Black	-LDE1** Lutron Hi-lume 1% EcoSystem driver with Soft-on, Fade-to-Black dimming technology down to 1%	-PU-C Power cord – 120-277V with 5-inch Canopy
	SV-GB Silver	-EMBB*** Emergency battery backup	-PH Power cord – 120-347V
	GN-GB Gun powder finish RAL 7011	-1DIM ****	-PH-C Power cord – 120-347V with 5-inch Canopy

CAUTION: If there are multiple fixtures connected to the same 0-10V dimming line, a 0-10V controller must be considered to enable consistent dimming across the fixtures. Failure to do so will lead to inconsistent dimming and behaviors in the fixtures. Single switch is not recommended for controlling multiple fixtures simultaneously.

Each fixture comes standard with 2x 6FT suspension wires

* Default CCT setting is 3500K but can be changed upon request before shipping.

** LDE1 option requires color selection if not the default CCT, 3500K.

*** EMBB option available in 120-277V only.

**** 1DIM available only in 120-277V, it works for 4,5,6,8 FT

Maximum of 300 Wattages powered by 1 electrical drop

See next page for additional shapes and accessories

DATE	
PROJECT NAME	
TYPE	
QTY	
ORDERING CODE	AE-SF-SPTCA

ORDERING GUIDE FOR TRIAC DIMMING

EXAMPLE: AE-SF-SPTCA44035-TRIWH-GB

FIXTURE FAMILY	LENGTH	POWER	CCT	DIMMING	FINISH
AE-SF-SPTCA				-TRI	
AE-SF-SPTCA ERALUX SPT Selectable linear architectural fixture 120-347Vac input voltage	2 2 feet length	15 15 watts: 1,575 lumens 30% up-light, 70% downlight	30 3000 K CCT	-TRI TRIAC dimming	WH-GB ERALUX Nebula White
	4 4 feet length	40 40 watts: 4,200 lumens 30% up-light, 70% downlight			
	8 8 feet length	80 80 watts: 8400 lumens 30% up-light, 70% downlight	35 3500 K CCT 40 4000 K CCT		BK-GB ERALUX Atomic Black

Each fixture comes standard with 2x 6FT suspension wires

EXAMPLE: AE-SF-SPTCA-L-30-30/35/40-XX-GX

SHAPES	
L SHAPE	AE-SF-SPTCCA-L-30-30/35/40-XX-GX
T SHAPE	AE-SF-SPTCCA-T-40-30/35/40-XX-GX
X SHAPE	AE-SF-SPTCCA-X-50-30/35/40-XX-GX

See next page for additional shapes and accessories

DATE	
PROJECT NAME	
TYPE	
QTY	
ORDERING CODE	AE-SF-G5CA - -

ORDERING GUIDE (Continued)

EXAMPLE: AE-SF-SPTCA45030/35/40010WH-GB -PCUV-CP5

ACCESSORIES	
BLANK	
-PCUV	- Power cord – 120-277V
-PCUV-CP5	- Power cord – 120-277V with 5-inch Canopy
-PCHV	- Power cord – 120-347V
-PCHV-CP5	- Power cord – 120-347V with 5-inch Canopy

2FT		20/30 watts switchable	20W– 2200 lms	6W up-light, 14Wdownlight
			30W- 3300 lms	9W up-light, 21W downlight
4FT	Avg 100-110 LPW	30/40/50 watts switchable	30W – 3300 lms	9W up-light, 21W downlight
			40W - 4400 lms	12W up-light, 28W downlight
			50W - 5500 lms	15W up-light, 35W downlight
6FT		50/60/70 watts switchable	50W - 5500 lms	15W up-light, 35W downlight
			60W - 6600 lms	18W up-light, 42W downlight
			80W - 8800 lms	24W up-light, 56W downlight
8FT		60/80/100 watts switchable	60W - 6600 lms	18W up-light, 42W downlight
			80W - 8800 lms	24W up-light, 56W downlight
			100W - 11000 lms	30W up-light, 70W downlight

TECHNICAL REQUIREMENTS – DLC MODEL

TECHNICAL REQUIREMENTS VERSION	PRODUCT ID	MODEL NUMBER
5.1	S-CQBS3J	AE-SF-SPTCA23030-35-40010YY-GB
	S-OTKXJP	AE-SF-SPTCA45030-35-40010YY-GB
	S-IZ25K3	AE-SF-SPTCA810030-35-40010YY-GB

DATE	
PROJECT NAME	
TYPE	
QTY	
ORDERING CODE	AE-SF-G5CA

Drop lens

0.5-inch extrusion of the Highly durable frosted polycarbonate lens provide a side glowing with crisp corners visible at distance.

This drop lens gives a 3d look to the light that will enliven your space and adding extra brightness to the surrounding.

The drop is available for all continuous sizes; 2FT, 4FT, 6FT, and 8FT.

23% Lumens less.

Ordered separately.



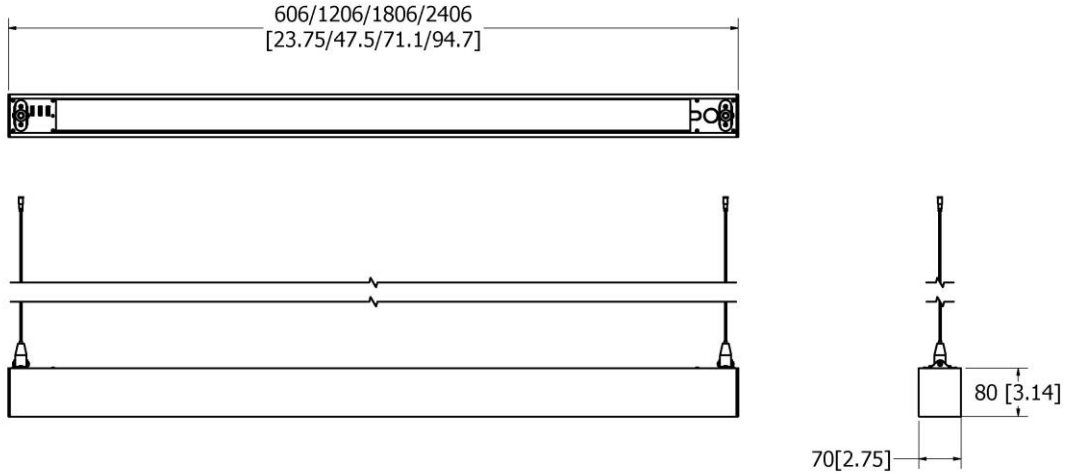
Ordering Table

ACCESSORY FAMILY	THICKNESS	LENGTH
AE-SF-G5/SPT-Drop Lens	-0.5 inch	-
AE-SF-G5/SPT-Drop Lens Drop lens for SPT and G5	-0.5 inch the drop lens come with a thickness of 0.5 inch	-2ft
		-4ft
		-6ft
		-8ft



DATE	
PROJECT NAME	
TYPE	
QTY	
ORDERING CODE	AE-SF-G5CA - - - - -

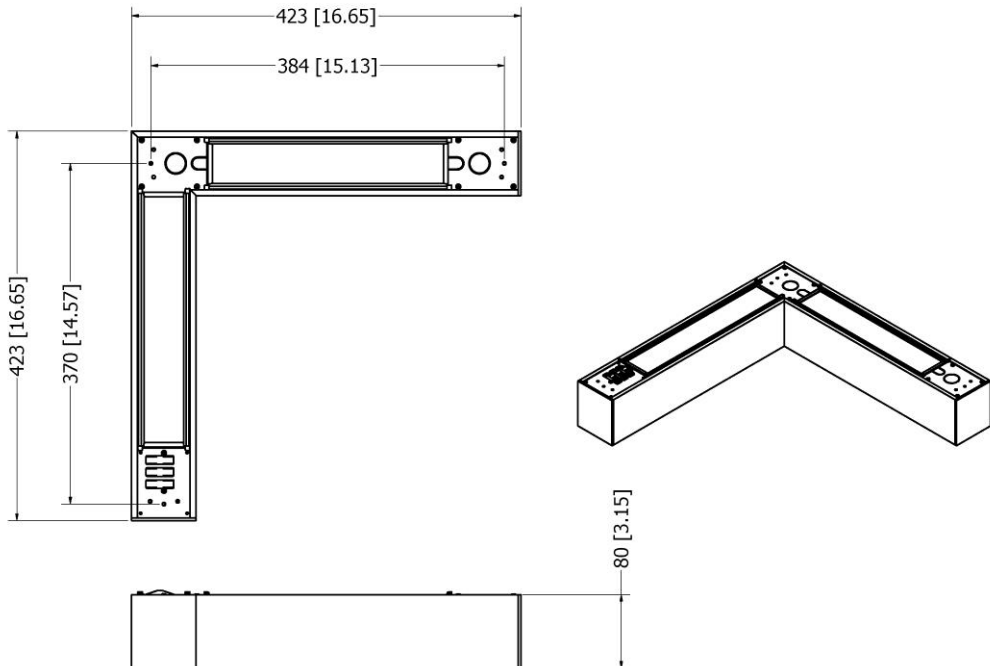
PRODUCT DIMENSIONS - SUSPENDED



PRODUCT DIMENSIONS – L SHAPE

AE-SF-SPTCA-L-30-30/35/40-XX-GX

*Surface mount bracket not available for L, T, X shapes

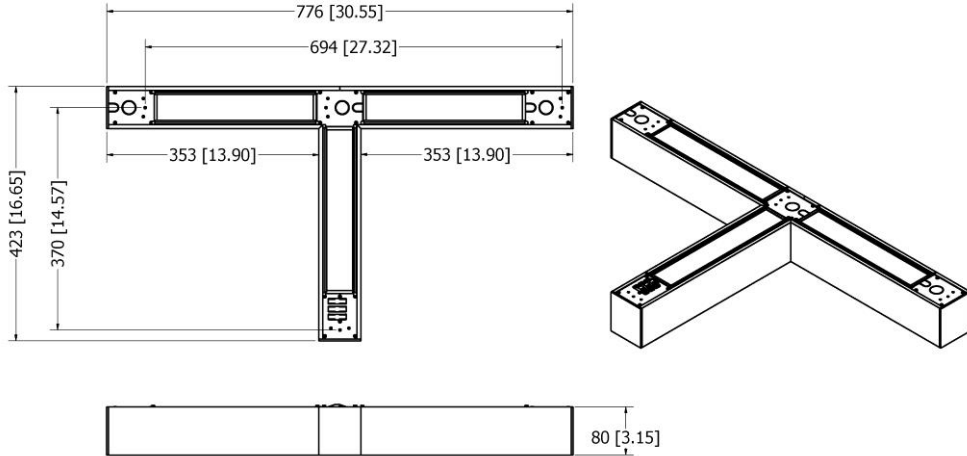


DATE	
PROJECT NAME	
TYPE	
QTY	
ORDERING CODE	AE-SF-G5CA - - - - -

PRODUCT DIMENSIONS – T SHAPE

AE-SF-SPTCA-T-40-30/35/40-XX-GX

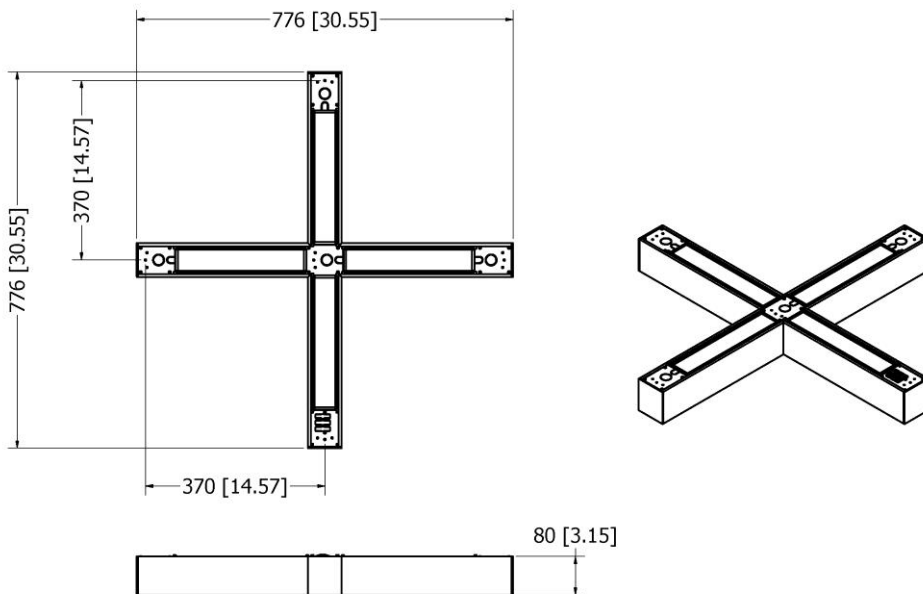
*Surface mount bracket not available for L, T, X shapes



PRODUCT DIMENSIONS – X SHAPE

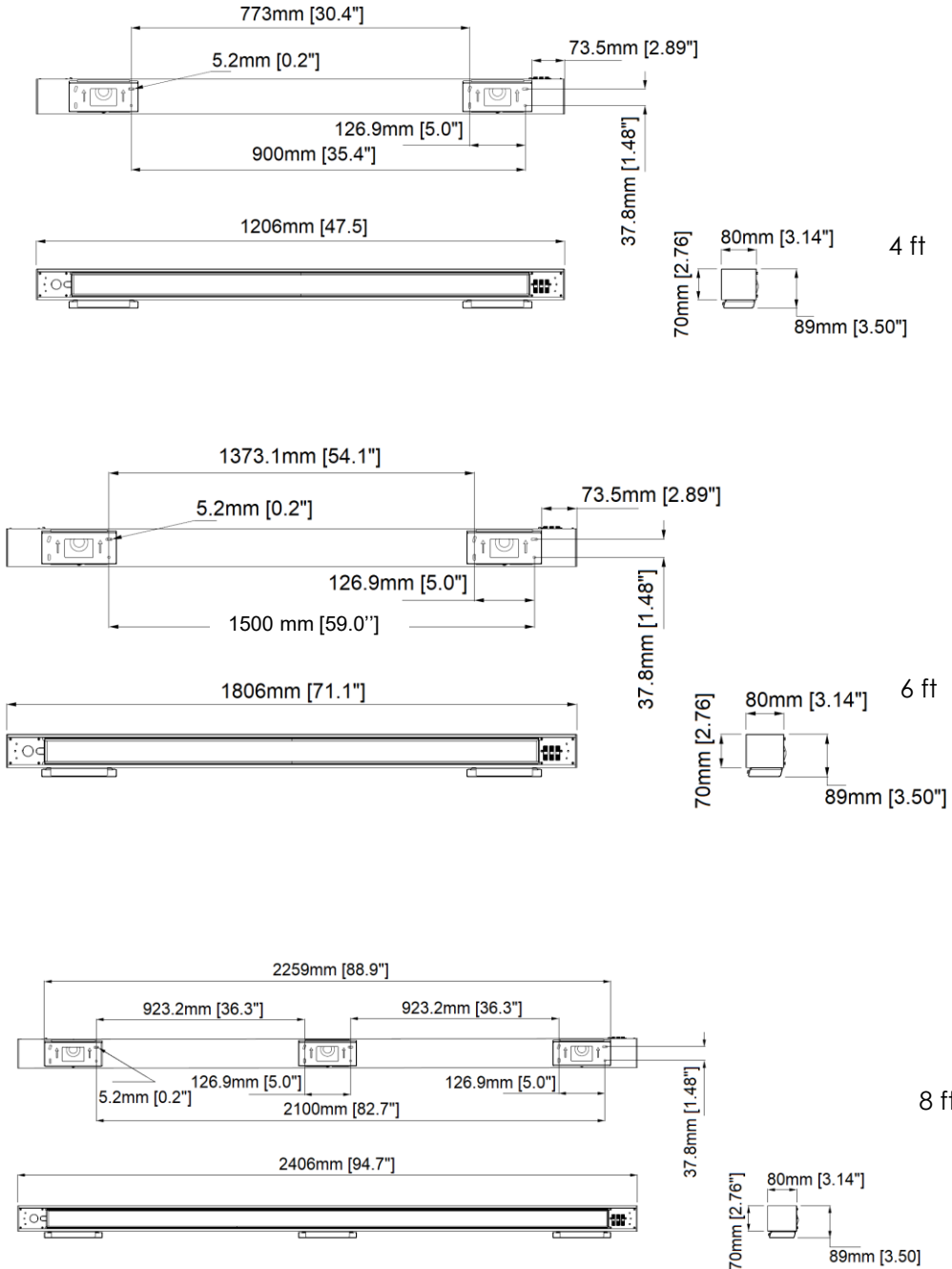
AE-SF-SPTCA-X-50-30/35/40-XX-GX

*Surface mount bracket not available for L, T, X shapes



DATE	
PROJECT NAME	
TYPE	
QTY	
ORDERING CODE	AE-SF-G5CA

PRODUCT DIMENSIONS – WALL MOUNT



DATE	
PROJECT NAME	
TYPE	
QTY	
ORDERING CODE	AE-SF-G5CA - -

ACCESSORIES





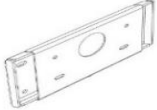
Ordered separately, field installed

PART NUMBER	DESCRIPTION	PICTURE
AE-SF-CANOPY-WH-5IN AE-SF-CANOPY-BK-5IN	Canopy Cover kit: 5" diameter – 0.8" thickness - 2 pieces White or Black	
AE-SF-CANOPY-WH-5IN-SUSP AE-SF-CANOPY-BK-5IN-SUSP	Canopy Cover kit: 5" diameter - 1 piece White or Black – Non-power feed	
AE-SF-CANOPY-WH-ELITE AE-SF-CANOPY-BK-ELITE	Canopy Cover kit: 5" diameter – 0.3" thickness- 2 pieces White or Black	
AE-SF-LINK-G2	Linkable Metal Accessory – 1 piece Fixture wired for continuous mounting	
AE-SF-G5-SMT-WH-2ft AE-SF-G5-SMT-BK-2ft	Surface mount kit for 2 feet – 1 piece – White Surface mount kit for 2 feet – 1 piece – Black	
AE-SF-G5-SMT-WH-4ft AE-SF-G5-SMT-BK-4ft	Surface mount kit for 4 feet – 1 piece – White Surface mount kit for 4 feet – 1 piece – Black	
AE-SF-G5-SMT-WH-8ft AE-SF-G5-SMT-BK-8ft	Surface mount kit for 8 feet – 1 piece – White Surface mount kit for 8 feet – 1 piece – Black	
AE-SF-PWRCORD-WH AE-SF-PWRCORD-BK	8FT power cord – 120-277V - White 8FT power cord – 120-277V - Black	
AE-SF-PWRCORD-HV-WH AE-SF-PWRCORD-HV-BK	8FT power cord – 120-347V - White 8FT power cord – 120-347V - Black	

DATE	
PROJECT NAME	
TYPE	
QTY	
ORDERING CODE	AE-SF-G5CA - -

ACCESSORIES

Ordered separately, field installed

PART NUMBER	DESCRIPTION	PICTURE
AE-SF-PWRCORD-WH-18FT AE-SF-PWRCORD-BK-18FT	18FT power cord – 120-277V - White 18FT power cord – 120-277V – Black	
AE-SF-PWRCORD-HV-WH-18FT-B AE-SF-PWRCORD-HV-BK-18FT-B	18FT power cord – 120-347V - White 18FT power cord – 120-347V - Black	
AE-SF-WIRE-12FT	2 x 12FT suspension cables	
AE-SF-WIRE-18FT	2 x 18FT suspension cables	
AE-SF-WMB-WH AE-SF-WMB-BK	Wall mount kit – 2 pieces – White Wall mount kit – 2 pieces – Black	

DATE	
PROJECT NAME	
TYPE	
QTY	
ORDERING CODE	AE-SF-G5CA

ACCESSORIES (Continued)

Ordered separately, field installed

EMERGENCY LED DRIVER (BLD-YTXXD-XXX)

BLD-YT08D-XXX

OUTPUT POWER : 8 WATTS

BLD-YT15D-XXX

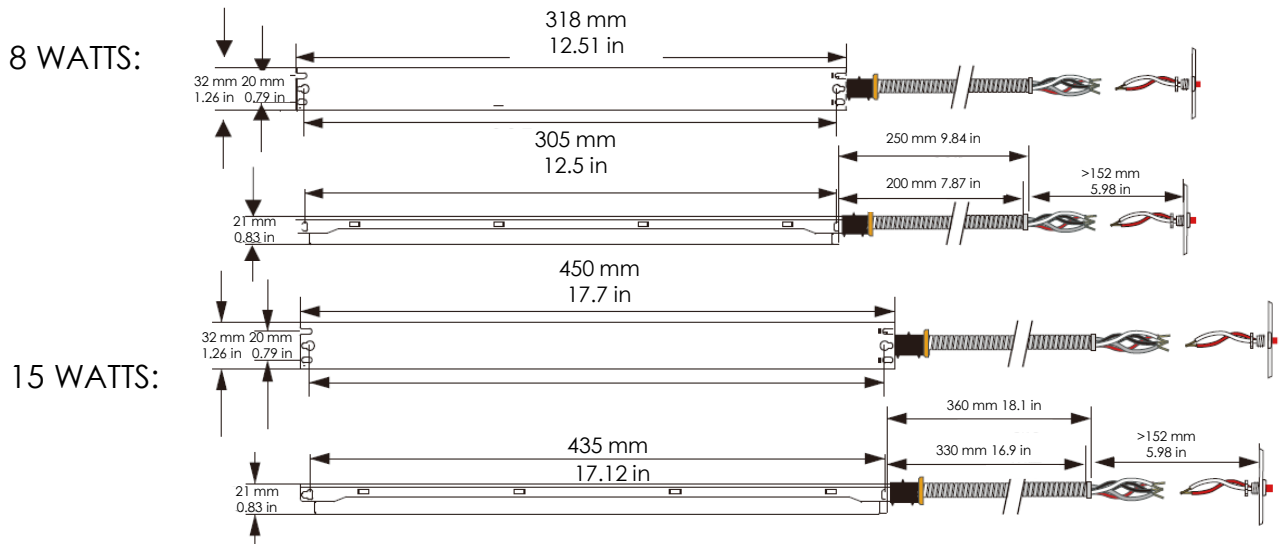
OUTPUT POWER : 15 WATTS



- Easy Wiring
- Certified For CA Title 20
- Constant Power Performance

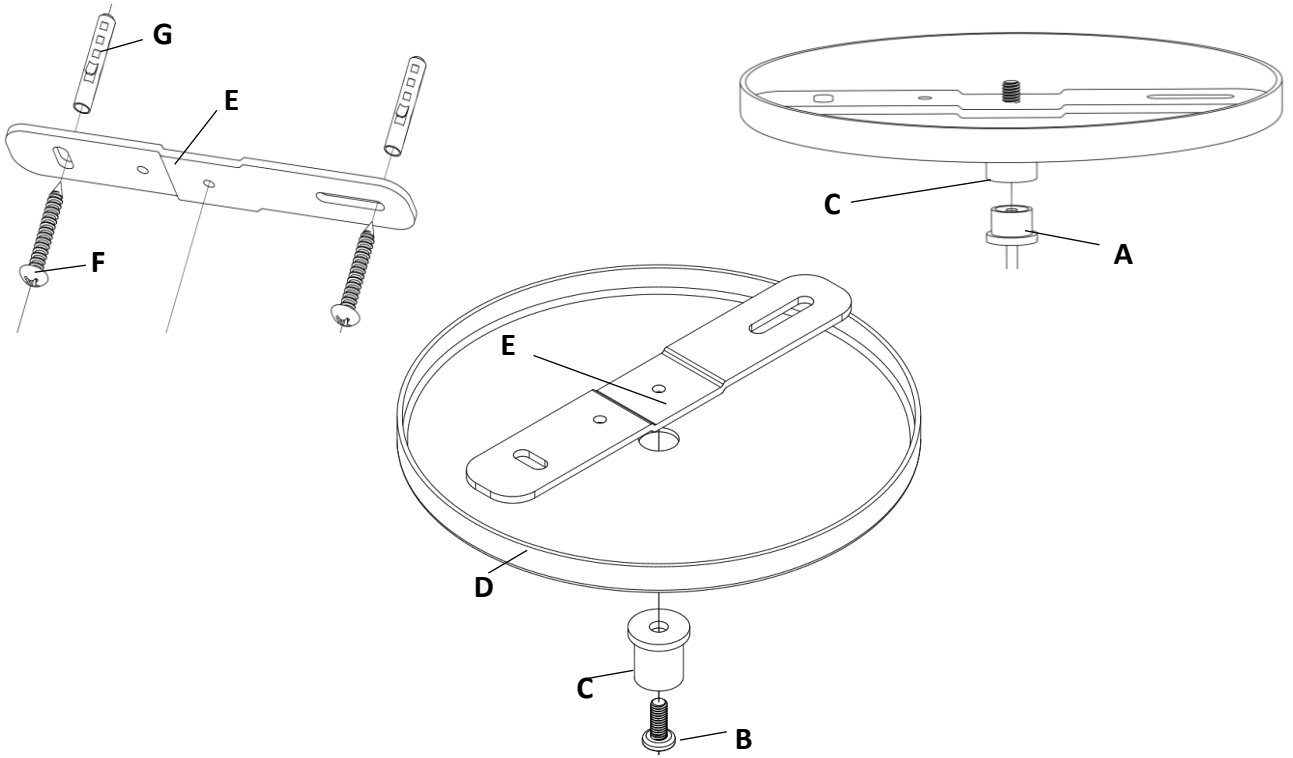
BLD-YTXXD-XXX LED Emergency Driver is UL listed for field and factory installation that allows the same LED fixture to be used for both normal and emergency operation. In the event of a power failure, the emergency driver switches to emergency mode and operates the fixture for 90 minutes. This module will operate a LED array load at 8W or 15W with constant power at a rated output voltage of 30-60 VDC. The constant power design of BLD-YTXXD-XXX maintains the output wattage to the LED array, providing consistent illumination for the entire emergency runtime. Its slim shape is ideal for use in linear LED lighting fixtures.

DIMENSIONS (inches and mm)



DATE	
PROJECT NAME	
TYPE	
QTY	
ORDERING CODE	AE-SF-G5CA

CANOPY ELITE MOUNTING STEPS



1. Screw the bracket (E) to the junction box using (F) & (G)
2. Connect the canopy to the bracket by screwing (C) & (D) to (E) using (B)
3. Connect the suspension cable to the canopy via screwing (A) to (C).

DLC MODELS

DLC MODEL	PRODUCT ID
AE-SF-SPTCA23030-35-40010YY-GB	S-CQBS3J
AE-SF-SPTCA45030-35-40010YY-GB	S-OTKXJP
AE-SF-SPTCA810030-35-40010YY-GB	S-IZ25K3

DATE	
PROJECT NAME	
TYPE	
QTY	
ORDERING CODE	AE-SF-G5CA - - - - -

LUMEN ESTIMATE

Lumen output varies based on CCT and CRI. An estimate of lumen output of the various CCT/CRI combinations, use correction factors as per table below:

LUMEN ESTIMATE ADJUSTMENT FACTORS

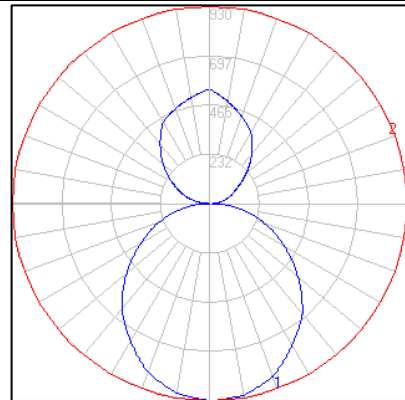
CCT	3000K	3500K	4000K	5000K
NORMAL (80CRI)	0.94	0.97	1	1.03

PHOTOMETRIC DATA

AE-SF-
SPTCA23030/3540010WH-
GB 35W 3500K
- 35 WATTS
- 3500K CCT
- 2 FT

ZONAL LUMEN SUMMARY POLAR LUMINOUS INTENSITY GRAPH

ZONE	LUMENS	% OF FIXTURE
0-20°	337.04	9.00
0-30°	709.65	19.00
0-40°	1145.54	30.60
0-60°	1978.51	52.90
0-80°	2451.51	65.60
0-90°	2423.78	67.20



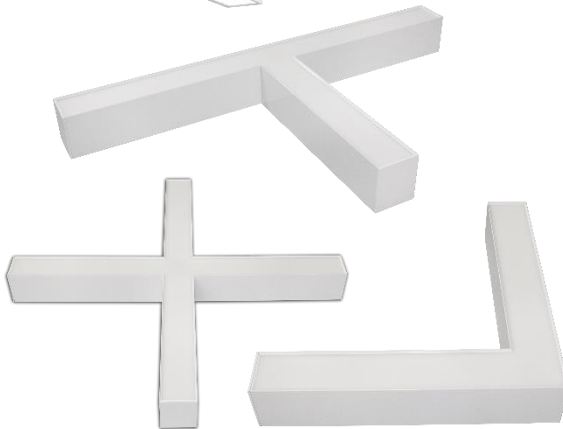
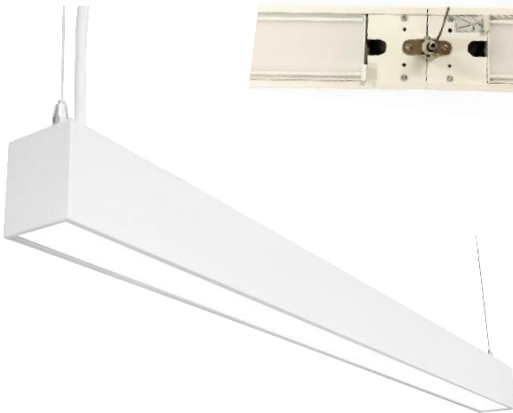
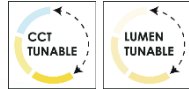
DIMMER COMPATIBILITY LIST

0-10V Dimmer
LEGRAND RH4FBL3PTC
LUTRON DVS7V-WH
LEVITON IP710-LFZ

0-10V Dimmer
EATON WBSD-010SLD
LEVITON DS710
LUTRON MS-Z101
HUBBEL LHDIRS3N

DATE	
PROJECT NAME	
TYPE	
QTY	
ORDERING CODE	AE-SF-G5CA

OVERVIEW



DIRECT AND INDIRECT LIGHT

The SPT Series provides both uplight and downlight enhancing your project space.

FINISH

ERALUX anti-glare white and black colorways reduce object glare and provide an elegant finish. Both are standard finishes.

CONTINUOUS MOUNTING

Seamless in both appearance and light emitting when joined together for continuous runs.

COLOR SELECTABLE

Easily removable fixture top exposes the DIP switch to change between 3 CCT variations from warm to cool light.

ACCESSORIES

4FT suspension cables come standard with fixture purchase. Multiple accessories such as canopy cover kits, and mounting bracket kits are available.