

# SPT

## LINEAR LED LIGHT

### Suspended Architecture Linear | 2.5" Aperture | Direct/Indirect

The SPT is a Linear Architectural LED Light, designed to deliver both direct and indirect lighting for a seamless ambiance. Featuring a selection of diffuser options—including parabolic louver, drop, and wall wash lenses. Our linear supports continuous runs, creating a unified lighting design that enhances the aesthetic of any environment. Custom designs are achievable; X-T-L shapes and honey-comb designs.

Applications: Art Galleries | Office | Retail Stores | Hospitality | Education

	DATE	QTY	ACC. QTY	TYPE
PROJECT				
PN				
ACCESSORY PN				
NOTES				

#### DYNAMIC MENU

Order Information	<a href="#">Page 2</a>
Dimensions	<a href="#">Page 5</a>
Accessories	<a href="#">Page 9</a>
Photometric Data	<a href="#">Page 13</a>

[Install Instruction link](#)

#### SPECIFICATIONS

Input Voltage	120-347V			
Power Factor	>0.9			
Total Harmonic Distortion	<20%			
Dimming <a href="#">Page 4</a>	0-10V dimming			
CRI	80 CRI			
CCT	<span>30K</span> <span>35K</span> <span>40K</span> <span>50K</span>			
Efficacy	~125 lm/W		~1550 lm/ft	
Length	2'	4'	6'	8'
Power	30W	50W	80W	100W
Ambient Temperature Range	-10°C to 40°C			
Mounting Options	<div style="border: 1px solid black; padding: 2px; display: inline-block;">Suspended</div>			
Fixture Finish	Black   White   Silver   Gun powder 			
Custom Design	X, L, T shapes Continuous runs Hexagon Shapes			
Optics	Polycarbonate   Wall Wash Lens Drop Lens   Parabolic louver			
Distribution				



#### PRODUCT FEATURES



#### PRODUCT CERTIFICATIONS



Design Lights Consortium® (DLC) qualified product. Not all versions of this product may be DLC qualified. Please check the DLC Qualified Products List at [www.designlights.org/QPL](http://www.designlights.org/QPL) to confirm which versions are qualified" [page 4](#)

#### SYSTEM WARRANTY – 5 YEARS

Eralux will warrant defective drivers, LEDs and boards for 5 years from the date of purchase. This warranty is valid only if the fixture is installed and used as per installation guides and specifications. If a defect is present, Eralux will send drivers and boards at no fee with a thorough replacement instructions along with instructions on the return of the defective parts back to Eralux.

#### LUMEN MAINTENANCE – L85 at 50,000 hours

Rated for 85% initial lumen output at 50,000 hours of operation, operated at 25°C ambient temperature; per guidelines published by the Illuminating Engineering Society (IES).

## LINEAR LED LIGHT

Suspended Architecture Linear | 2.5" Aperture | Direct/Indirect



### ORDERING GUIDE

<b>AE-SF-SPTCA</b>			<b>010</b>	
<b>AE-SF-SPTCA</b> ERALUX SPT Suspended Architectural Linear Fixture 70% Direct And 30% Indirect Distribution 120-347V input voltage	<b>2   30</b> 2ft   20/30W   Up to 3,929lm total <b>4   50</b> 4ft   30/40/50W   Up to 6,257lm total <b>6   80</b> 6ft   50/60/80W   Up to 10,012lm total <b>8   100</b> 8ft   60/80/100W   Up to 12,515lm total <b>C</b> Continuous length increment of 2ft <sup>1</sup> (Select or type the length then click on 'C')	<b>30/35/40<sup>2</sup></b> 3000/3500/4000K selectable <b>30/40/50</b> 3000/4000/5000K selectable	<b>010</b> 0-10V	<b>WH-GB</b> White <b>BK-GB</b> Black <b>SV-GB<sup>3</sup></b> Silver <b>GN-GB<sup>3</sup></b> Gun powder

Fixture Family	Length   Power		CCT	Control	Finish
<b>[BLANK]</b> No option <b>LDE1<sup>4</sup></b> Fade-to-Black down to 1% <b>EMBB<sup>5</sup></b> Emergency battery backup <b>1DIM<sup>6</sup></b> 1% Dimming	<b>[BLANK]</b> No Power cord <b>-PU</b> <b>-PU18</b> <b>-PH</b> <b>-PH18</b>	<b>[BLANK]</b> No Canopy <b>-C</b>	<b>[BLANK]</b> <b>-W18</b>	<b>[BLANK]</b> Standard polycarbonate <b>-P</b> Prime   Parabolic silver <b>-PS</b> Prime Shadow   Parabolic Black <b>-DL</b> 0.5" Drop <b>-WW</b> Wall Wash	

Option	Power Cord	Canopy	Aircraft Cable	Diffuser
<b>-PU</b>	8ft power cord 120-277V   8ft aircraft cable		<b>-PU18-W18</b>	18ft power cord 120-277V   18ft aircraft cable
<b>-PU-C</b>	8ft power cord 120-277V   8ft aircraft cable   2 pieces of 5-inch canopies		<b>-PU18-C-W18</b>	18ft power cord 120-277V   18ft aircraft cable   2 pieces of 5-inch canopies
<b>-PH</b>	8ft power cord 120-347V   8ft suspension wires		<b>-PH18-W18</b>	18ft power cord 120-347V   18ft suspension wires
<b>-PH-C</b>	8ft power cord 120-347V   8ft aircraft cable   2 pieces of 5-inch canopies		<b>-PH18-C-W18</b>	18ft power cord 120-347V   18ft aircraft cable   2 pieces of 5-inch canopies

#### NOTES

- For increment of 1ft, contact factory
- Default CCT setting is 3500K but can be changed upon request before shipping.
- Only available with Polycarbonate diffusers
- LDE1 is a Lutron Hi-lume EcoSystem driver with Soft-on, it requires color selection if not the default CCT, 3500K.
- EMBB option available in 120-277V only.
- 1DIM available only in 120-277V, it works for 4,5,6,8 FT

#### CAUTION:

- If there are multiple fixtures connected to the same 0-10V dimming line, a 0-10V controller must be considered to enable consistent dimming across the fixtures. Failure to do so will lead to inconsistent dimming and behaviors in the fixtures. Single switch is not recommended for controlling multiple fixtures simultaneously.
- Maximum of 300W per electrical drop.

## LINEAR LED LIGHT

Suspended Architecture Linear | 2.5" Aperture | Direct/Indirect

### ORDERING GUIDE – CUSTOM DESIGN

<b>AE-SF-SPT-</b>						
<b>AE-SF-SPT-</b> ERALUX SPT Suspended Architectural Linear Fixture	Specify dimension of S1 (Select or type the length)	Specify dimension of S2 (Select or type the length)	<b>-R</b> Rectangular shape <b>-L</b> L-shape <b>-T</b> T-shape <b>-X</b> X-shape <b>-HEX</b> Hexagonal-shape Increment of 2ft	<b>30/35/40<sup>1</sup></b> 3000/3500/4000K selectable <b>30/40/50</b> 3000/4000/5000K selectable	<b>-010</b> 0-10V	<b>WH-GB</b> White <b>BK-GB</b> Black

Fixture Family	Side 1	Side 2	Design	CCT	Controls	Finish
<b>Rectangle</b>			<b>X - Shape</b>	<b>L - Shape</b>	<b>T - Shape</b>	<b>Hexagon</b>
For square, S1 equal to S2. S1 & S2 ≥ 2FT			Symmetrical sides	For equal sides, S1 equal to S2.	Symmetrical side	For Hexagon, All sides are equal to S1 ≥ 2FT

#### NOTES

- Only available with Polycarbonate lens diffusers
- For more complex designs, contact factory
- The precise dimensions will be provided by factory upon request or refer to the dimensions in page 6.

### ORDERING GUIDE – TRIAC Dimming

<b>AE-SF-SPTCA</b>			<b>-TRI</b>	
ERALUX SPT Linear Architectural Fixture	<b>2   15</b> 2ft   20W   3,150lm <b>4   40</b> 4ft   40W   5,250lm <b>8   80</b> 6ft   50W   10,500lm	<b>30</b> 3000K <b>35</b> 3500K <b>40</b> 4000K	<b>-TRI</b> TRIAC Dimming	<b>-WH</b> White <b>-BK</b> Black
<b>Fixture Family</b>	<b>Length   Power</b>	<b>CCT</b>	<b>Controls</b>	<b>Finish</b>

#### CAUTION:

- If there are multiple fixtures connected to the same 0-10V dimming line, a 0-10V controller must be considered to enable consistent dimming across the fixtures. Failure to do so will lead to inconsistent dimming and behaviors in the fixtures. Single switch is not recommended for controlling multiple fixtures simultaneously.
- Maximum of 300W per electrical drop.

## LINEAR LED LIGHT

Suspended Architecture Linear | 2.5" Aperture | Direct/Indirect

### LUMEN OUTPUT

LENGTH	EFFICACY	OUTPUT POWER	DIRECT OUTPUT	INDIRECT OUTPUT	
2FT	Avg ~125 lm/W ~1550 lm/ft	20/30 watts switchable	20W   2500 lm	14W   1750 lm	6W   750 lm
			30W   3750 lm	21W   2625 lm	9W   1125 lm
4FT		30/40/50 watts switchable	30W   3750 lm	21W   2625 lm	9W   1125 lm
			40W   5000 lm	28W   3500 lm	12W   1500 lm
			50W   6250 lm	35W   4375 lm	15W   1875 lm
6FT		50/60/70 watts switchable	50W   6250 lm	35W   4375 lm	15W   1875 lm
			60W   7500 lm	42W   5250 lm	18W   2250 lm
			80W   10000 lm	56W   7000 lm	24W   3000 lm
8FT		70/85/100 watts switchable	60W   7500 lm	42W   5250 lm	18W   2250 lm
			80W   10000 lm	56W   7000 lm	24W   3000 lm
			100W   12500 lm	70W   8750 lm	30W   3750 lm

### DLC MODEL

DLC MODEL	PRODUCT ID
AE-SF-SPTCA23030-35-40010YY-GB	S-CQBS3J
AE-SF-SPTCA45030-35-40010YY-GB	S-OTKXJP
AE-SF-SPTCA810030-35-40010YY-GB	S-IZ25K3

### DIMMER COMPATIBILITY LIST

0-10V Dimming

BRAND	MODEL	BRAND	MODEL
LEVITON	IP710-LFZ	LEGRAND	RH4FBL3PTC
	DS710	EATON	WBSD-010SLD
LUTRON	DVS7V-WH	HUBBLE	LHDIRS3N
	MS-Z101		

## LINEAR LED LIGHT

Suspended Architecture Linear | 2.5" Aperture | Direct/Indirect

### DIMENSIONS

#### Fixture

SIZE	TOP/BOTTOM VIEW	SIDE VIEW
2FT	<p>17.17 in</p> <p>2.45 in</p> <p>23.86 in</p>	<p>3.15"</p> <p>2.76"</p>
	<p>23.86 in</p>	
4FT	<p>40.79 in</p>	
	<p>47.48 in</p>	
6FT	<p>64.41 in</p>	
	<p>71.10 in</p>	
8FT	<p>88.01 in</p>	
	<p>94.72 in</p>	

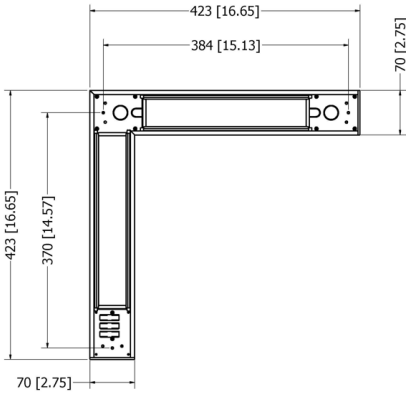
## LINEAR LED LIGHT

Suspended Architecture Linear | 2.5" Aperture | Direct/Indirect

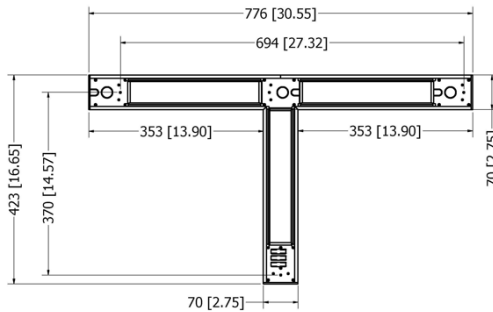
### DIMENSIONS Custom Design

#### SHAPES

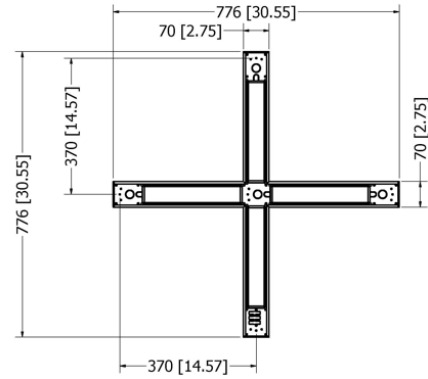
**L-SHAPE**  
AE-SF-SPT-1-1-L



**T-SHAPE**  
AE-SF-SPT-1-1-T

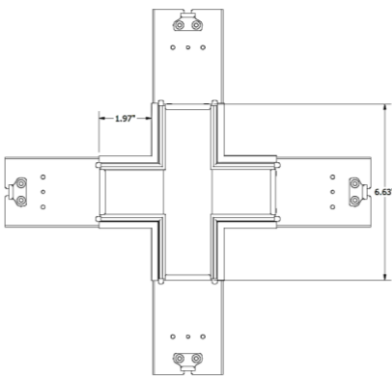


**X-SHAPE**  
AE-SF-SPT-1-1-X

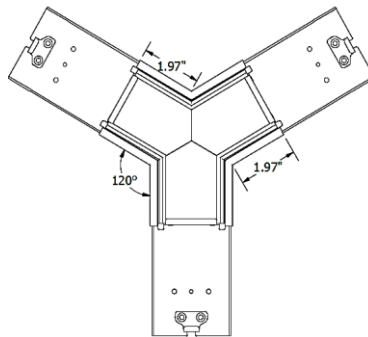


#### LIT JOINERS

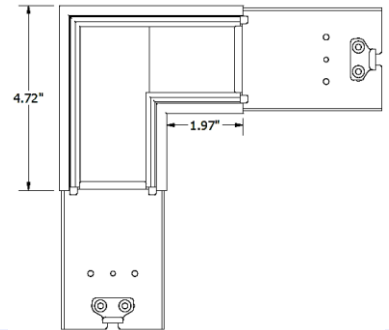
**X-JOINER**



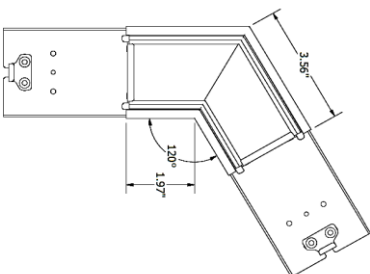
**Y-JOINER**



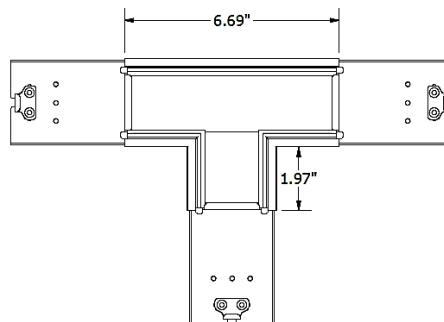
**L-JOINER**



**V-JOINER**



**T-JOINER**



## LINEAR LED LIGHT

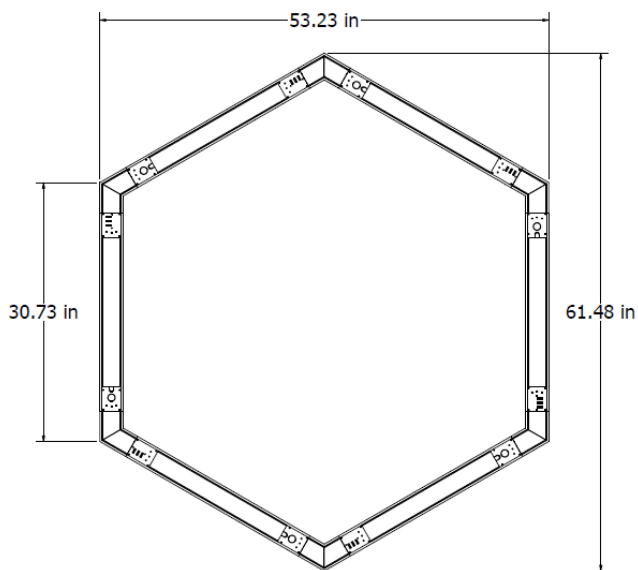
Suspended Architecture Linear | 2.5" Aperture | Direct/Indirect

### DIMENSIONS

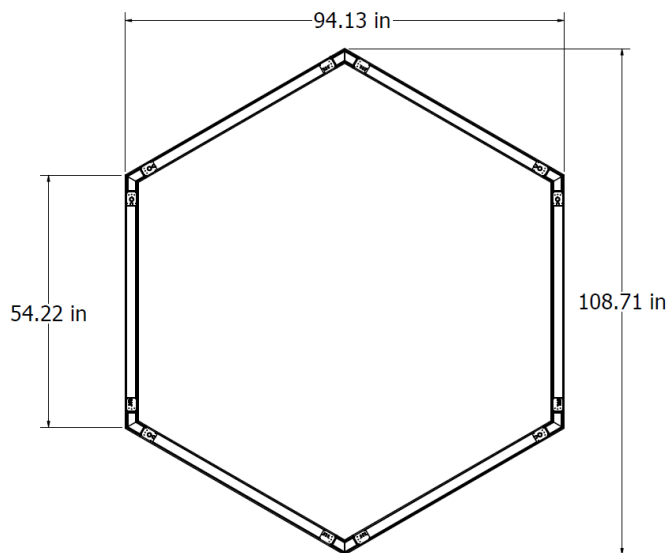
#### Hexagon shapes

### Hexagon Dimensions

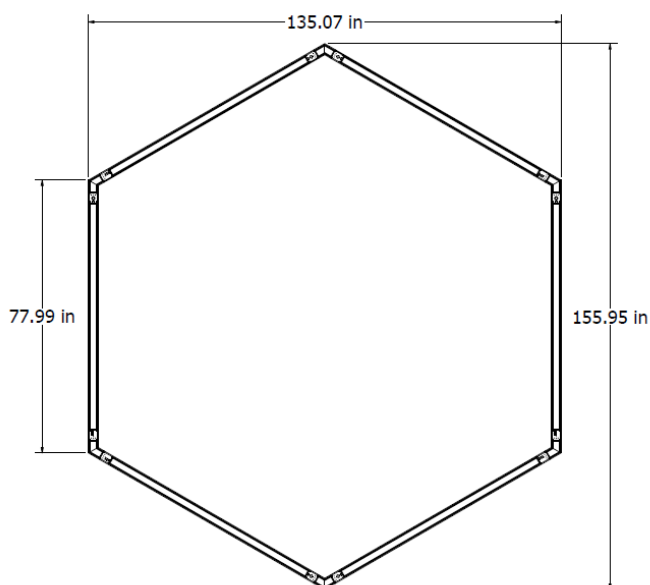
**2 FT**



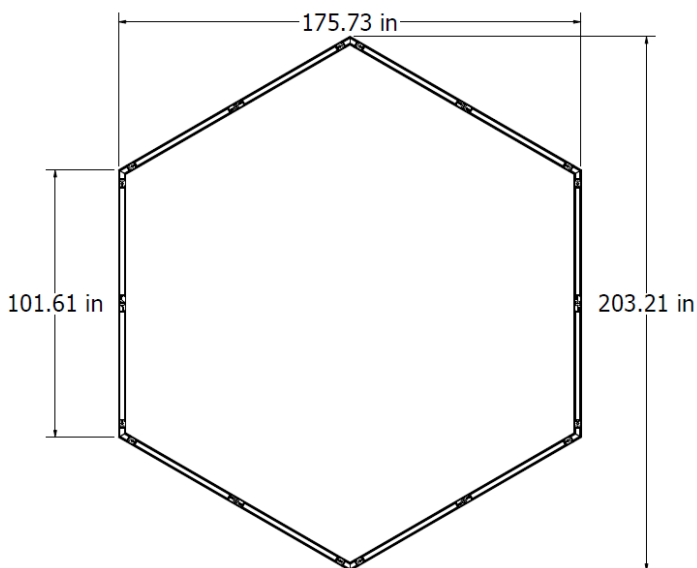
**4 FT**



**6 FT**



**8 FT**



## LINEAR LED LIGHT

Suspended Architecture Linear | 2.5" Aperture | Direct/Indirect

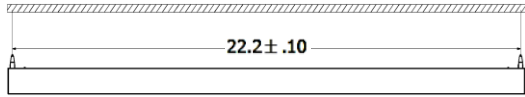
### DRILLING PATTERN

SIZE

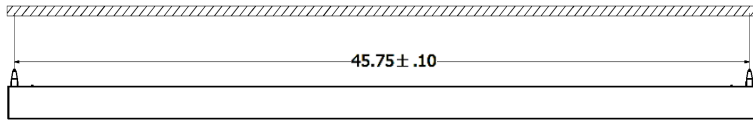


STAND ALONE INSTALLATION

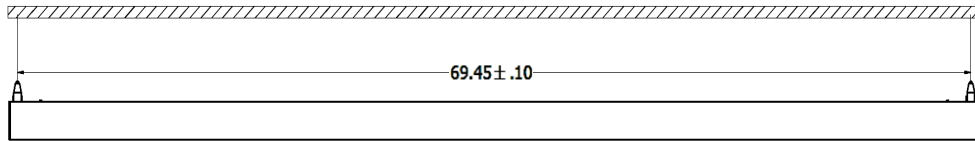
2FT



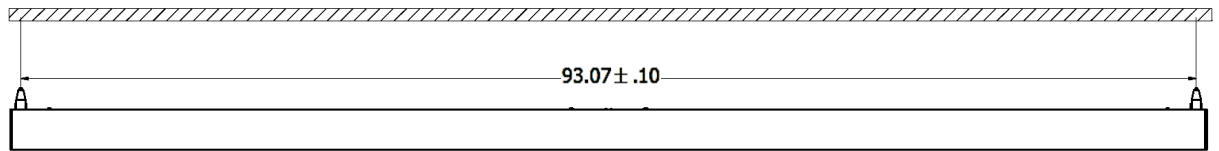
4FT



6FT



8FT

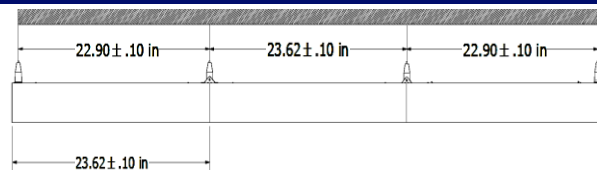


SIZE

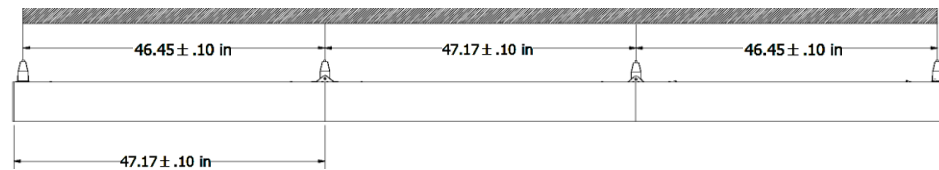


CONTINUOUS RUN INSTALLATION

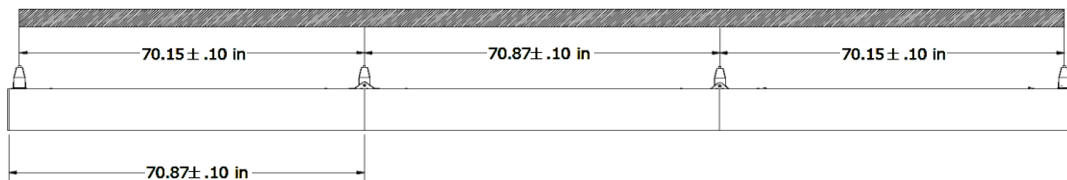
2FT



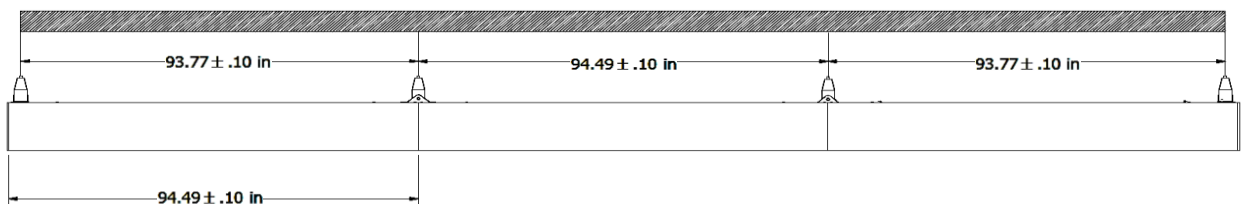
4FT



6FT



8FT





## LINEAR LED LIGHT

Suspended Architecture Linear | 2.5" Aperture | Direct/Indirect

### ACCESSORIES FOR SUSPENDED

Ordered separately if needed

#### POWER CORD

ORDER CODE	DESCRIPTION	PICTURE
AE-SF-PWRCORD-WH AE-SF-PWRCORD-BK	8' white / black power cord with 120-277V input voltage	
AE-SF-PWRCORD-WH-18FT AE-SF-PWRCORD-BK-18FT	18' white / black power cord with 120-277V input voltage	
AE-SF-PWRCORD-HV-WH AE-SF-PWRCORD-HV-BK	8' white / black power cord with 120-347V input voltage	
AE-SF-PWRCORD-WH-18FT AE-SF-PWRCORD-BK-18FT	18' white / black power cord with 120-277V input voltage	

#### CANOPY

ORDER CODE	DESCRIPTION	PICTURE
AE-SF-CANOPY-WH-5IN AE-SF-CANOPY-BK-5IN	2 pieces per set   white / black   5" canopy 0.8" thickness One for power cord/aircraft cable and one for aircraft cable	
AE-SF-CANOPY-WH-5IN-SUSP AE-SF-CANOPY-BK-5IN-SUSP	1 piece   white / black 5" canopy 0.8" thickness for aircraft cable	
AE-SF-CANOPY-WH-ELITE AE-SF-CANOPY-BK-ELITE	2 pieces per set   white / black 5" canopy 0.3" thickness One for power cord/aircraft cable and one for aircraft cable	

#### AIRCRAFT CABLE

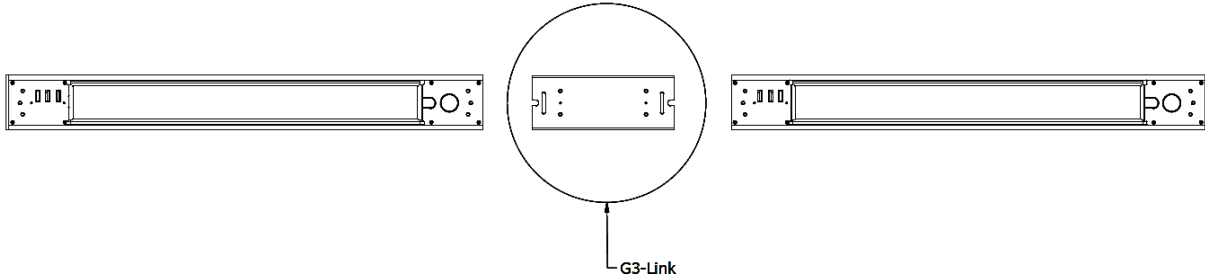
ORDER CODE	DESCRIPTION	PICTURE
AE-SF-G5/SPT-WIRE-8FT	8ft aircraft cable   2 pieces per set   1 set / fixture	
AE-SF-G5/SPT-WIRE-18FT	18ft aircraft cable   2 pieces per set   1 set / fixture	

## LINEAR LED LIGHT

Suspended Architecture Linear | 2.5" Aperture | Direct/Indirect

### ACCESSORIES

For Continuous Run



#### G3-LINK

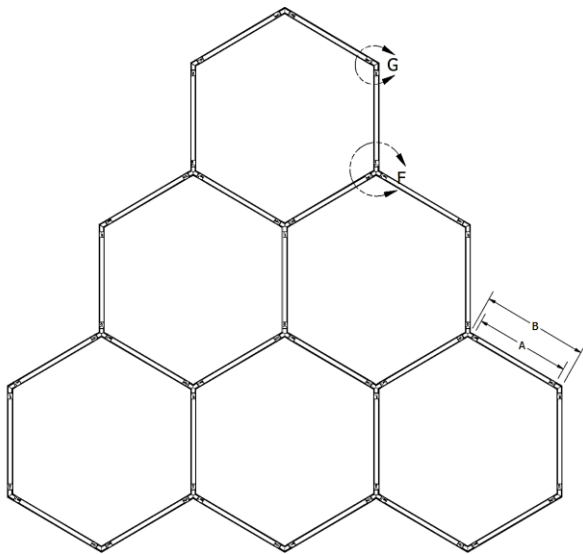
##### ORDER CODE

**AE-SF-G3-LINK**

##### DESCRIPTION

Seamless mechanical connection for continuous runs  
Preventing Light Leakage  
Easy installation

For Honeycomb Design | Lit Joiners

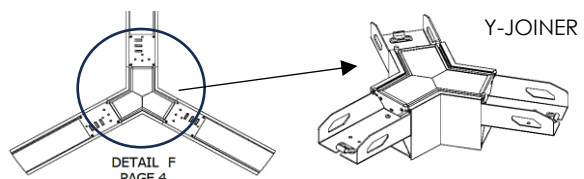
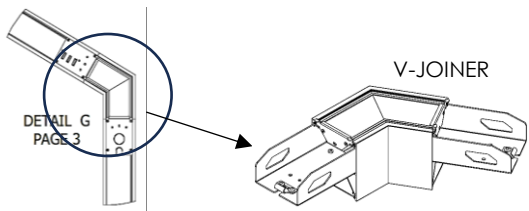


#### LIT JOINERS

##### ORDER CODE

##### DESCRIPTION

Family	Shape	CCT	Finish	
AE-SF-SPT/G5	-V	-30/35/40	-LJ-KIT-WH	Seamless mechanical connection
	-X			for custom designs
	-T	-30/40/50	-LJ-KIT-BK	Preventing Light Leakage
	-L			Easy installation



## LINEAR LED LIGHT

Suspended Architecture Linear | 2.5" Aperture | Direct/Indirect

### DIFFUSER OPTIONS

#### Drop Lens

Code	Description	Pictures
<b>AE-SF-G5/SPT-Drop Lens-0.5 inch-XFT-WH</b> <b>AE-SF-G5/SPT-Drop Lens-0.5 inch-XFT-BK</b>  (X=2, 4, 6 or 8)	Highly durable frosted polycarbonate lens provide a side glowing with crisp corners visible at distance. This drop lens gives a 3D look to the light that will enliven your space and adding wider spread to the surrounding. The drop lens is available for all continuous sizes; 2FT, 4FT, 6FT, and 8FT. And for white and black finishes. 23% lumens less.	

#### Wall Wash Lens

Code	Description	Pictures
<b>AE-SF-G5/SPT-XFT-WW-KIT-WH</b> <b>AE-SF-G5/SPT-XFT-WW-KIT-BK</b>  (X=2, 4, 5, 6 or 8)	The wall washing is a feature where the luminaire is typically positioned at least 12" from the wall to enhance the smoothness of a wall by eliminating shadows or to highlight a wall to create visual interest. The wall wash lens is available for all continuous sizes; 2FT, 4FT, 5FT, 6FT, and 8FT. And for white and black finishes.	

#### Prime lens

Description	Pictures
The Prime features a parabolic silver louver that offers outstanding light shielding and an attractive, crisp visual texture. Its parabolic blade design, along with side reflectors, effectively directs light, enhancing brightness and efficiency in lighting applications. The prime delivers a modern, sleek look, making them suitable for contemporary spaces. Efficacy ~90Lm/W & UGR <15 Prime is available for all continuous sizes; 2FT, 4FT, 6FT, and 8FT. And for white and black finishes.	

#### Prime Shadow lens

Description	Pictures
The Prime Shadow features a parabolic black louver that offers outstanding light shielding and an attractive, crisp visual texture. Its black parabolic blade design, along with side reflectors, effectively reduce glare by absorbing more light. Black louvers can create a more dramatic or industrial aesthetic, fitting well in specific design contexts. Efficacy ~55Lm/W & UGR <15 Prime shadow is available for all continuous sizes; 2FT, 4FT, 6FT, and 8FT. And for white and black finishes.	

## LINEAR LED LIGHT

Suspended Architecture Linear | 2.5" Aperture | Direct/Indirect

### CONTROLS

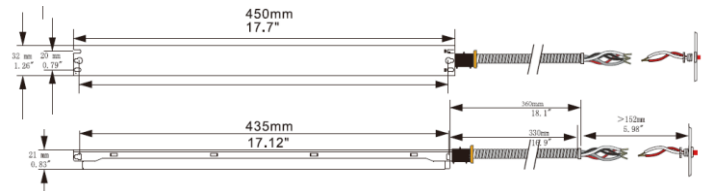
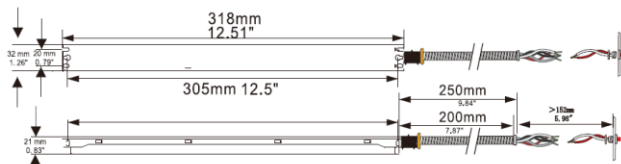
#### EMERGENCY LED DRIVER (BLD-YTXXD-XXX)

BLD-YT08D-XXX

BLD-YT15D-XXX



The BLD-YTXXD-XXX series LED Emergency Driver is UL listed for field and factory installations. It switches to emergency mode during power failures, providing up to 90 minutes of lighting. With an integrated battery, charger, and converter, it delivers 8 or 15W constant power at 30-60VDC. Its slim shape is ideal for use in linear LED lighting fixtures.



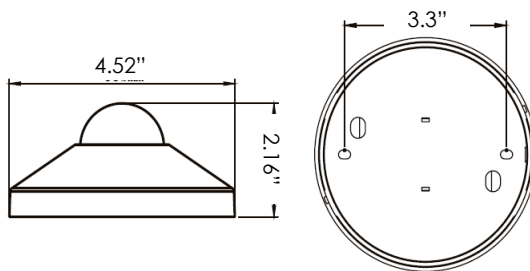
SPECIFICATIONS	
Input Voltage	100-347Vac
Power Frequency	50/60HZ
Output Voltage	30-60VDC
Output Power	8W   15W
Ambient Temperature	0°C to 50°C
	30°F to 122°F
Installation	Integrated

#### ROOM OCCUPANCY SENSOR

Ordered separately, field installed

PART NUMBER	DESCRIPTION
AE-CT-DT806	Detecta - Room Occupancy Sensor
RC102	RC102 Remote Control

SPECIFICATIONS	
Input Voltage	120-277 Vac
Power Frequency	50/60HZ
Rated Load	At 120 Vac 800W
	At 277 Vac 1200W
Detection Range	3-10 Meters
	9.8- 32.8 Feet
Standby Power	~0.9W
Time Setting	10 sec to 30 min
Light Control	10-2,000LUX
Installation	Ceiling Mounted



## LINEAR LED LIGHT

Suspended Architecture Linear | 2.5" Aperture | Direct/Indirect

### LUMEN ESTIMATE

Lumen output varies based on CCT and CRI. An estimate of lumen output of the various CCT/CRI combinations, use correction factors as per table below:

#### LUMEN ESTIMATE ADJUSTMENT FACTORS

CCT	3000K	3500K	4000K	5000K
PREMIUM (90CRI)	0.94	0.97	1	1.03

### PHOTOMETRIC DATA

PART NUMBER		ZONAL LUMEN SUMMARY			POLAR LUMINOUS INTENSITY	CONE DISTRIBUTION			
AE-SF-SPTCA23030/35/40010		Zone	Lumens	% Fixture	Direct / Indirect Light	Center Beam Fc		Beam Width	
Wattage	30W	0-20°	342.94	8.6		1.7ft	328 fc	4.7 ft	4.5 ft
CCT	4000K	0-30°	721.35	18.1		3.3ft	87.1 fc	9.2 ft	8.8 ft
Distribution	120°	0-40°	1165.69	29.3		5.0ft	37.9 fc	13.9 ft	13.4 ft
Length	2ft	0-60°	2008.67	50.4		6.7ft	21.1 fc	18.6 ft	17.9 ft
		0-80°	2477.47	62.2		8.3ft	13.8 fc	23.1 ft	22.2 ft
		0-90°	2585.29	64.9	10.0ft	9.48 fc	27.8 ft	26.8 ft	
						■ Vert. Spread: 108.6° ■ Horiz. Spread: 106.4°			
AE-SF-SPTCA45030/35/40010		Zone	Lumens	% Fixture	Direct / Indirect Light	Center Beam Fc		Beam Width	
Wattage	50W	0-20°	595.68	9.3		1.7ft	569 fc	4.8 ft	4.6 ft
CCT	4000K	0-30°	1254	19.5		3.3ft	151 fc	9.3 ft	8.9 ft
Distribution	120°	0-40°	2030.56	31.6		5.0ft	65.8 fc	14.2 ft	13.5 ft
Length	4ft	0-60°	3528.07	54.9		6.7ft	36.6 fc	19.0 ft	18.0 ft
		0-80°	4370.63	68		8.3ft	23.9 fc	23.5 ft	22.3 ft
		0-90°	4472.68	69.6	10.0ft	16.4 fc	28.3 ft	26.9 ft	
						■ Vert. Spread: 109.5° ■ Horiz. Spread: 106.7°			
AE-SF-SPTCA68030/35/40010		Zone	Lumens	% Fixture	Direct / Indirect Light	Center Beam Fc		Beam Width	
Wattage	80W	0-20°	953.1	9.3		1.7ft	910 fc	4.8 ft	4.6 ft
CCT	4000K	0-30°	2006.4	19.5		3.3ft	242 fc	9.3 ft	8.9 ft
Distribution	120°	0-40°	3248.89	31.6		5.0ft	105 fc	14.2 ft	13.5 ft
Length	6ft	0-60°	5644.91	54.9		6.7ft	58.6 fc	19.0 ft	18.0 ft
		0-80°	6993.01	68		8.3ft	38.2 fc	23.5 ft	22.3 ft
		0-90°	7156.29	69.6	10.0ft	26.3 fc	28.3 ft	26.9 ft	
						■ Vert. Spread: 109.5° ■ Horiz. Spread: 106.7°			
AE-SF-SPTCA810030/35/40010		Zone	Lumens	% Fixture	Direct / Indirect Light	Center Beam Fc		Beam Width	
Wattage	100W	0-20°	1191.37	9.3		1.7ft	1138 fc	4.8 ft	4.6 ft
CCT	4000K	0-30°	2507.99	19.5		3.3ft	302 fc	9.3 ft	8.9 ft
Distribution	120°	0-40°	4061.11	31.6		5.0ft	132 fc	14.2 ft	13.5 ft
Length	8ft	0-60°	7056.14	54.9		6.7ft	73.2 fc	19.0 ft	18.0 ft
		0-80°	8741.27	68		8.3ft	47.7 fc	23.5 ft	22.3 ft
		0-90°	8945.36	69.6	10.0ft	32.9 fc	28.3 ft	26.9 ft	
						■ Vert. Spread: 109.5° ■ Horiz. Spread: 106.7°			

## LINEAR LED LIGHT

Suspended Architecture Linear | 2.5" Aperture | Direct/Indirect

### PHOTOMETRIC DATA - DIFFUSER

PART NUMBER		ZONAL LUMEN SUMMARY			POLAR LUMINOUS INTENSITY	CONE DISTRIBUTION			
AE-SF-G5CA44030/35/40X-DL		Zone	Lumens	% Fixture	Direct / Indirect Light	Center Beam Fc		Beam Width	
Wattage	40W	0-20°	420.45	11.9		2.5ft	186 fc	6.5 ft	7.2 ft
CCT	4000K	0-30°	882.52	24.9		5.0ft	46.6 fc	12.9 ft	14.5 ft
Distribution	120°	0-40°	1428.38	40.4		7.5ft	20.7 fc	19.4 ft	21.7 ft
Length	4ft	0-60°	2493.86	70.5		10.0ft	11.6 fc	25.8 ft	28.9 ft
<b>DROP LENS</b>		0-80°	3150.06	89		12.5ft	7.45 fc	32.3 ft	36.2 ft
		0-90°	3267.17	92.3		15.0ft	5.17 fc	38.7 ft	43.4 ft
						<span style="color:blue">■</span> Vert. Spread: 104.5° <span style="color:red">■</span> Horiz. Spread: 110.7°			

PART NUMBER		ZONAL LUMEN SUMMARY			POLAR LUMINOUS INTENSITY	CONE DISTRIBUTION			
AE-SF-G5CA45030/35/40X-WW		Zone	Lumens	% Fixture	Direct / Indirect Light	Center Beam Fc		Beam Width	
Wattage	50W	0-20°	931.99	13.4		2.5ft	347 fc	3.5 ft	1.4 ft
CCT	4000K	0-30°	2174.46	31.3		5.0ft	86.8 fc	6.9 ft	2.8 ft
Distribution	120°	0-40°	3457.33	49.8		7.5ft	38.6 fc	10.4 ft	4.1 ft
Length	4ft	0-60°	4537.37	65.3		10.0ft	21.7 fc	13.9 ft	5.5 ft
<b>WALL WASH LENS</b>		0-80°	4827.69	69.5		12.5ft	13.9 fc	17.3 ft	6.9 ft
		0-90°	4850.9	69.8		15.0ft	9.65 fc	20.8 ft	8.3 ft
						<span style="color:blue">■</span> Vert. Spread: 69.5° <span style="color:red">■</span> Horiz. Spread: 30.9°			

PART NUMBER		ZONAL LUMEN SUMMARY			POLAR LUMINOUS INTENSITY	CONE DISTRIBUTION			
AE-SF-G5CA44030/35/40X-P		Zone	Lumens	% Fixture	Direct / Indirect Light	Center Beam Fc		Beam Width	
Wattage	40W	0-20°	967.59	27.6		2.5ft	178 fc	7.2 ft	6.9 ft
CCT	4000K	0-30°	1905.45	54.4		5.0ft	44.5 fc	14.4 ft	13.8 ft
Distribution	120°	0-40°	2736.19	78.2		7.5ft	19.8 fc	21.7 ft	20.7 ft
Length	4ft	0-60°	3454.72	98.7		10.0ft	11.1 fc	28.9 ft	27.6 ft
<b>PRIME</b>		0-80°	3483.38	99.5		12.5ft	7.11 fc	36.1 ft	34.5 ft
		0-90°	3485.56	99.6		15.0ft	4.94 fc	43.3 ft	41.5 ft
						<span style="color:blue">■</span> Vert. Spread: 110.6° <span style="color:red">■</span> Horiz. Spread: 108.2°			

PART NUMBER		ZONAL LUMEN SUMMARY			POLAR LUMINOUS INTENSITY	CONE DISTRIBUTION			
AE-SF-G5CA44030/35/40X-PS		Zone	Lumens	% Fixture	Direct / Indirect Light	Center Beam Fc		Beam Width	
Wattage	40W	0-20	523.96	23.4		2.5ft	233 fc	3.1 ft	5.1 ft
CCT	4000K	0-30	1069.19	47.8		5.0ft	58.4 fc	6.3 ft	10.3 ft
Distribution	120°	0-40	1601.34	71.6		7.5ft	25.9 fc	9.4 ft	15.4 ft
Length	4ft	0-60	2178.89	97.4		10.0ft	14.6 fc	12.5 ft	20.5 ft
<b>PRIME SHADOW</b>		0-80	2230.17	99.7		12.5ft	9.34 fc	15.6 ft	25.6 ft
		0-90	2231.01	99.8		15.0ft	6.49 fc	18.8 ft	30.8 ft
						<span style="color:blue">■</span> Vert. Spread: 64.0° <span style="color:red">■</span> Horiz. Spread: 91.5°			

## LINEAR LED LIGHT

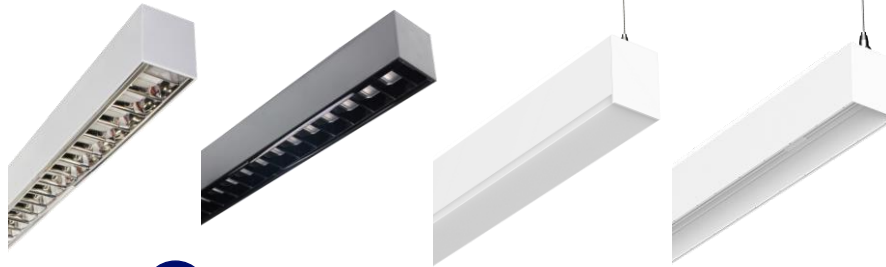
Suspended Architecture Linear | 2.5" Aperture | Direct/Indirect

### OVERVIEW



#### Innovative Design

- Extruded aluminum housing for better heat dissipation.
- Highly durable polycarbonate and high transmittance lens.



#### Diffusers

- Polycarbonate lens
- Wall-wash lens
- 0.5-inch drop lens
- Black/silver parabolic louver



#### Distribution

- 70% Direct & 30% Indirect light.
- 120° beam angle.



#### Multiple Options

- Four standard length available; 2, 4, 6, & 8ft.
- Three CCT switchable and power tunable options.
- Black, white, silver & gun powder finishes.



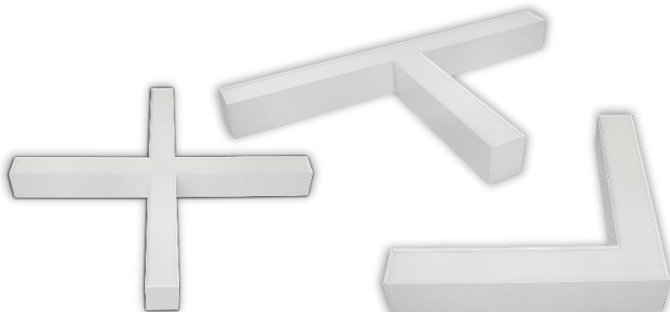
#### Mountings Available

- Suspended.
- Wall mount (refer to the wall-mount spec sheet)



#### Custom Design

- Continuous lens; increment of 2'
- L, T, X, & rectangular shapes
- Honeycomb design using Lit joiners



#### Features

- 1% dimming option
- Lutron Hi-lume Ecosystem driver with Soft-on



#### Tests And Certifications

