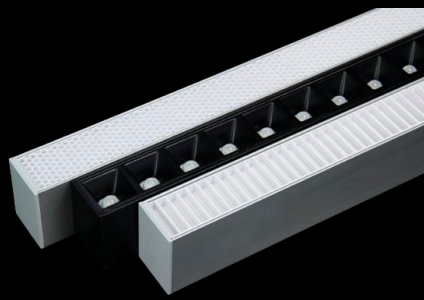


LX SERIES

LINEAR FIXTURES

Linear Architectural Lighting



The LX Series is a CCT/POWER SWITCHABLE DOWNLIGHT LINEAR that comes in several sizes to fit any project. Other than the power and size flexibility ; it can be mounted in any position based on any request (recessed Gypse / Ceiling / Suspended). Finally, our new LX Series comes with several lenses adding an aesthetic look to the surrounding . All of your requests are fulfilled with our LX SERIES.

eralux®



DATE	
PROJECT NAME	
TYPE	
QTY	
ORDERING CODE	AE-SF-LX- - - -D - - -

OPERATING & ELECTRICAL

INPUT VOLTAGE	120-277V
POWER FACTOR	0.9
DIMMING	0-10V
TOTAL HARMONIC DISTORTION(THD)	<20%

PERFORMANCE

LUMENS PER WATT	85-90 LPW at 90CRI
Beam Angle	108°, 80°, 65°

MECHANICAL & HOUSING

HOUSING	Aluminum 6063-T5
LENS	Highly durable polycarbonate and high transmittance lens
FINISH	Black, White, Silver
POWER SUPPLY	Factory wired electronic LED driver
LED BOARD	Discrete Led

APPLICATION CONDITION

OPREATING TEMPERATURE	-20 °C to 45°C
STORAGE TEMPERATURE	-40 °C to 60°C
PROTECTION	IP40

COMPATIBLE MOUNTING

MOUNTING	Suspended Recessed - Gypse
----------	-------------------------------

WARRANTY

SYSTEM WARRANTY – 5 YEARS

Eralux will warrant defective drivers, LEDs and boards for 5 years from the date of purchase. This warranty is valid only if the fixture is installed and used as per installation guides and specifications. If a defect is present, Eralux will send drivers and boards at no fee with a thorough replacement instructions along with instructions on the return of the defective parts back to Eralux.

LUMEN MAINTENANCE – L80 at 50,000 hours

Rated for 80% initial lumen output at 50,000 hours of operation, operated at 25°C ambient temperature; per guidelines published by the Illuminating Engineering Society (IES)

DATE	
PROJECT NAME	
TYPE	
QTY	
ORDERING CODE	AE-SF-LX- - - -D - -

UGR LENS ORDERING GUIDE

EXAMPLE: AE-SF-LX-4-31-30/35/40-D-WH-UGR-AIR

FIXTURE FAMILY	LENGTH	POWER	CCT	CONTROLS	FINISH	LENS	MOUNTING
AE-SF-LX	-	-	-	-D	-	-	-
AE-SF-LX LX Series linear	-4 4 feet linear fixture	-31 Power Selectable 21/26/31W	-30/35/40 3000/3500/4000K selectable CCT	-D 0-10V Dimming	-WH White	-UGR Prismatic Diffuser	-[LEAVE BLANK] Standard
	-6 6 feet linear fixture	-46 Power Selectable 36/41/46W					-RMB Recessed Mount Bracket
	-8 8 feet linear fixture	-61 Power Selectable 51/56/61W					-AIR Suspended Linear** Stand alone fixture

** AIR comes with suspension kit (2 canopy/ power cord/ /2 suspension wires) ; standalone fixture.

*** For continuous runs ; Links and one-hole canopies are ordered separately.



Beam Angle : 108°

eralux® LX SERIES

LINEAR FIXTURES

Linear Architectural Lighting

DATE	
PROJECT NAME	
TYPE	
QTY	
ORDERING CODE	AE-SF-LX- - - -D - - -

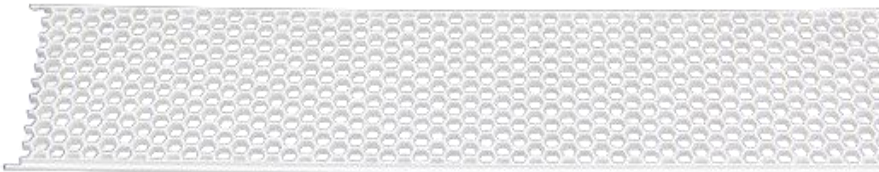
HEXCEL LENS ORDERING GUIDE

EXAMPLE: AE-SF-LX-4-31-30-D-WH-HX-AIR

FIXTURE FAMILY	LENGTH	POWER	CCT	CONTROLS	FINISH	LENS	MOUNTING
AE-SF-LX	-	-	-	-D	-	-	-
AE-SF-LX LX Series linear	-4 4 feet linear fixture	-31 31 WATTS : 1,408 lms @3500K	-30 3000K CCT	-D 0-10V Dimming	-WH White	-HX Honeycomb Lens	-[LEAVE BLANK] Standard
	-6 6 feet linear fixture	-46 46 WATTS : 2,089 lms @3500K	-35 3500K CCT		-BK Black		-AIR Suspended Linear ** Standalone
	-8 8 feet linear fixture	-61 61 WATTS : 2,771 lms @3500K	-40 4000K CCT		-SV Silver		-RMB Recessed Mount Bracket

** AIR comes with suspension kit (2 canopy/ power cord/ /2 suspension wires) ; standalone fixture.

*** For continuous runs ; Links and one-hole canopies are ordered separately.



Beam Angle : 80°

eralux® LX SERIES

LINEAR FIXTURES

Linear Architectural Lighting

DATE	
PROJECT NAME	
TYPE	
QTY	
ORDERING CODE	AE-SF-LX- - - -D - - -

OPTICAL LENS ORDERING GUIDE

EXAMPLE:AE-SF-LX-4-34-30-D-WH-OPL-AIR

FIXTURE FAMILY	LENGTH	POWER	CCT	CONTROLS	FINISH	LENS	MOUNTING
AE-SF-LX	-	-	-	-D	-	-	-
AE-SF-LX LX Series linear	-4 4 feet linear fixture	-34 34 WATTS : 2,316 lms @3500K	-30 3000K CCT	-D 0-10V Dimming	-WH White	-OPL Optical Lens	-[LEAVE BLANK] Standard
	-6 6 feet linear fixture	-46 46 WATTS : 3,440 lms @3500K	-35 3500K CCT		-BK Black		-AIR Suspended Linear **
	-8 8 feet linear fixture	-67 67 WATTS : 4,563 lms @3500K	-40 4000K CCT		-SV Silver		-RMB Recessed Mount Bracket

** AIR comes with suspension kit (2 canopy/ power cord/ /2 suspension wires) ; standalone fixture.

*** For continuous runs ; Links and one-hole canopies are ordered separately.



Beam Angle : 65°

DATE	
PROJECT NAME	
TYPE	
QTY	
ORDERING CODE	AE-SF-LX- - - -D - - -

LOUVER LENS ORDERING GUIDE

EXAMPLE: AE-SF-LX-4-31-30-D-WH-LVR-AIR

FIXTURE FAMILY	LENGTH	POWER	CCT	CONTROLS	FINISH	LENS	MOUNTING
AE-SF-LX	-	-	-	-D	-	-	-
AE-SF-LX LX Series linear	-4 4 feet linear fixture	-31 31 WATTS : 1,920lms @3500K	-30 3000K CCT	-D 0-10V Dimming	-WH White	-LVR Louver Lens	-[LEAVE BLANK] Standard
	-6 6 feet linear fixture	-46 46 WATTS : 2,849 lms @3500K	-35 3500K CCT		-BK Black		-AIR Suspended Linear **
	-8 8 feet linear fixture	-61 61 WATTS : 3,778 lms @3500K	-40 4000K CCT		-SV Silver		-RMB Recessed Mount Bracket

** AIR comes with suspension kit (2 canopy/ power cord/ /2 suspension wires) ; standalone fixture.

*** For continuous runs ; Links and one-hole canopies are ordered separately.



Beam Angle : 80°

eralux®
LX SERIES

LINEAR FIXTURES
Linear Architectural Lighting

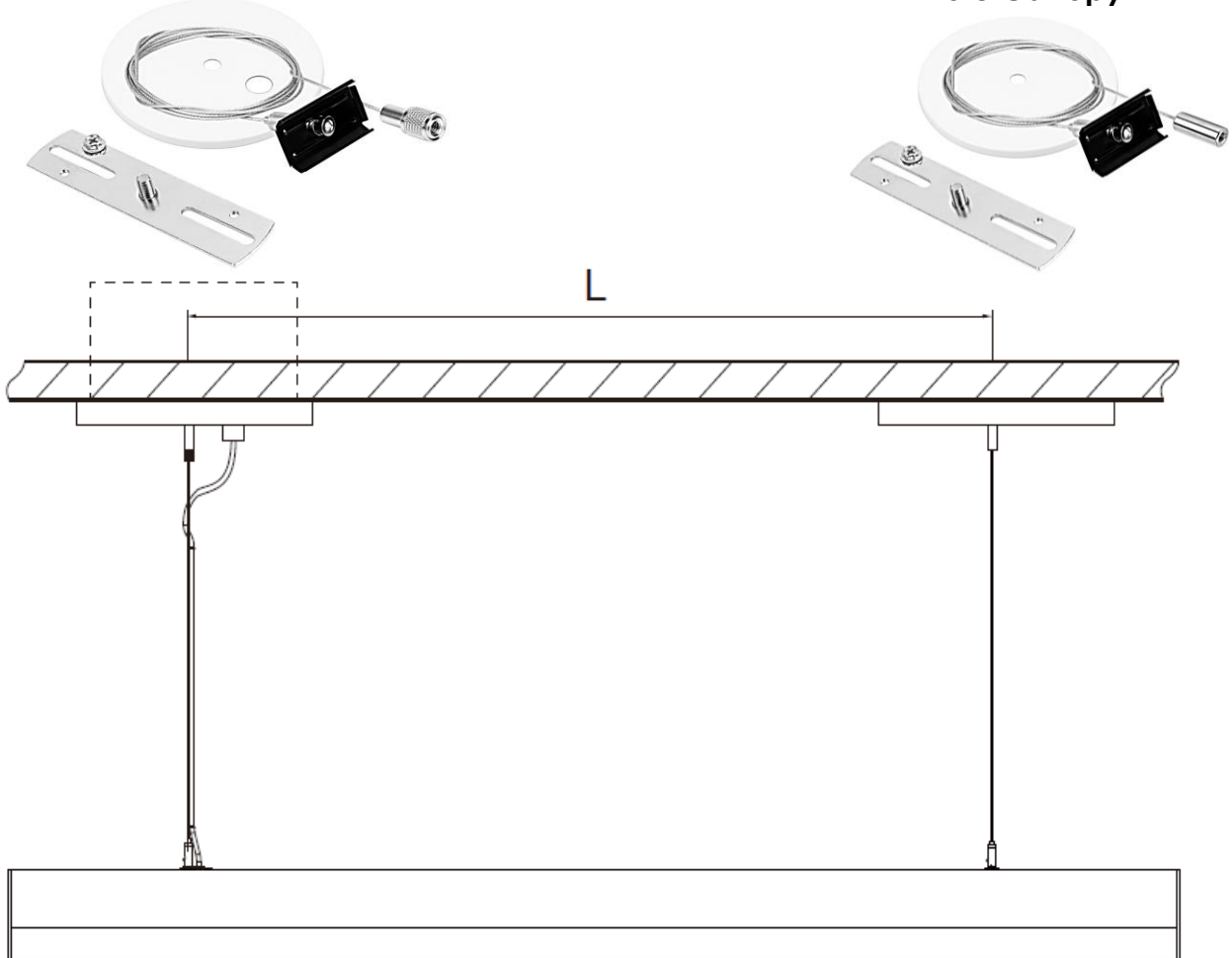
DATE							
PROJECT NAME							
TYPE							
QTY							
ORDERING CODE	AE-SF-LX-	-	-	-D	-	-	-

MOUNTING OPTIONS

DRILLING PATTERN FOR SUSPENDED MOUNT-SUSPENSION

2 Hole Canopy

1 Hole Canopy



FIXTURE	1230mm (48.42")	1839mm (72.40)	2449mm (96.41)
L	995mm±10mm (39.17" ±0.39")	1340mm±10mm (52.75" ±0.39")	1950mm±10mm (76.77±0.39")

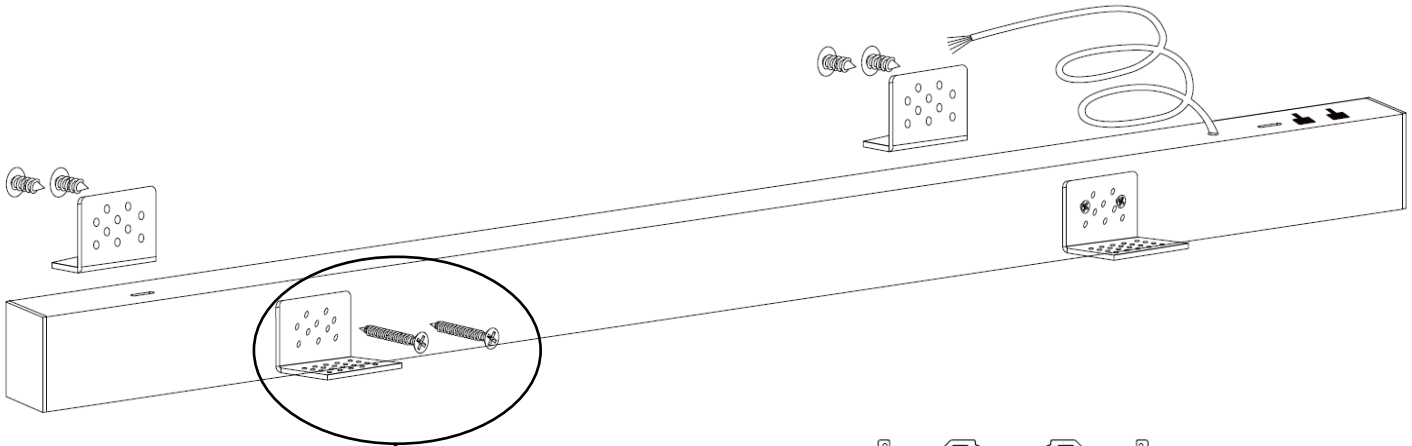
eralux® LX SERIES

LINEAR FIXTURES

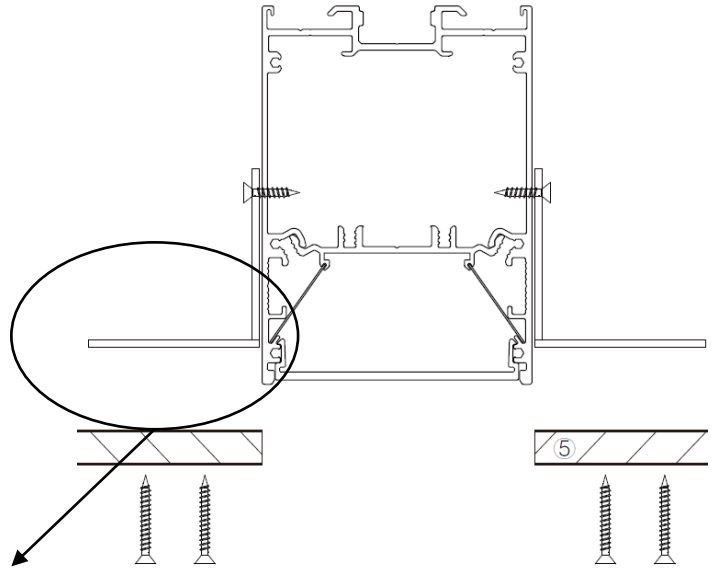
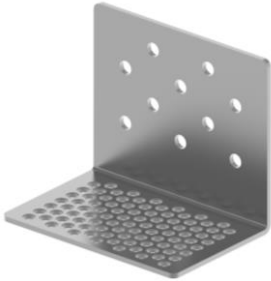
Linear Architectural Lighting

DATE	
PROJECT NAME	
TYPE	
QTY	
ORDERING CODE	AE-SF-LX- - - -D - - -

RECESSED MOUNT



Recessed Mount Bracket
screwed into the fixture.



The bracket can be
above or below the
ceiling depending on the
situation.

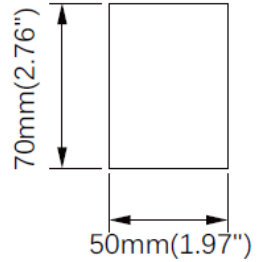
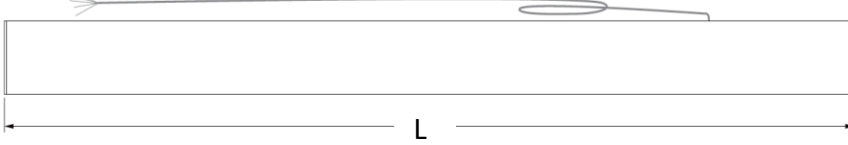
eralux® LX SERIES

LINEAR FIXTURES

Linear Architectural Lighting

DATE	
PROJECT NAME	
TYPE	
QTY	
ORDERING CODE	AE-SF-LX- - - -D - - -

DIMENSIONS



LENGTH (L)
1230mm (48")
1839mm (72")
2449mm (96")

ACCESSORIES

CODE	DESCRIPTION	PICTURE
AE-SF-LX-L-PTB-PF2-6-D	Suspension Mount Kit Canopy with 2 holes Suspension wire Diffuser piece	
AE-SF-LX-L-PTB-NPF-6-D	Suspension Mount Kit Canopy with 1 hole Suspension wire Diffuser piece	
AE-SF-LX-PWRCORD	6FT Power Cord Ordered separate. Maximum power 770W per one Power Cord	
AE-SF-LX-RMK	Recessed Mount Kit	
AE-SF-LX-LINK	Linkable Metal Accessory Ordered separate.	

eralux® LX SERIES

LINEAR FIXTURES
Linear Architectural Lighting

DATE	
PROJECT NAME	
TYPE	
QTY	
ORDERING CODE	AE-SF-LX- - - -D - - -

ACCESSORIES (Continued)

Ordered separately, field installed

EMERGENCY LED DRIVER (BLD-YTXXD-XXX)

BLD-YT08D-XXX

OUTPUT POWER : 8 WATTS

BLD-YT15D-XXX

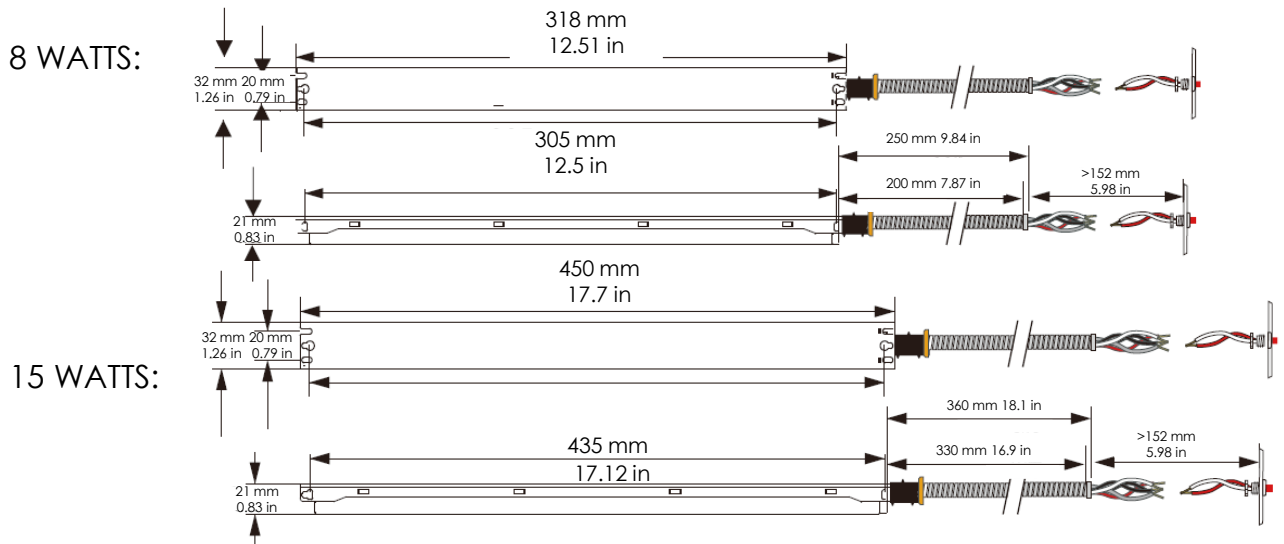
OUTPUT POWER : 15 WATTS



- Easy Wiring
- Certified For CA Title 20
- Constant Power Performance

BLD-YTXXD-XXX LED Emergency Driver is UL listed for field and factory installation that allows the same LED fixture to be used for both normal and emergency operation. In the event of a power failure, the emergency driver switches to emergency mode and operates the fixture for 90 minutes. This module will operate a LED array load at 8W or 15W with constant power at a rated output voltage of 30-60 VDC. The constant power design of BLD-YTXXD-XXX maintains the output wattage to the LED array, providing consistent illumination for the entire emergency runtime. Its slim shape is ideal for use in linear LED lighting fixtures.

DIMENSIONS (inches and mm)



eralux® LX SERIES

LINEAR FIXTURES

Linear Architectural Lighting

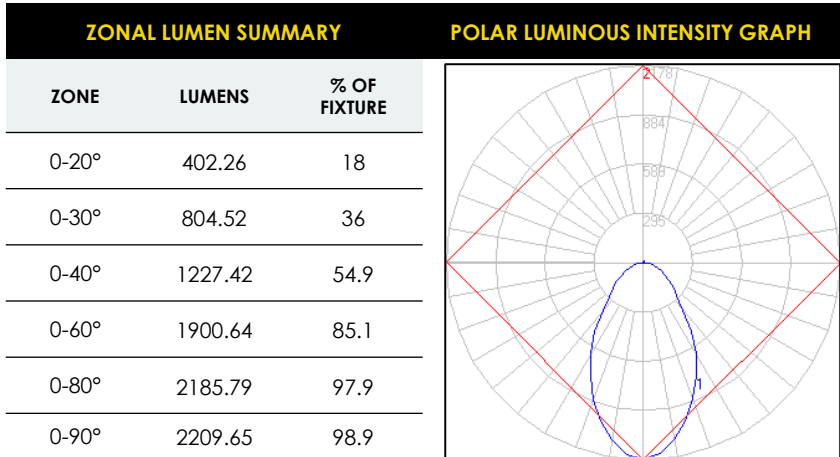
DATE	
PROJECT NAME	
TYPE	
QTY	
ORDERING CODE	AE-SF-LX- - - -D - - -

Lumen output varies based on CCT and CRI. An estimate of lumen output of the various CCT/CRI combinations, use correction factors as per table below:

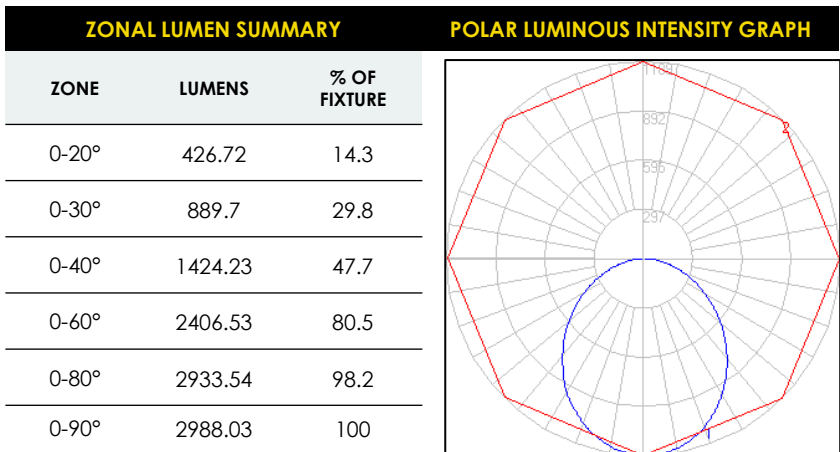
LUMEN ESTIMATE ADJUSTMENT FACTORS				
CCT	2700K	3000K	3500K	4000K
PREMIUM (90CRI)	0.96	1	1.03	1.06

PHOTOMETRIC DATA

AE-SF-LX-4-31W-40-D-X-LVR-X
4FT
31W
4000K CCT
LOUVER LENS



AE-SF-LX-4-31W-40-D-X-UGR-X
4FT
31W
4000K
Prismatic Diffuser



eralux® LX SERIES

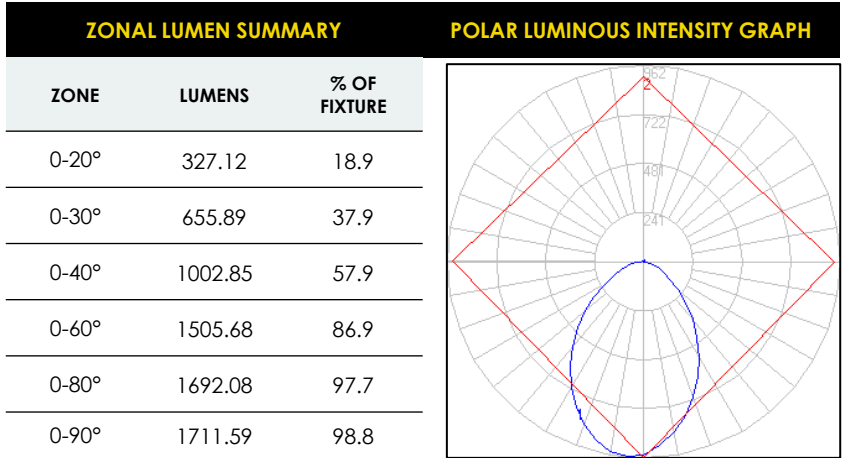
LINEAR FIXTURES

Linear Architectural Lighting

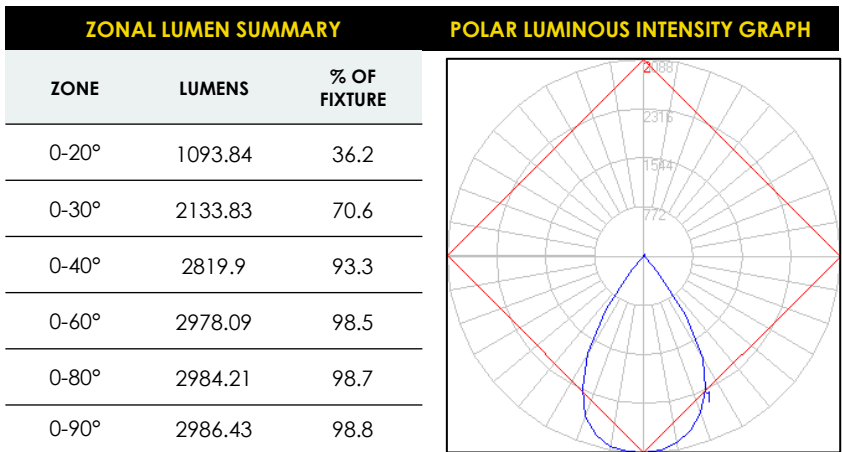
DATE	
PROJECT NAME	
TYPE	
QTY	
ORDERING CODE	AE-SF-LX- - - -D - - -

PHOTOMETRIC DATA

AE-SF-LX-4-31W-40-D-X-HX-X
4FT
31W
4000K
HEX DIFFUSER



AE-SF-LX-4-34W-X-X-X-OPL-X
4FT
34W
4000K
OPTICAL LENS DIFFUSER



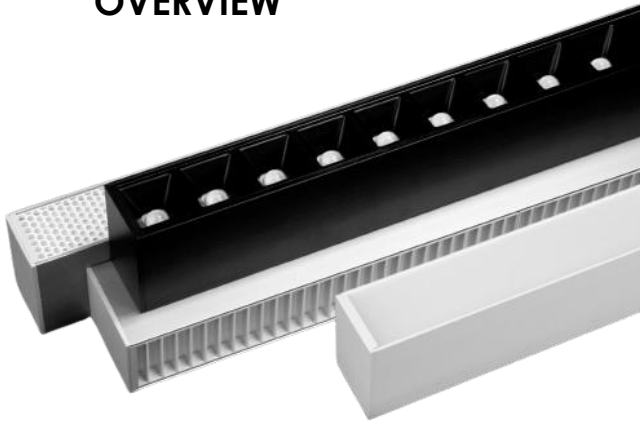
eralux® LX SERIES

LINEAR FIXTURES

Linear Architectural Lighting

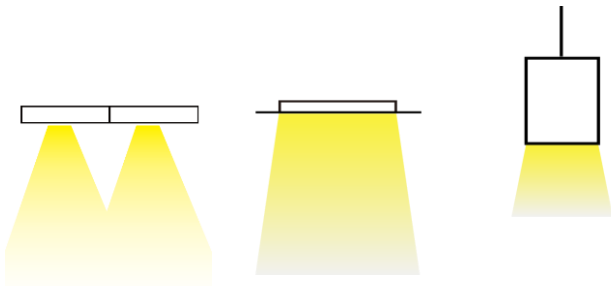
DATE	
PROJECT NAME	
TYPE	
QTY	
ORDERING CODE	AE-SF-LX- - - -D - - -

OVERVIEW



MOUNTING METHOD

LX Series has several mounting options making it applicable for any scenario. It can be recessed or suspended.



FINISH

Standard ERALUX finish provides an elegant look to the fixture's housing. It comes in Black/White/Silver.



LENS

Variable lens options making our fixture suitable for any project adding an aesthetic look to the environment.

CONTINUOUS RUNS

Easily connect multiple fixtures together for continuous mounting configuration.

CCT/POWER SWITCHABLE

CCT switch to change between 3 CCT variations from warm to cool light. Power Selectable depending on the size of the fixture (4/6/8FT) only for **UGR Lens**.

