

MAVEN

TRACK LED LIGHT

Round Track Head | 3" Aperture

MAVEN is a powerful choice and a perfect combination with the other Maven series' tracklights. Available in various CCT, and adapter options, Maven can mount to pre-existing tracks or be paired with other ERALUX accessories to build a new track system. MAVEN provides an even distribution at various beam angles. The LED head rotates for a flexible lock wherever the beam is required.

Application :Retail Spaces, Hospitality, Office Settings, Art Galleries, Wellness and Spa

eralux®

	DATE	QTY	ACC. QTY	TYPE
PROJECT				
PN				
ACCESSORY PN				
NOTES				



DYNAMIC MENU

Order Information	Page 2
Dimensions	Page 3
Accessories	Page 3
Photometric Data	Page 5

[Install Instruction link](#)

SPECIFICATIONS

Input Voltage	120V
Power Factor	>0.9
Total Harmonic Distortion	<30%
CRI	90 CRI
CCT	<div style="display: flex; gap: 10px;"> <div style="border: 1px solid black; border-radius: 50%; width: 20px; height: 20px; display: flex; align-items: center; justify-content: center;">30K</div> <div style="border: 1px solid black; border-radius: 50%; width: 20px; height: 20px; display: flex; align-items: center; justify-content: center;">40K</div> </div>
Efficacy	~67-78 lm
Power	10.5W
Ambient Temperature Range	-10°C to 35°C
Mounting Adapter	Juno Global Halo Lightolier
Mounting Options	Track System Monopoint
Fixture Finish	Black White Silver
Distribution	<div style="display: flex; justify-content: space-around; margin-bottom: 5px;"> Narrow Flood Wide </div>



PRODUCT CERTIFICATIONS



SYSTEM WARRANTY – 5 YEARS

Eralux will warrant defective drivers, LEDs and boards for 5 years from the date of purchase. This warranty is valid only if the fixture is installed and used as per installation guides and specifications. If a defect is present, Eralux will send drivers and boards at no fee with a thorough replacement instructions along with instructions on the return of the defective parts back to Eralux.

LUMEN MAINTENANCE – L70 at 30,000 hours

Rated for 70% initial lumen output at 30,000 hours of operation, operated at 25°C ambient temperature; per guidelines published by the Illuminating Engineering Society (IES).

TRACK LED LIGHT

Cylinder Track Head | 3" Aperture



ORDERING GUIDE

AE-TL-MV	-12		P			
AE-TL-MV-12 ERALUX MAVEN series track light	-12 120V	NF Narrow Flood 24° FL Flood 29° WF Wide Flood 55°	P Premium 90 CRI	30 3000K 40 4000K	J1 Juno G1 Global H1 Halo L1 Lightolier	BK Black powder coat WH White powder coat SV Silver powder Coat

Fixture Family	Wattage	Distribution	CRI	CCT	Adapter	Finish
-----------------------	----------------	---------------------	------------	------------	----------------	---------------



ORDERING GUIDE-ACCESSORIES

Ordered separately

T10016 Monopoint Mounting	-BK Black
T10017 Duopoint Mounting	-WH White

Mounting	Finish
-----------------	---------------

ORDERING GUIDE- TRACK SYSTEM

Track system and components are ordered with the track head if needed.

Refer to the links below for more information

T1 ERALUX Track T1 Compatible with Juno system-1 circuit	-2 2ft track -4 4ft track -6 6ft track -8 8ft track -12 12ft track
T2 ERALUX Track T2 Compatible with Juno system-2 circuit	0001 Mini I Connector 0002 T Connector 0003 L Connector 0004 X Connector 0015 End Feed
H1 ERALUX Track H1 Compatible with Halo system-1 circuit	

-BK
Black Finish

-WH
White Finish

Track System	Components	Finish	PN	QTY
---------------------	-------------------	---------------	-----------	------------

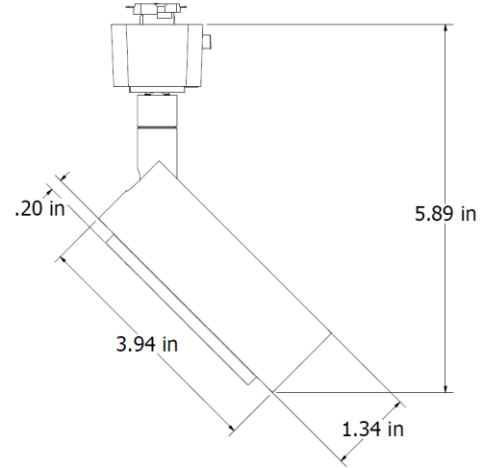
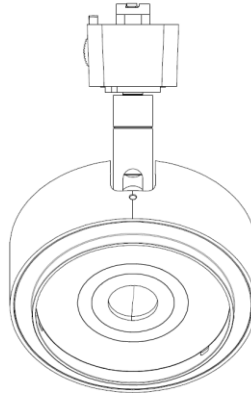
TRACK LED LIGHT

Cylinder Track Head | 3" Aperture

DIMENSIONS

AE-TL-MV-12

- Rotation up to 350°
- Tilt +/- 90°



MOUNTING

ORDERING CODE		DESCRIPTION	PICTURE
T10016	-WH	Monopoint adapter Surface / wall mount Compatible with Juno system 1 Track head can be installed.	
	-BK		
T10017	-WH	Duopoint adapter Surface / wall mount Compatible with Juno system. 2 Track heads can be installed.	
	-BK		

TRACK LED LIGHT

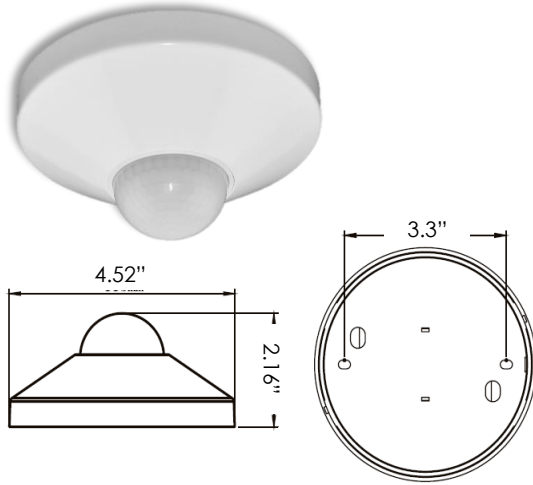
Cylinder Track Head | 3" Aperture

ROOM OCCUPANCY SENSOR

Ordered separately, field installed

PART NUMBER	DESCRIPTION
AE-CT-DT806	Detecta - Room Occupancy Sensor
RC102	RC102 Remote Control

SPECIFICATIONS		
Input Voltage	120-277 Vac	
Power Frequency	50/60HZ	
Rated Load	At 120 Vac	800W
	At 277 Vac	1200W
Detection Range	3-10 Meters	
	9.8-32.75 Feet	
Standby Power	~0.9W	
Time Setting	10 sec to 30 min	
Light Control	10-2,000LUX	
Installation	Ceiling Mounted	



TRACK LED LIGHT

Cylinder Track Head | 3" Aperture

LUMEN ESTIMATE

Lumen output varies based on CCT and CRI. An estimate of lumen output of the various CCT/CRI combinations, use correction factors as per table below:

LUMEN ESTIMATE ADJUSTMENT FACTORS		
CCT	3000K	4000K
PREMIUM (90CRI)	0.86	0.93

PHOTOMETRIC DATA

PART NUMBER		ZONAL LUMEN SUMMARY			POLAR LUMINOUS INTENSITY
AE-TL-MV-12-NFP30X1XX		Zone	Lumens	% Fixture	Direct Light
Wattage	10.5W	0-20°	502.90	65.90	
CCT	3000K	0-30°	629.30	82.50	
Distribution	25°	0-40°	678.30	88.90	
CBCP	2750	0-60°	709.29	92.90	
		0-80°	724.73	95.00	
		0-90°	730.44	95.70	

PART NUMBER		ZONAL LUMEN SUMMARY			POLAR LUMINOUS INTENSITY
AE-CDM-12HFLP30XXXXXX		Zone	Lumens	% Fixture	Direct Light
Wattage	10.5W	0-20°	472.43	60.50	
CCT	3000K	0-30°	654.02	83.70	
Distribution	40°	0-40°	708.71	90.70	
CBCP	1700	0-60°	734.46	94.00	
		0-80°	747.28	95.70	
		0-90°	752.18	96.30	

PART NUMBER		ZONAL LUMEN SUMMARY			POLAR LUMINOUS INTENSITY
AE-TL-CDM-12HWFP30X1XX		Zone	Lumens	% Fixture	Direct Light
Wattage	10.5W	0-20°	225.77	30.00	
CCT	3000K	0-30°	445.04	59.10	
Distribution	60°	0-40°	608.64	80.80	
CBCP	620	0-60°	707.01	93.90	
		0-80°	721.67	95.80	
		0-90°	726.30	96.40	

OVERVIEW



Innovative Design

- Die cast aluminum housing for better heat dissipation.
- Improved design extends LED and driver lifespan.



Multiple Options

- 10.5W power.
- Variety of beam angles.
- Black, white, and silver finishes.



Tests And Certifications



Mountings Available

- Choose from any of the popular track systems such as Juno, Halo, Lightolier, or Global.
- Surface mount with either monopoint or duopoint adapters.

