

RING

LED COMMERCIAL DOWNLIGHT

Surface Mount | 11", 13", 15" Round

The 2nd RING Series is the preferred solution for residences with a light source that provides a seamless transitions to various spaces. It comes in several wattage options as in the 16W, 20W and 24W and CCT Switchable option. It also enables a rapid transition from incumbent technologies with its TRIAC dimming capabilities.

Applications: Corridors | Residentials | Commercial

eralux[®]

| | DATE | QTY | ACC. QTY | TYPE |
|--------------|------|-----|----------|------|
| PROJECT | | | | |
| PN | | | | |
| ACCESSORY PN | | | | |
| NOTES | | | | |



DYNAMIC MENU

| | |
|-------------------|------------------------|
| Order Information | Page 2 |
| Dimensions | Page 2 |
| Photometric Data | Page 4 |

[Install Instruction link](#)

SPECIFICATIONS

| | | | | |
|--------------------------------|---|-----|-----|-----|
| Input Voltage | 120V | | | |
| Power Factor | >0.9 | | | |
| Total Harmonic Distortion | <20% | | | |
| Dimming Page 3 | TRIAC | | | |
| CRI | 80 CRI | | | |
| CCT | 27K 30K 35K 40K 50K | | | |
| Efficacy | ~80 LPW | | | |
| Size (inch) | <table border="1" style="display: inline-table; border-collapse: collapse;"> <tr> <td style="padding: 2px 10px;">11"</td> <td style="padding: 2px 10px;">13"</td> <td style="padding: 2px 10px;">15"</td> </tr> </table> | 11" | 13" | 15" |
| 11" | 13" | 15" | | |
| Power (W) | <table border="1" style="display: inline-table; border-collapse: collapse;"> <tr> <td style="padding: 2px 10px;">16</td> <td style="padding: 2px 10px;">20</td> <td style="padding: 2px 10px;">24</td> </tr> </table> | 16 | 20 | 24 |
| 16 | 20 | 24 | | |
| Ambient Temperature Range | -10°C to 40°C | | | |
| Finish | Brushed metal | | | |
| Mounting | Surface mount | | | |

Distribution



PRODUCT FEATURES



PRODUCT CERTIFICATIONS



SYSTEM WARRANTY – 5 YEARS

Eralux will warrant defective drivers, LEDs and boards for 5 years from the date of purchase. This warranty is valid only if the fixture is installed and used as per installation guides and specifications. If a defect is present, Eralux will send drivers and boards at no fee with a thorough replacement instructions along with instructions on the return of the defective parts back to Eralux.

LUMEN MAINTENANCE – L70 at 50,000 hours

Rated for 70% initial lumen output at 50,000 hours of operation, operated at 25°C ambient temperature; per guidelines published by the Illuminating Engineering Society (IES).

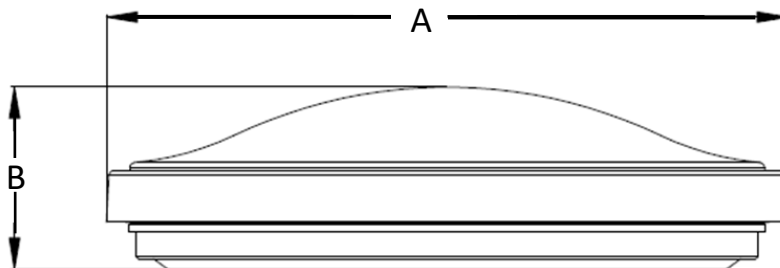
LED COMMERCIAL DOWNLIGHT

Surface Mount | 11", 13", 15" Round

ORDERING GUIDE

| | | | |
|--|--|--|--------------------------------|
| AE-DL-RG- | | -82750 | -TRIAC |
| ERALUX RING Surface Mount Downlight | 11-16W 11" 16W 1246 lms 13-20W 13" 20W 1448 lms 15-24W 15" 24W 1815 lms | -82750 80 CRI 2700/3000-3500/4000/5000K CCT Switchable | -TRIAC TRIAC Dimming |
| Fixture Family | Size Power | CRI CCT | Dimming |

DIMENSIONS



| Dimensions | | | |
|------------|------------------------|------------------------|------------------------|
| | AE-DL-RG-11-16W | AE-DL-RG-13-20W | AE-DL-RG-15-24W |
| A | ∅ 11 in | ∅ 13 in | ∅ 15 in |
| B | 3.5 in | 3.5 in | 3.5 in |

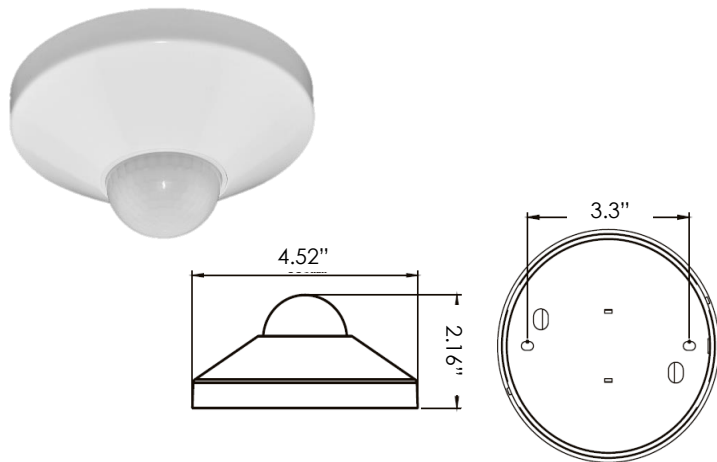
LED COMMERCIAL DOWNLIGHT

Surface Mount | 11", 13", 15" Round

ROOM OCCUPANCY SENSOR

| PART NUMBER | DESCRIPTION |
|-------------|----------------------------|
| AE-CT-DT806 | Line Voltage Motion Sensor |
| RC102 | RC102 Remote Control |

| SPECIFICATIONS | |
|------------------------|--------------------|
| Input Voltage | 120-277 Vac |
| Power Frequency | 50/60HZ |
| Rated Load | At 120 Vac 800W |
| | At 277 Vac 1200W |
| Detection Range | 3-10 Meters |
| | 9.8-32.8 Feet |
| Standby Power | ~0.9W |
| Time Setting | 10 sec to 30 min |
| Light Control | 10-2,000LUX |
| Installation | Ceiling Mounted |



DIMMER COMPATIBILITY LIST

Dimmer: Low Line(120V/100V) TRIAC

| Brand | Model | Brand | Model |
|--------|----------------|---------|----------|
| LUTRON | S-600PR-WH | LEVITON | 6631-1LW |
| | CTCL-153PR-WH | | 6674-POT |
| | DVWCL-153PH-WH | | 6672-1LW |
| | DVCL-153PR-BL | | 6683-1W |
| | TG600PR-LA | | |
| | TGCL-153PH-WH | | |
| | CT600P-WH | | |

LED COMMERCIAL DOWNLIGHT

Surface Mount | 11", 13", 15" Round

LUMEN ESTIMATE

Lumen output varies based on CCT and CRI. An estimate of lumen output of the various CCT/CRI combinations, use correction factors as per table below:

LUMEN ESTIMATE ADJUSTMENT FACTORS

| CCT | 2700K | 3000K | 3500K | 4000K | 5000K |
|-----------------|-------|-------|-------|-------|-------|
| PREMIUM (90CRI) | 0.96 | 1 | 1.03 | 1.06 | 1.09 |

PHOTOMETRIC DATA

| PART NUMBER | | ZONAL LUMEN SUMMARY | | | POLAR LUMINOUS INTENSITY | CONE DISTRIBUTION | | | |
|-----------------------------|-------|---------------------|---------|-----------|--------------------------|---|------------|---------|---------|
| AE-DL-RG-11-16W-82750-TRIAC | | Zone | Lumens | % Fixture | Direct Light | Center Beam Fc | Beam Width | | |
| Wattage | 16W | 0-20° | 125.43 | 10.2 | | 1.7ft | 118 fc | 5.9 ft | 5.9 ft |
| CCT | 2700K | 0-30° | 267.34 | 21.8 | | 3.3ft | 31.4 fc | 11.4 ft | 11.4 ft |
| Distribution | 120° | 0-40° | 440.78 | 36 | | 5.0ft | 13.7 fc | 17.3 ft | 17.3 ft |
| | | 0-60° | 799.42 | 65.3 | | 6.7ft | 7.61 fc | 23.1 ft | 23.2 ft |
| | | 0-80° | 1048.19 | 85.6 | | 8.3ft | 4.96 fc | 28.6 ft | 28.8 ft |
| | | 0-90° | 1117 | 91.2 | | 10.0ft | 3.42 fc | 34.5 ft | 34.6 ft |
| | | | | | | ■ Vert. Spread: 119.8° ■ Horiz. Spread: 120.0° | | | |
| AE-DL-RG-13-20W-82750-TRIAC | | Zone | Lumens | % Fixture | Direct Light | Center Beam Fc | Beam Width | | |
| Wattage | 20W | 0-20° | 163.97 | 10.3 | | 1.7ft | 154 fc | 5.9 ft | 5.9 ft |
| CCT | 2700K | 0-30° | 349.94 | 22 | | 3.3ft | 41 fc | 11.5 ft | 11.5 ft |
| Distribution | 120° | 0-40° | 577.73 | 36.3 | | 5.0ft | 17.8 fc | 17.4 ft | 17.5 ft |
| | | 0-60° | 1049.59 | 65.9 | | 6.7ft | 9.94 fc | 23.3 ft | 23.4 ft |
| | | 0-80° | 1371.21 | 86.1 | | 8.3ft | 6.48 fc | 28.8 ft | 29.0 ft |
| | | 0-90° | 1455.05 | 91.4 | | 10.0ft | 4.46 fc | 34.7 ft | 34.9 ft |
| | | | | | | ■ Vert. Spread: 120.1° ■ Horiz. Spread: 120.4° | | | |
| AE-DL-RG-15-24W-82750-TRIAC | | Zone | Lumens | % Fixture | Direct Light | Center Beam Fc | Beam Width | | |
| Wattage | 24W | 0-20° | 205.73 | 10.8 | | 1.7ft | 194 fc | 5.7 ft | 5.7 ft |
| CCT | 2700K | 0-30° | 438.68 | 23.1 | | 3.3ft | 51.5 fc | 11.0 ft | 11.0 ft |
| Distribution | 120° | 0-40° | 723.11 | 38.1 | | 5.0ft | 22.4 fc | 16.7 ft | 16.7 ft |
| | | 0-60° | 1305.7 | 68.7 | | 6.7ft | 12.5 fc | 22.4 ft | 22.4 ft |
| | | 0-80° | 1685.7 | 88.7 | | 8.3ft | 8.14 fc | 27.8 ft | 27.7 ft |
| | | 0-90° | 1772.33 | 93.3 | | 10.0ft | 5.61 fc | 33.4 ft | 33.4 ft |
| | | | | | | ■ Vert. Spread: 118.2° ■ Horiz. Spread: 118.2° | | | |

OVERVIEW



Multiple Options

- 3 distinct sizes each offering a different power output
- 5 CCT switchable from 2700K to 5000K.



Innovative Design

- Housing made from aluminum for increased rigidity and strength.
- Strong, high-performing design with a sleek, refined finish.



Mountings Available

Surface Mount.



Tests And Certifications

