

RIZZUTO

OUTDOOR PRODUCTS

Outdoor area light

The Rizzuto Series combines the desire for high efficacy and a distinguished look in an outdoor luminaire. The Rizzuto Series' mounting methods and variety of light distribution patterns, allows you to tailor your luminaire to your lighting needs. With power options reaching up to 39,000 lumens, the Rizzuto outdoor luminaire shows that performance and functionality can be simultaneously achieved. Our fixture comes standard with a 3 pin NEMA base as well as a 20KV SPD.



eralux®

IP65



DATE	
PROJECT NAME	
TYPE	
QTY	
ORDERING CODE	AE-OD-RZ- - W -7 - -T - -

OPERATING & ELECTRICAL

INPUT VOLTAGE	120-277V, 277-480V
POWER FACTOR	0.9
DIMMING	0-10V
TOTAL HARMONIC DISTORTION (THD)	<20%

PERFORMANCE

LUMENS PER WATT	130 LPW at 70CRI
POWER CONSUMPTION	100W, 150W, 200W, 240W, 300W
DISTRIBUTION	Types 2, 3, 4, 5

MECHANICAL & HOUSING

HOUSING	Aluminum die cast housing for superior heat dissipation, strength, and rigidity critical to long LED system life.
LENS	Highly durable polycarbonate lens ensures high efficiency light output for a clean, evenly illuminated surface with minimal glare. High transmittance lens allowing for a smooth, diffused light pattern. Glass lens available
FINISH	Powder coat fade and abrasion resistant finish for the toughest outdoor conditions. Available in black, bronze, Nebula white, Aluminum (RAL9006) finishes.
POWER SUPPLY	Factory wired electronic LED driver
LED BOARD	Light emitted source

APPLICATION CONDITION

AMBIENT TEMPERATURE RANGE	-40°C to 40°C
Protection	Fixture and driver IP65 rated, 3G vibration tested conforms to ANSI standards.

COMPATIBLE MOUNTING

MOUNTING	Direct, Slip fitter, Rd./Sq. pole, trunnion
----------	---

WARRANTY

SYSTEM WARRANTY – 5 YEARS

Eralux will warrant defective drivers, LEDs and boards for 5 years from the date of purchase. This warranty is valid only if the fixture is installed and used as per installation guides and specifications. If a defect is present, Eralux will send drivers and boards at no fee with a thorough replacement instructions along with instructions on the return of the defective parts back to Eralux.

LUMEN MAINTENANCE – L70 at 50,000 hours

Rated for 70% initial lumen output at 50,000 hours of operation, operated at 25°C ambient temperature; per guidelines published by the Illuminating Engineering Society (IES).

DATE	
PROJECT NAME	
TYPE	
QTY	
ORDERING CODE	AE-OD-RZ- - W -7 - -T - -

ORDERING GUIDE

EXAMPLE: AE-OD-RZ-100W-740-DU-T4-D-BK


FIXTURE FAMILY	POWER	CRI	CCT	CONTROLS	VOLTAGE	DISTRIBUTION	MOUNTING TYPE	FINISH
AE-OD-RZ	- W	-7		-		-T	-	-
AE-OD-RZ ERALUX Rizzuto Series outdoor area light fixture	-100W 100 Watts: 13,000 lumens	-7 70 CRI	22 2200K CCT	-D 0-10V external dimming down to 10%	U 100-277Vac input voltage range	-T2 Type 2	-A Slip Fitter	-BK Black powder coat finish
			30 3000K CCT				-B Direct Bracket	-BZ Bronze powder coat finish
	40 4000K CCT						-T3 Type 3	-C Trunnion
			50 5000K CCT			-T4 Type 4	-D No Mounting	-AL Aluminum (RAL9006) powder coat finish*
	-240W 240 Watts: 31,200 lumens		65 6500K CCT			-P Photocontrol daylight sensor	H 200-480Vac input voltage range	-T5 Type 5
	-200W 200 Watts: 26,000 lumens							
	-300W 300 Watts: 39,000 lumens							

*Contact for details on leadtime and availability

DATE	
PROJECT NAME	
TYPE	
QTY	
ORDERING CODE	AE-OD-RZ- - W -7 - -T - -

ACCESSORIES

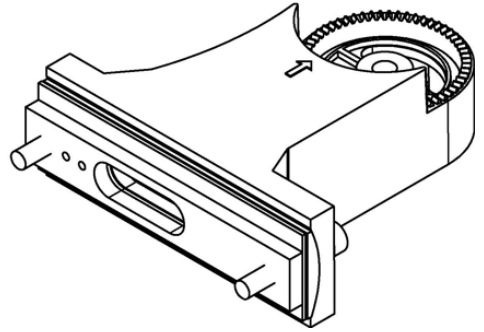
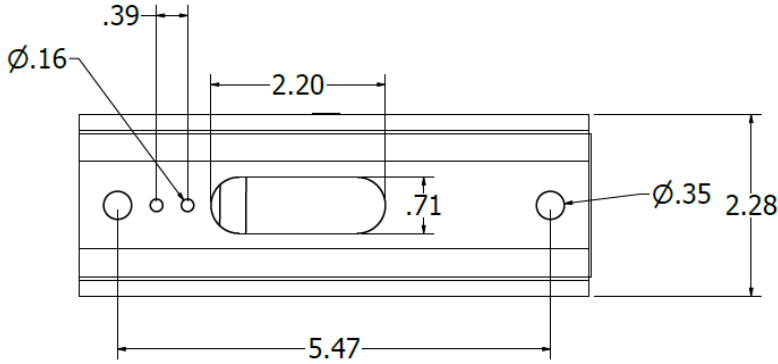
Ordered separately, field installed

PART NUMBER	DESCRIPTION	PICTURE
AE-OD-RZ-PHOTOCELL-HV	High volage photocell giving fixture the feature to automatically turn on or off depending on sunlight	
AE-OD-RZ-PHOTOCELL-UV	Low volage photocell giving fixture the feature to automatically turn on or off depending on sunlight	

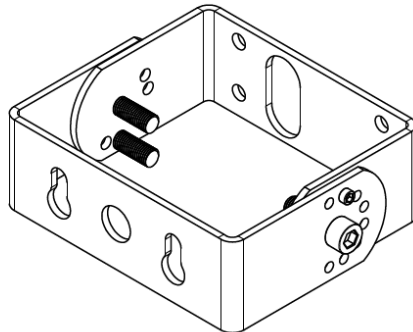
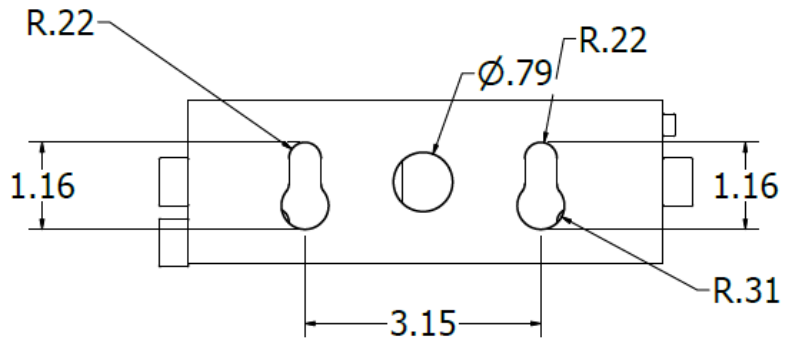
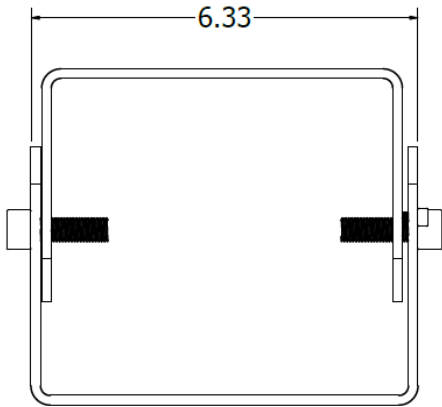
DATE	
PROJECT NAME	
TYPE	
QTY	
ORDERING CODE	AE-OD-RZ- - W -7 - -T - -

BRACKETS DIMENSIONS(IN INCHES)

DIRECT



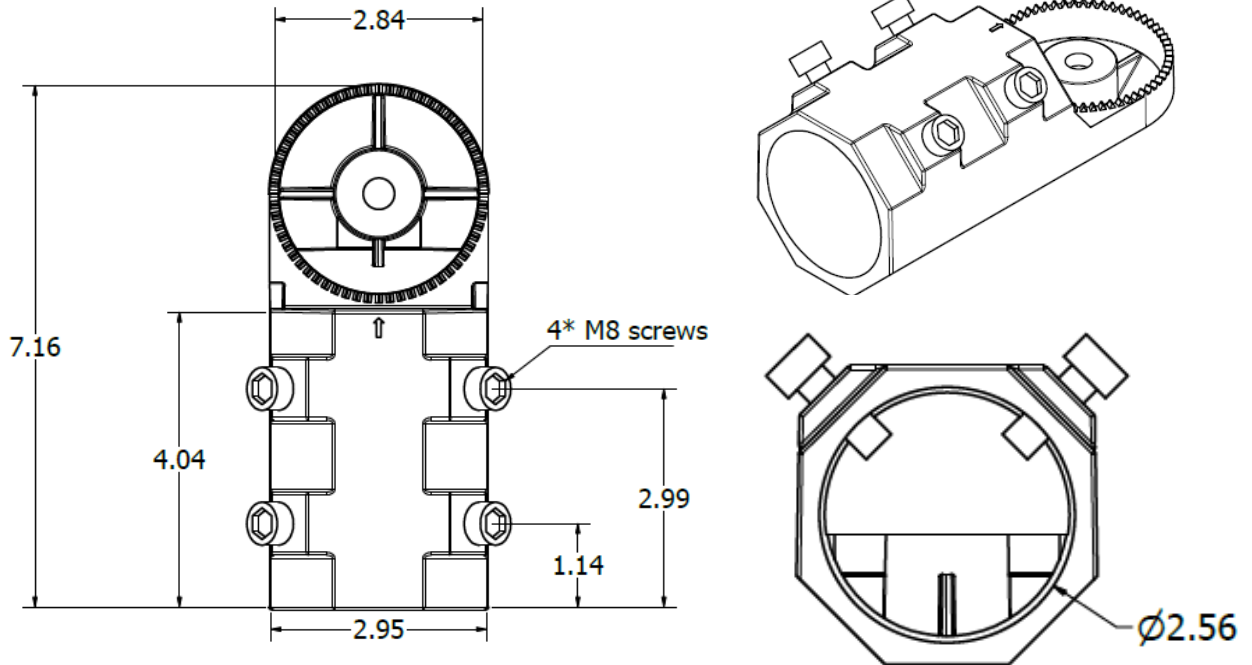
TRUNNION



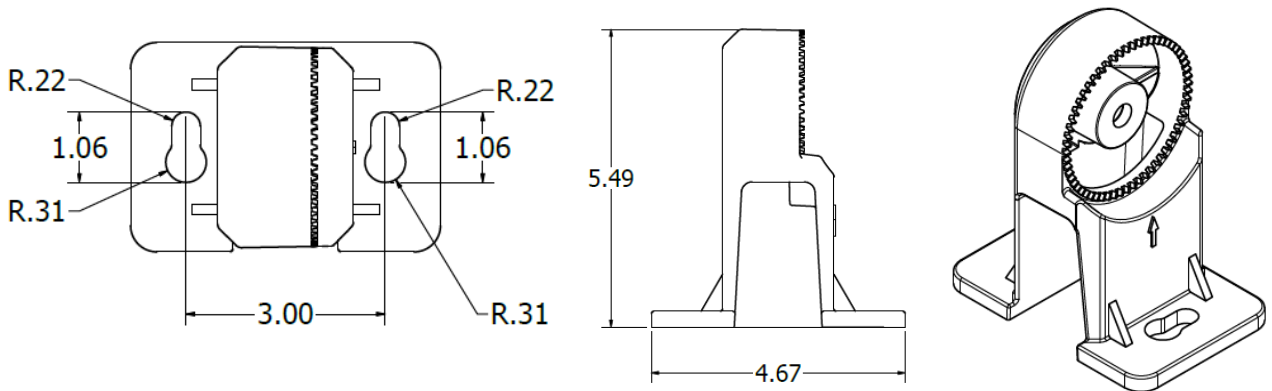
DATE	
PROJECT NAME	
TYPE	
QTY	
ORDERING CODE	AE-OD-RZ- - W -7 - -T - -

BRACKETS DIMENSIONS (IN INCHES)

SLIP FITTER



YOKE MOUNT



DATE	
PROJECT NAME	
TYPE	
QTY	
ORDERING CODE	AE-OD-RZ- - W -7 - -T - -

ACCESSORIES Ordered separately

MOUNTING METHODS

FIXTURE FAMILY	MOUNTING METHOD	FINISH
AE-OD-RZ	-	-
AE-OD-RZ ERALUX Rizzuto Series outdoor area light fixture	-SF Slip fitter mounting bracket	-BK Black powder coat finish
	-DI Direct mounting bracket	-BZ Bronze powder coat finish
	-YM Yoke mount bracket	-AL Aluminum(RAL9006) powder coat finish*
	-TR Trunnion mount bracket	

FIXTURE FAMILY	MOUNTING METHOD	FINISH	POWER RANGE
AE-OD-RZ	-	-	-
AE-OD-RZ ERALUX Rizzuto Series outdoor area light fixture	-UBKT Floodlight U Brackets	-BK Black powder coat finish	-150W 60-150 Watts
		-BZ Bronze powder coat finish	
		-WH White powder coat finish	-300W 200-300 Watts
		-AL Aluminum(RAL9006) powder coat finish*	

CONTROLS

FIXTURE FAMILY	CONTROLS
AE-OD-RZ	-
AE-OD-RZ ERALUX Rizzuto Series outdoor area light fixture	-LA Lighting arrestor
	-SB Socket base of photocell

FIXTURE FAMILY	CONTROLS
AE-OD-RZ	-
AE-OD-RZ ERALUX Rizzuto Series outdoor area light fixture	-PC Photocell
	-SC Shorting cap

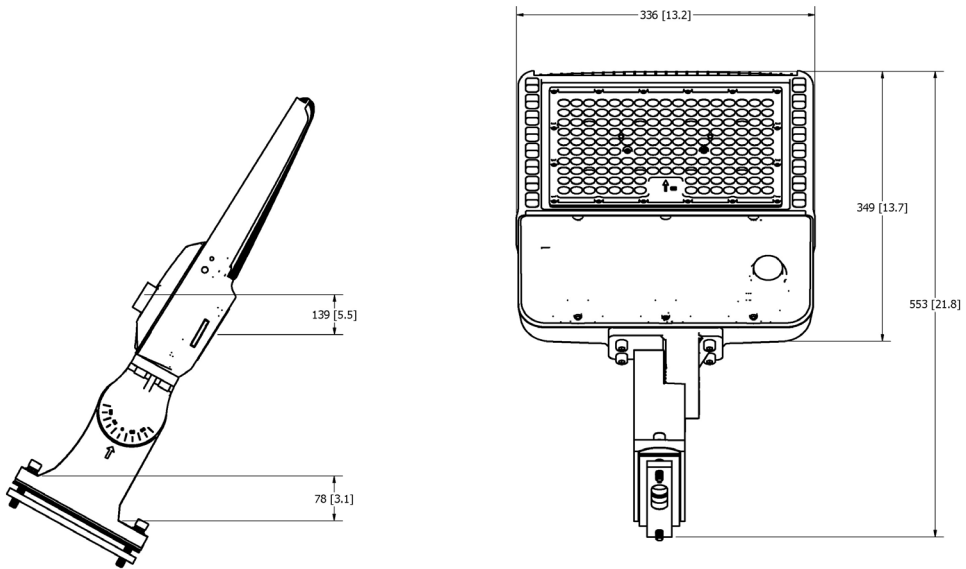
OPTICAL SHIELDS

FIXTURE FAMILY	OPTICAL SHIELD	POWER RANGE	FINISH
AE-OD-RZ	-OS	-	-
AE-OD-RZ ERALUX Rizzuto Series outdoor area light fixture	-OS Back Optical Shield	-60-150W 60-150 Watts	-BK Black powder coat finish
			-BZ Bronze powder coat finish
		-200-300W 200-300 Watts	-WH ERALUX Nebula white powder coat finish*
			-AL Aluminum(RAL9006) powder coat finish*

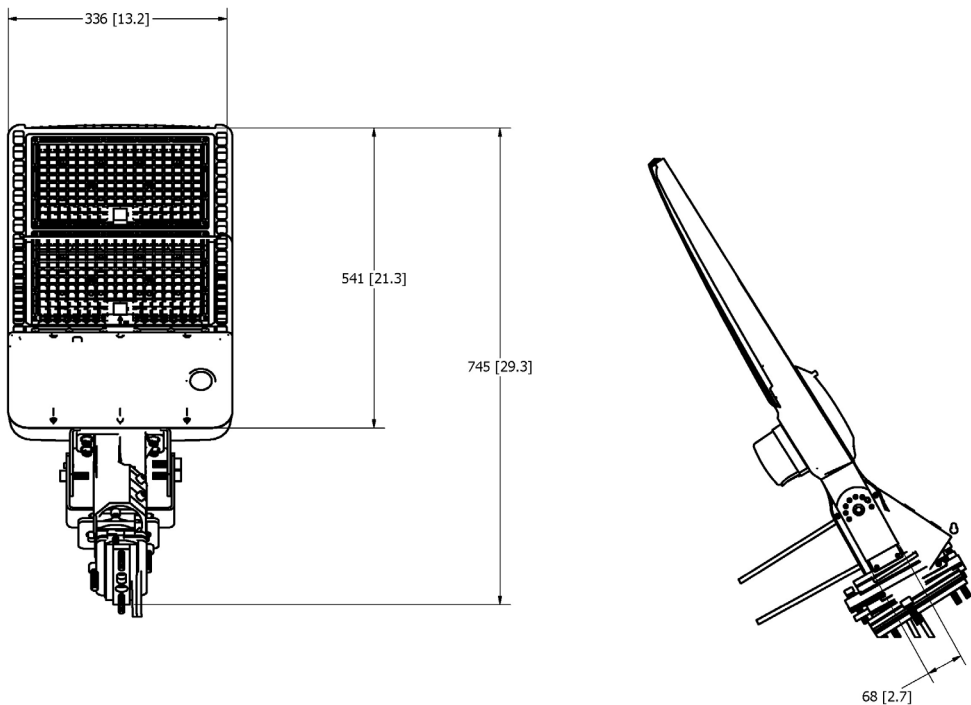
DATE	
PROJECT NAME	
TYPE	
QTY	
ORDERING CODE	AE-OD-RZ- - W -7 - -T - -

PRODUCT DIMENSIONS

AE-OD-RZ-100W, AE-OD-RZ-150W



AE-OD-RZ-200W, AE-OD-RZ-240W, AE-OD-RZ-300W



DATE	
PROJECT NAME	
TYPE	
QTY	
ORDERING CODE	AE-OD-RZ- - W -7 - -T - -

WEIGHT INFORMATION WITH ACCESSORIES

POWER	ACCESSORIES	WEIGHT
-100W	SF	5.9KG
	DI	6.1KG
	YM	5.51KG
	TR	5.8KG

POWER	ACCESSORIES	WEIGHT
-150W	SF	5.98KG
	DI	6.28KG
	YM	5.59KG
	TR	5.85KG

POWER	ACCESSORIES	WEIGHT
-200W	SF	8.55KG
	DI	8.85KG
	YM	8.16KG
	TR	8.41KG

POWER	ACCESSORIES	WEIGHT
-300W	SF	9.15KG
	DI	9.45KG
	YM	8.76KG
	TR	9.05KG

EPA (Effective Projected Area) WITH ACCESSORIES

POWER	ACCESSORIES	EPA
100W & 150W	SF	0.432 FT ²
	DI	0.507 FT ²
	SR	0.516 FT ²
	TR	0.342 FT ²
	YM	0.385 FT ²

POWER	ACCESSORIES	EPA
200W & 300W	SF	0.587 FT ²
	DI	0.673 FT ²
	SR	0.656 FT ²
	TR	0.481 FT ²
	YM	0.579 FT ²

B-U-G RATING

POWER	DISTRIBUTION	B-U-G
100W	T2	B3-U3-G3
	T3	B3-U3-G3
	T4	B3-U2-G3
	T5	B4-U3-G2
150W	T2	B3-U3-G3
	T3	B3-U3-G3
	T4	B4-U3-G4
	T5	B4-U3-G2
200W	T2	B4-U3-G4
	T3	B4-U3-G4
	T4	B4-U3-G4
	T5	B5-U3-G3
300W	T2	B4-U3-G4
	T3	B4-U3-G4
	T4	B5-U3-G4
	T5	B5-U3-G4

DATE	
PROJECT NAME	
TYPE	
QTY	
ORDERING CODE	AE-OD-RZ- - W -7 - - -T - -

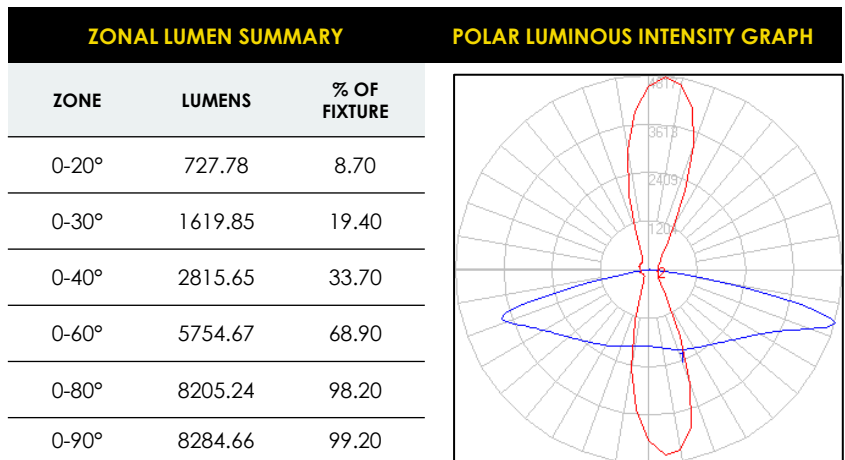
LUMEN ESTIMATE

Lumen output varies based on CCT and CRI. An estimate of lumen output of the various CCT/CRI combinations, use correction factors as per table below:

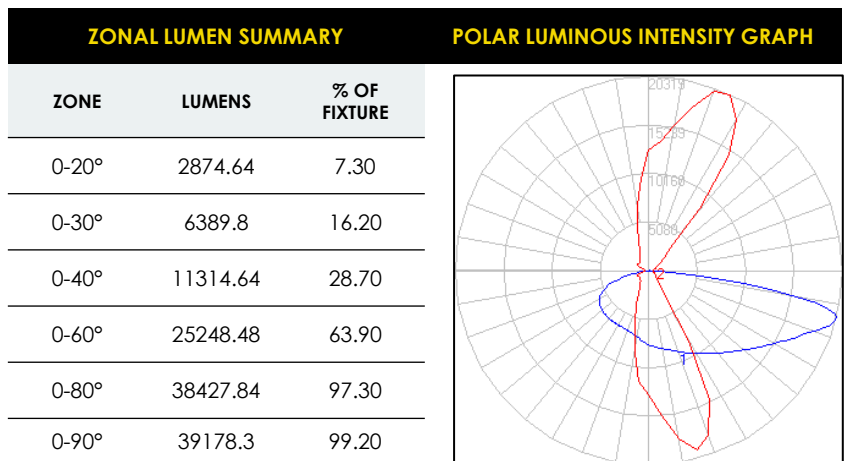
LUMEN ESTIMATE ADJUSTMENT FACTORS				
CCT	2700K	3000K	3500K	4000K
70 CRI	0.91	0.94	0.97	1

PHOTOMETRIC DATA

AE-OD-RZ-60W-750-XU-T2-X-XX
TYPE 2 DISTRIBUTION
60 WATTS
5000K CCT
70 CRI



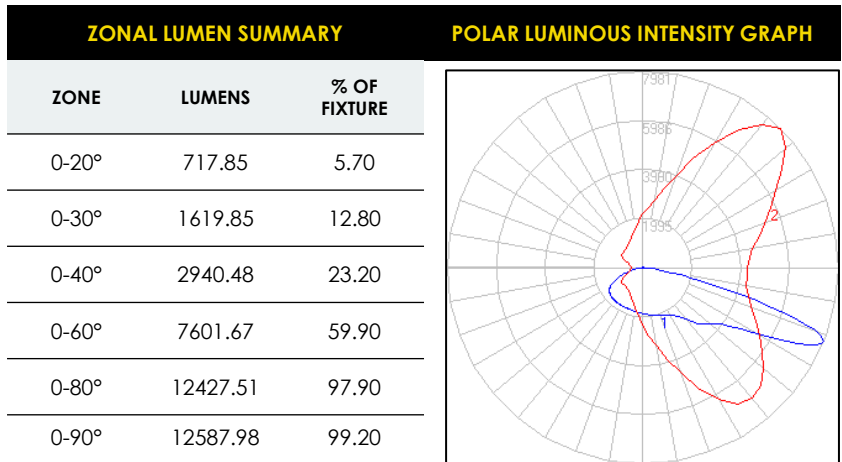
AE-OD-RZ-300W-750-XU-T3-X-XX
TYPE 3 DISTRIBUTION
300 WATTS
70 CRI
5000K CCT



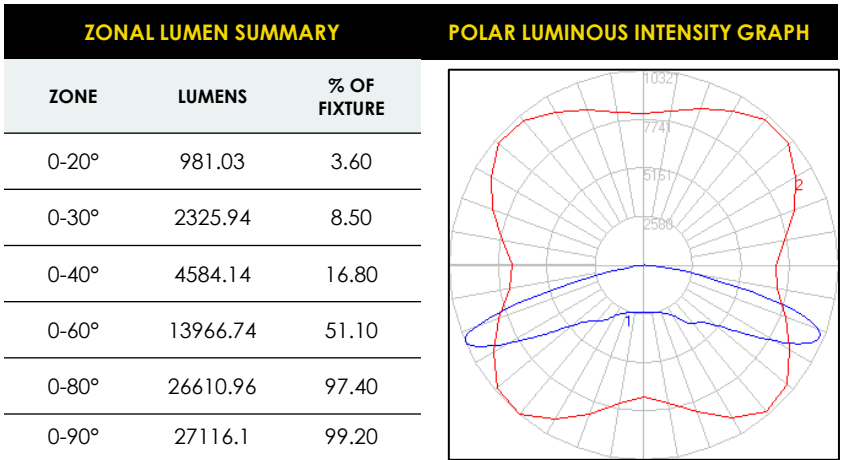
DATE	
PROJECT NAME	
TYPE	
QTY	
ORDERING CODE	AE-OD-RZ- - W -7 - -T - -

PHOTOMETRIC DATA(CONTINUED)

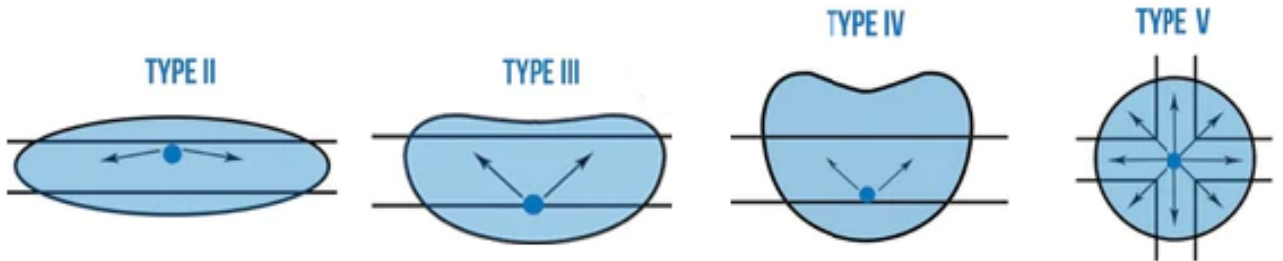
AE-OD-RZ-100W-750-XU-T4-X-XX
 TYPE 4 DISTRIBUTION
 100 WATTS
 5000K CCT
 70 CRI



AE-OD-RZ-200W-750-XU-T5-X-XX
 TYPE 5 DISTRIBUTION
 200 WATTS
 5000K CCT
 70 CRI



Light Distribution



DATE	
PROJECT NAME	
TYPE	
QTY	
ORDERING CODE	AE-OD-RZ- - W -7 - -T - -

OVERVIEW

MULTIPLE MOUNTING STYLES

Rizzuto area light is compatible, and factory mounted to your choice of mounting method from direct bracket, yoke or slip fitter option.



ENERGY EFFICIENT

High-efficacy output of 130 lumen per watt at 70 CRI.

PROTECTION

IP65 waterproof and 3G vibration tested conforms to ANSI standards.

ACCESSORIES

Choose from a range of accessories from optical shields to photocell caps.

PREMIUM MATERIALS & DESIGN

Constructed out of aluminum die cast for enhanced thermal heat dissipation for long lasting LED and driver function. Heat sink constructed into the fixture's housing to facilitate heat transfer.

