

ROSETTA

TRACK LIGHTING

Track Fixture



eralux®



The ROSETTA series is an elegant track fixture feature a sleek heatsink and an integrated driver. This tracklight delivers up to 1050 lumens despite its size and no apparent heatsinking to provide a smooth design. It is sought after for implementations in fashion stores to enhance product looks with its premium color point. This product comes standard at 90 CRI.

DATE	
PROJECT NAME	
TYPE	
QTY	
ORDERING CODE	AE-TL-RS 12 P

OPERATING & ELECTRICAL

INPUT VOLTAGE	120 V
POWER FACTOR	>0.9
DIMMING	Triac dimming
TOTAL HARMONIC DISTORTION (THD)	<20%

PERFORMANCE

LUMENS PER WATT	72-85 LPW at 90CRI
POWER CONSUMPTION	9W, 14W
DISTRIBUTION	Narrow flood, Flood, Wide flood

MECHANICAL & HOUSING

HOUSING	Die casting aluminum for increased rigidity and strength
LENS	Highly durable polycarbonate and high transmittance lens
FINISH	Black, White
POWER SUPPLY	Factory wired electronic LED driver
LED BOARD	COB

APPLICATION CONDITION

AMBIENT TEMPERATURE RANGE	-10 °C to 35°C
---------------------------	----------------

COMPATIBLE MOUNTING

MOUNTING	Juno Global Halo Lightolier
----------	--------------------------------------

WARRANTY

SYSTEM WARRANTY – 5 YEARS

Eralux will warrant defective drivers, LEDs and boards for 5 years from the date of purchase. This warranty is valid only if the fixture is installed and used as per installation guides and specifications. If a defect is present, Eralux will send drivers and boards at no fee with a thorough replacement instructions along with instructions on the return of the defective parts back to Eralux.

LUMEN MAINTENANCE – L70 at 50,000 hours

Rated for 70% initial lumen output at 50,000 hours of operation, operated at 25°C ambient temperature; per guidelines published by the Illuminating Engineering Society (IES)

DATE						
PROJECT NAME						
TYPE						
QTY						
ORDERING CODE	AE-TL-RS		12	P		

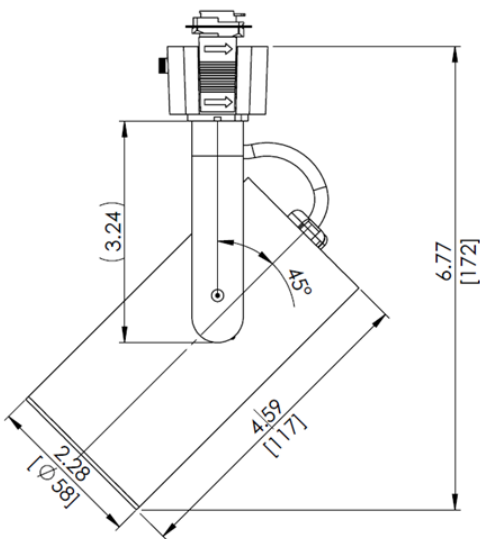
ORDERING GUIDE

EXAMPLE: AE-TL-RS0912WFP30J1BK

FIXTURE FAMILY	LUMEN	INPUT VOLTAGE	DISTRIBUTION	CRI	CCT	ADAPTER	FINISH
AE-TL-RS		12		P			
AE-TL-RS ERALUX Rosetta Series track light	09 9 watts: 690 lumens	12 120V	NF Narrow Flood light distribution 19°	P Premium 90 CRI	27 2700K CCT	J1 Juno mounting system	BK Black powder coat finish
	11 14 watts: 1,050 lumens		FL Flood Light distribution 26°		30 3000K CCT	G1 Global mounting system	
			35 3500K CCT		H1 Halo mounting system		
		WF Wide Flood Light distribution 31°	40 4000K CCT	L1 Lightolier mounting system			

PRODUCT DIMENSIONS

AE-TL-RS09, AT-TL-RS11



ACCESSORIES

Ordered separately, field installed

FIXTURE FAMILY	ACCESSORY	PICTURE
AE-TL-RS-		
AE-TL-RS-	HX Hexcell Louver	
	SNT-BK Snoot Black	
	SNT-WH Snoot White	

DATE				
PROJECT NAME				
TYPE				
QTY				
ORDERING CODE	AE-TL-RS	12	P	

LUMEN ESTIMATE

Lumen output varies based on CCT and CRI. An estimate of lumen output of the various CCT/CRI combinations, use correction factors as per table below:

LUMEN ESTIMATE ADJUSTMENT FACTORS				
CCT	2700K	3000K	3500K	4000K
PREMIUM (90CRI)	.78	.81	.84	.86
SUPERIOR (HIGH GAI)	N/A	.73	.78	N/A

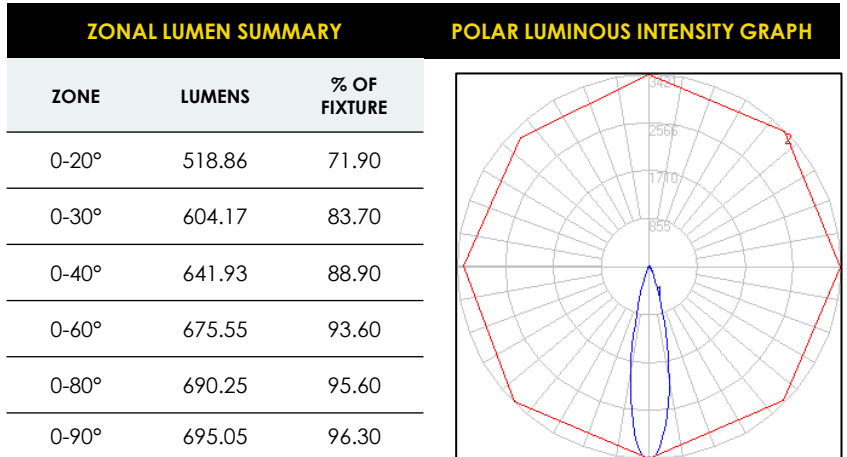
PHOTOMETRIC DATA

AE-TL-RS0912FLP30X1XX

9 Watts

Flood

3000K CCT

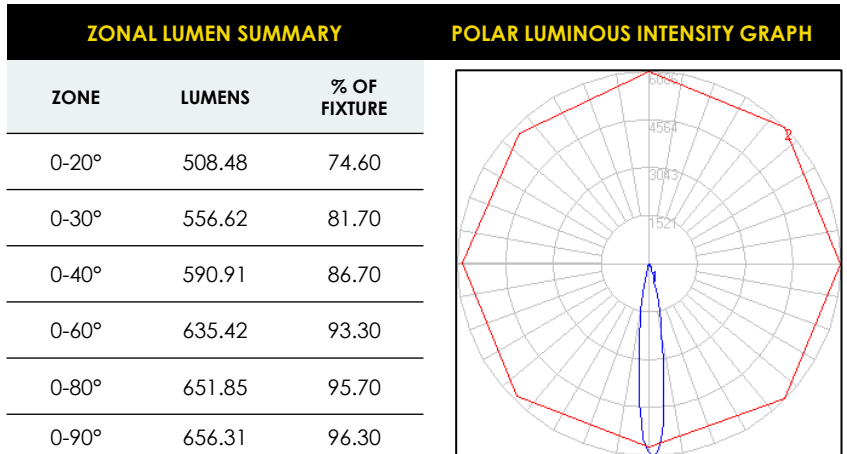


AE-TL-RS0912NFP30X1XX

9 Watts

Narrow Flood

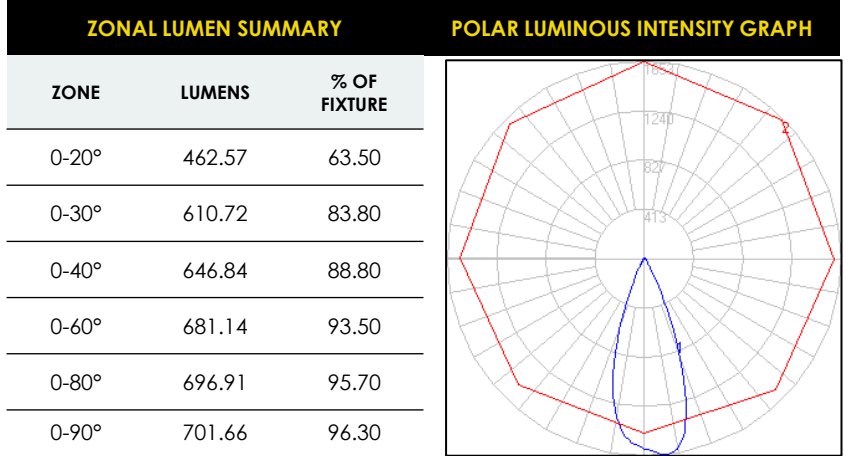
3000K CCT



DATE					
PROJECT NAME					
TYPE					
QTY					
ORDERING CODE	AE-TL-RS	12	P		

PHOTOMETRIC DATA (CONTINUE)

AE-TL-RS0912WFP30X1XX
 9 Watts
 Wide Flood
 3000K CCT



DIMMER COMPATIBILITY LIST (9W & 11W)

TRIAC/ELV Dimmer @120VAC
Leviton 6602-X
Leviton 6681-X
Leviton 6683-X
Leviton 6684-X
Leviton 700-X
Leviton 705-X
Leviton 6633
Leviton IPI06-1LZ
Cooper 9530XXX
Lightolier MP600X
Advance SR150LED120

TRIAC/ELV Dimmer @120VAC
Lutron DVLV-600P
Lutron NFTU-5A
Lutron GL-600H
Lutron S2-LX
Lutron SLV-600X

DATE					
PROJECT NAME					
TYPE					
QTY					
ORDERING CODE	AE-TL-RS		12	P	

OVERVIEW



MULTIPLE MOUNTING ADAPTERS

Choose from any of the popular track systems such as Juno, Halo, Lightolier, or Global.

PREMIUM DESIGN

Aluminum die-cast materials selected for efficient thermal heat dissipation, enhanced structural rigidity maximizing LED life and driver function.

PAINT FINISH

Factory standard in black, and white. Contact for custom paint finishes to enhance your fixture to suit your project space.

ACCESSORIES

Hexcell louvers, and snoots available to help further customize your track fixtures and provide a specific look and beam distribution that your project space requires.

MULTIPLE OPTIONS

Customize your track head by selecting from a variety of CCT, CRI and beam angle options.

