

SAPPHIRE ET7016

OUTDOOR PRODUCTS
ACCENT LIGHT



eralux®



The Sapphire is an LED accent light with multiple beam patterns and retractable shrouds, 360° rotatable and 180° tilttable, ideally suited for accent lighting. The miniature size makes its appearance unobtrusive. NPT 0.5" stem with choices of mounting accessories allow installation on hard surfaces. It is TRIAC dimming compatible.

DATE	
PROJECT NAME	
TYPE	
QTY	
ORDERING CODE	AE-OD-ET7016 -C - - -80 - - -

OPERATING & ELECTRICAL

INPUT VOLTAGE	100-277 Vac
POWER FACTOR	0.9
DIMMING	TRIAC dimming
TOTAL HARMONIC DISTORTION (THD)	<20%

PERFORMANCE

LUMENS PER WATT	79 LPW at 80CRI
POWER CONSUMPTION	4W 8W
BEAM ANGLE	15°, 25°, 38°, 45°, 60°

MECHANICAL & HOUSING

HOUSING	Aluminum die cast
LENS	Highly durable, shatterproof tempered glass lens ensures high efficiency light output for a clean, evenly illuminated surface with minimal glare.
FINISH	ERALUX White powder coat ERALUX Black powder coat Gray (RAL9006) powder coat
POWER SUPPLY	Factory wired electronic LED driver
LED BOARD	COB

APPLICATION CONDITION

AMBIENT TEMPERATURE RANGE	-25 °C to 50°C
PROTECTION	IP65

COMPATIBLE MOUNTING

MOUNTING	Wall mount Floor mount
----------	---------------------------

WARRANTY

SYSTEM WARRANTY – 5 YEARS

Eralux will warrant defective drivers, LEDs and boards for 5 years from the date of purchase. This warranty is valid only if the fixture is installed and used as per installation guides and specifications. If a defect is present, Eralux will send drivers and boards at no fee with a thorough replacement instructions along with instructions on the return of the defective parts back to Eralux.

LUMEN MAINTENANCE – L85 at 50,000 hours

Rated for 85% initial lumen output at 50,000 hours of operation, operated at 25°C ambient temperature; per guidelines published by the Illuminating Engineering Society (IES)

SAPPHIRE ET7016

OUTDOOR PRODUCTS
ACCENT LIGHT

DATE							
PROJECT NAME							
TYPE							
QTY							
ORDERING CODE	AE-OD-ET7016	-C	-	-	-80	-	-

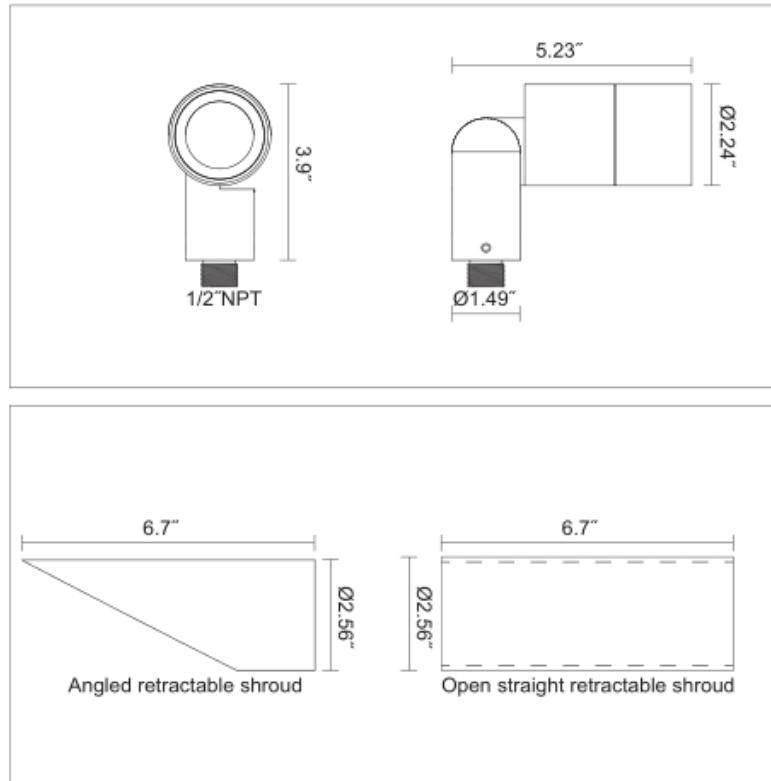
ORDERING GUIDE

EXAMPLE: AE-OD-ET7016-C4-3-15-80-NS-B-MTB

FIXTURE FAMILY	POWER	CCT	BEAM ANGLE	CRI	ACCESSORIES	FINISH	MOUNTING
AE-OD-ET7016	-C	-	-	-80	-	-	-
AE-OD-ET7016 ERALUX Sapphire ET7016 outdoor accent light fixture	-C4 4 watts: 150 lumens	-3 3000K CCT	-15 15° beam angle	-80 80 CRI	-NS No shroud	-B Black powder coat finish	-BLANK
			-C8 8 watts: 300 lumens		-4 4000K CCT		-25 25° beam angle
	-30 30° beam angle	-OS Straight shroud				-S Silver (RAL9006) powder coat finish	-MTB Bracket B
							-MTJ Junction Box
							-MTJS Junction Box with Stake

DIMENSIONS

AE-OD-ET7016-CX-X-XX-80-XX-X



eralux® SAPPHIRE ET7016

OUTDOOR PRODUCTS
ACCENT LIGHT

DATE	
PROJECT NAME	
TYPE	
QTY	
ORDERING CODE	AE-OD-ET7016 -C - - -80 - - -

MOUNTING ACCESSORIES



AE-OD-ET7016-ACC-MTA



AE-OD-ET7016-ACC-MTB



AE-OD-ET7016-ACC-MTC



AE-OD-ET7016-ACC-MTJ



AE-OD-ET7016-ACC-MTJS

LUMEN ESTIMATE

Lumen output varies based on CCT and CRI. An estimate of lumen output of the various CCT/CRI combinations, use correction factors as per table below:

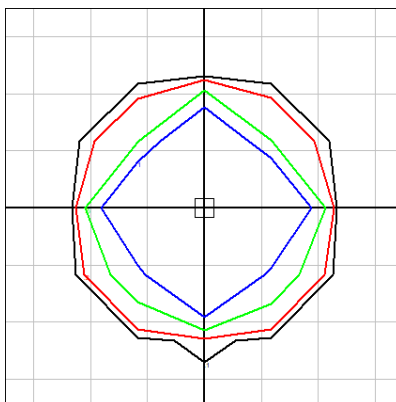
LUMEN ESTIMATE ADJUSTMENT FACTORS

CCT	2700K	3000K	3500K	4000K
NORMAL (80CRI)	.94	1	1.02	1.03

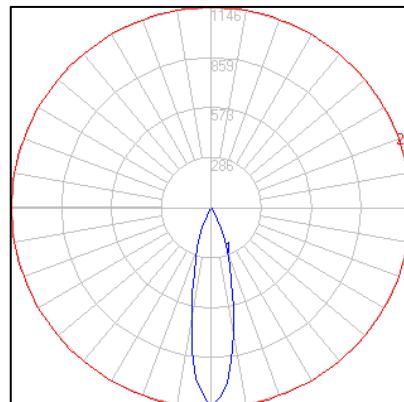
PHOTOMETRIC DATA

AE-OD-ET7016-C8-3-25-80-XX-X

GRID DISTANCES WITH A MOUNTING HEIGHT OF 10' AFG



POLAR LUMINOUS INTENSITY GRAPHS



DATE							
PROJECT NAME							
TYPE							
QTY							
ORDERING CODE	AE-OD-ET7016	-C	-	-	-80	-	-

OVERVIEW



PREMIUM MATERIALS

Constructed from aluminum die-cast enhancing thermal heat dissipation while providing excellent figure strength.

MULTIPLE FINISH OPTIONS

Select from black, white, or silver powder coat anti-cracking finishes to accent your project space.

CRI

80 CRI provides greater rendering allowing for a more natural light look.

ACCESSORIES

Several shroud attachments available including angled-shroud (AS), or straight-shroud (OS) providing your fixture a covered lens and a unique appearance.

