

LUMINA T

INDUSTRIAL LED LIGHT

High Bay UFO | 500/400/300W

The Lumina T Series industrial luminaire boasts a luminous efficacy of 150 LPW with switchable power options of 500, 400, and 300 watts, along with CCT switching at 3000K, 4000K, and 5000K. Constructed from robust materials, it is designed to endure challenging environments. With its high lumen efficacy and standard IP65 rating, the Lumina series is an excellent choice for harsh conditions.

Application: Industrial, Manufacturing, Warehouse, High-bay applications, Pools.

eralux®

	DATE	QTY	ACC. QTY	TYPE
PROJECT				
PN				
ACCESSORY PN				
NOTES				



DYNAMIC MENU

Order Information	Page 2
Dimensions	Page 2
Accessories	Page 3
Photometric Data	Page 5

[Install Instruction link](#)

SPECIFICATIONS

Input Voltage	120-347V
Power Factor	>0.9
Total Harmonic Distortion	<20%
Dimming	0-10V Dimming
CRI	80 CRI
CCT	<div style="display: flex; gap: 10px;"> <div style="border: 1px solid gray; border-radius: 50%; padding: 2px 5px;">35K</div> <div style="border: 1px solid gray; border-radius: 50%; padding: 2px 5px;">40K</div> <div style="border: 1px solid gray; border-radius: 50%; padding: 2px 5px;">50K</div> </div>
Lumens Per Watt	~150 LPW
Power	500/400/300W
Ambient Temperature Range	-40 °C to 50°C
Distribution	90°
Mounting Options	Hook
Protection	IP65



PRODUCT FEATURES



PRODUCT CERTIFICATIONS



“Design Lights Consortium® (DLC) qualified product. Not all versions of this product may be DLC qualified. Please check the DLC Qualified Products List at www.designlights.org/QPL to confirm which versions are qualified” [Page 6](#)

SYSTEM WARRANTY – 5 YEARS

Eralux will warrant defective drivers, LEDs and boards for 5 years from the date of purchase. This warranty is valid only if the fixture is installed and used as per installation guides and specifications. If a defect is present, Eralux will send drivers and boards at no fee with a thorough replacement instructions along with instructions on the return of the defective parts back to Eralux.

LUMEN MAINTENANCE – L70 at 50,000 hours

Rated for 70% initial lumen output at 50,000 hours of operation, operated at 25°C ambient temperature; per guidelines published by the Illuminating Engineering Society (IES).

LUMINA T

INDUSTRIAL LED LIGHT

High Bay UFO | 500/400/300W

ORDERING GUIDE

AE-IL-LMT		-500W		-3050	-BK
AE-IL-LMT ERALUX Lumina T High Bay UFO	-CA 120-347 Vac -HV 277-480 Vac	-500W 300/400/500W 45,000/60,000/75,000 Lm	-D 0-10V Dimming -MS Motion Sensor	-3050 CCT Switchable 30/40/50K	-BK Black

- Fixture Family
- Input Voltage
- Power
- Controls
- CCT
- Finish

ORDERING GUIDE - ACCESSORIES



[BLANK]

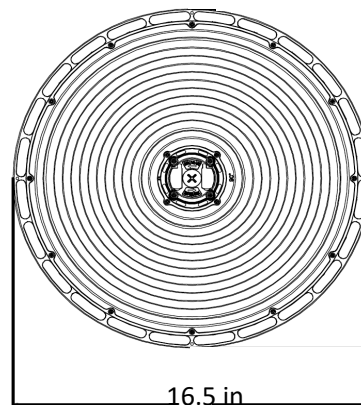
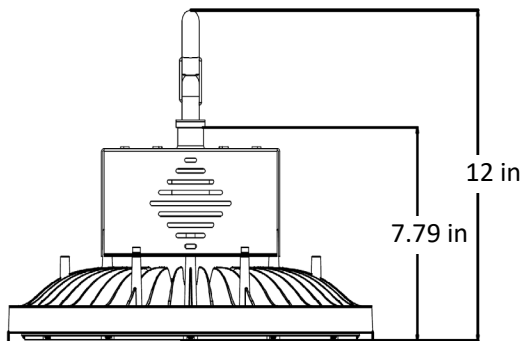
No EMBB

BLD-UM60D/R-YYY

60W Emergency Battery Backup

EMBB

DIMENSIONS



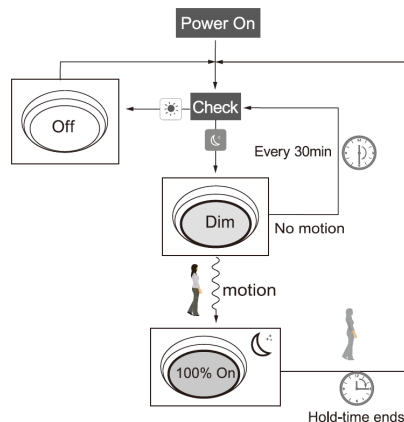
CONTROLS

MOTION SENSOR

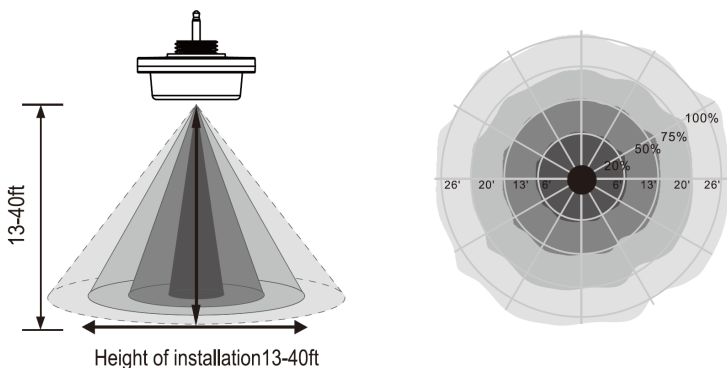
CODE	DESCRIPTION	PICTURE
AE-IL-SB2-CA-MSKIT	Plug in low-voltage microwave motion sensor	
AE-IL-SB2-CA-REMOTE-CTRL	Remote control for the motion sensor	

Factory mode

Factory Default Setting	
Sensitivity	100%
Hold on time	5 min
Daylight Sensor	ON
Dimming level	30%
Dimming time	30 min



Area Coverage



DLC MODELS



DLC MODEL	PRODUCT ID
AE-IL-LMTCA-500W-[DS;MS]-3050[WH;BK]	S-VKYRYW

CONTROLS

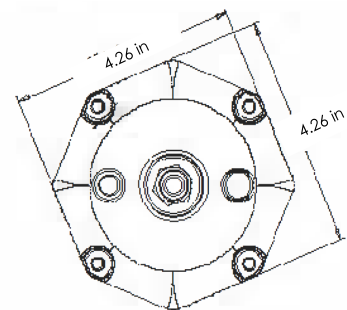
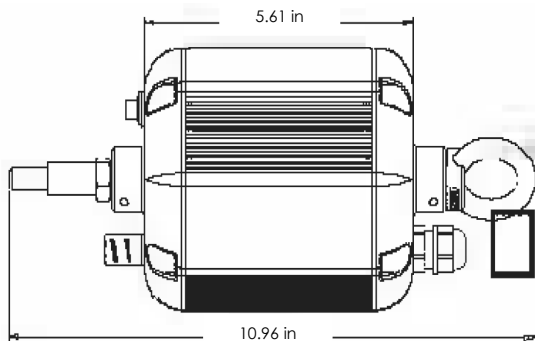
EMERGENCY LED DRIVER

Ordered separately, field installed
BLD-UM60D/R-YYY



SPECIFICATIONS	
Input Voltage	100-347 Vac
Power Frequency	50/60HZ
Input Power	15W MAX
Output Voltage	170V Dc
Output Power	60W
Ambient Temperature	5°C to 50°C
	41°F to 122°F
Installation	Remote

The BLD-UMXXX-YYY series LED Emergency Driver is UL listed for field and factory installation, allowing a single LED fixture to operate in both normal and emergency modes. In case of power failure, it powers the fixture for up to 90 minutes, integrating a battery, charger, and converter in one unit. Supporting LED loads of 30-60W at 170VDC, its constant power design ensures consistent illumination during emergencies, making it ideal for 0-10V dimmable indoor industrial LED fixtures, such as flat panels, troffers, and UFO lights.



LUMEN ESTIMATE

Lumen output varies based on CCT and CRI. An estimate of lumen output of the various CCT/CRI combinations, use correction factors as per table below:

LUMEN ESTIMATE ADJUSTMENT FACTORS			
CCT	3000K	4000K	5000K
PREMIUM (80CRI)	0.94	1	0.97

PHOTOMETRIC DATA

PART NUMBER		ZONAL LUMEN SUMMARY			POLAR LUMINOUS INTENSITY	CONE DISTRIBUTION			
AE-IL-LMT-CA-5000W-X-3050		Zone	Lumens	% Fixture	Direct Light	Center Beam Fc	Beam Width		
Wattage	300W	0-20°	9304.14	19.8		1.7ft	11157 fc	3.1 ft	3.0 ft
CCT	3000K	0-30°	19754.37	42		3.3ft	2961 fc	6.0 ft	5.9 ft
Distribution	90°	0-40°	31087.24	66		5.0ft	1290 fc	9.1 ft	8.9 ft
		0-60°	43447.66	92.3		6.7ft	718 fc	12.1 ft	11.9 ft
		0-80°	46419.35	98.6		8.3ft	468 fc	15.0 ft	14.7 ft
		0-90°	46599.51	99		10.0ft	322 fc	18.1 ft	17.8 ft
					■ Vert. Spread: 84.4° ■ Horiz. Spread: 83.2°				
AE-IL-LMT-CA-5000W-X-3050		Zone	Lumens	% Fixture	Direct Light	Center Beam Fc	Beam Width		
Wattage	400W	0-20°	11862.73	19.8		1.7ft	8743 fc	3.1 ft	3.0 ft
CCT	3000K	0-30°	25187.1	42		3.3ft	2320 fc	6.0 ft	5.8 ft
Distribution	90°	0-40°	39641.08	66		5.0ft	1011 fc	9.1 ft	8.8 ft
		0-60°	55408.27	92.3		6.7ft	563 fc	12.2 ft	11.8 ft
		0-80°	59200.23	98.6		8.3ft	367 fc	15.1 ft	14.7 ft
		0-90°	59430.46	99		10.0ft	253 fc	18.2 ft	17.7 ft
					■ Vert. Spread: 84.6° ■ Horiz. Spread: 82.9°				
AE-IL-LMT-CA-5000W-X-3050		Zone	Lumens	% Fixture	Direct Light	Center Beam Fc	Beam Width		
Wattage	500W	0-20°	13753.65	19.7		1.7ft	12934 fc	3.1 ft	3.0 ft
CCT	3000K	0-30°	29202.51	41.9		3.3ft	3432 fc	6.0 ft	5.9 ft
Distribution	90°	0-40°	45975.77	66		5.0ft	1495 fc	9.1 ft	8.9 ft
		0-60°	64277.03	92.3		6.7ft	833 fc	12.1 ft	11.9 ft
		0-80°	68673.16	98.6		8.3ft	543 fc	15.0 ft	14.7 ft
		0-90°	68938.99	99		10.0ft	374 fc	18.1 ft	17.7 ft
					■ Vert. Spread: 84.3° ■ Horiz. Spread: 83.2°				

OVERVIEW

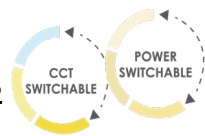


Innovative Design

- Aluminum die-cast and heat sink to ensure superior thermal heat dissipation



Multiple Options



- Power switchable 300/400/500W
- 3 CCT selectable; 30/35/40K

SIZE	POWER	LUMENS
500W	300/400/500W	22,500/18,750/15,000 Lm



ACCESSORIES

- EMBB.
- Motion Sensor



Motion Sensor



Emergency backup battery



Mountings Available

- Hook Mount.



Tests And Certifications

