

SB3

INDUSTRIAL FIXTURES

Round High Bay



The SB3 series is the latest addition by ERALUX to its strong portfolio of highbay fixtures with a white finish. This series features a 145 LPW performance made possible with the die cast aluminum design. It comes standard with the ability to upgrade to integrate motion sensor in the field. The SB3 series comes standard with CCT and Lumens Switchable capability; an ideal solution for warehouses, retail stores.

eralux®



DATE	
PROJECT NAME	
TYPE	
QTY	
ORDERING CODE	AE-IL-SB3-CA - -90 -3550 - - -WH

OPERATING & ELECTRICAL

INPUT VOLTAGE 120-347V

POWER FACTOR 0.9

DIMMING 0-10V

TOTAL HARMONIC DISTORTION (THD) <20%

MECHANICAL & HOUSING

HOUSING Aluminum Die Cast, Long lasting black with high durability

LENS Pc optical lens

FINISH Black, White

POWER SUPPLY Factory wired electronic LED driver

LED BOARD SMD

MOUNTING METHOD

MOUNTING Hook Mounted Pole Mounted

PERFORMANCE

LUMENS PER WATT 145 LPW at 80CRI

POWER CONSUMPTION 100W/125W/150W selectable
150W/200W/240W selectable

BEAM ANGLE Beam Angle 90°

APPLICATION CONDITION

AMBIENT TEMPERATURE RANGE -40 °C to 50°C

PROTECTION IP65
Wet Rated

WARRANTY

SYSTEM WARRANTY – 5 YEARS

Eralux will warrant defective drivers, LEDs and boards for 5 years from the date of purchase. This warranty is valid only if the fixture is installed and used as per installation guides and specifications. If a defect is present, Eralux will send drivers and boards at no fee with a thorough replacement instructions along with instructions on the return of the defective parts back to Eralux.

LUMEN MAINTENANCE – L70 at 50,000 hours

Rated for 70% initial lumen output at 50,000 hours of operation, operated at 25°C ambient temperature; per guidelines published by the Illuminating Engineering Society (IES)

"Not all product variations listed on this page are DLC qualified with the LUNA designation. Visit <https://qpl.designlights.org/> to confirm qualification."

DATE	
PROJECT NAME	
TYPE	
QTY	
ORDERING CODE	AE-IL-SB3-CA - -90 -3550 - - -WH

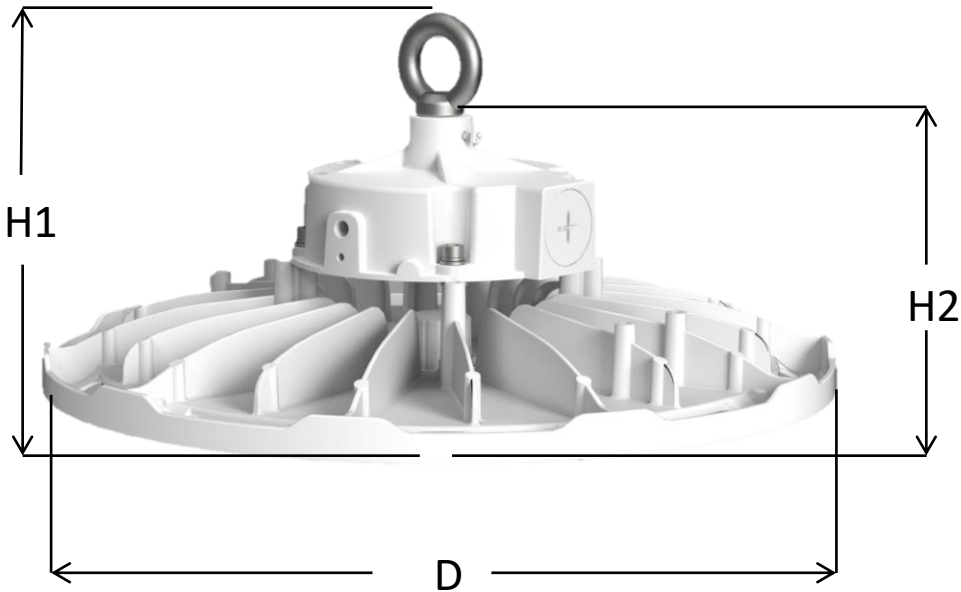
ORDERING GUIDE

EXAMPLE: AE-IL-SB3-CA-240W-90-3550-HK1-WH

FIXTURE FAMILY	POWER	LIGHT EMITTING ANGLE	CCT	Mounting	CONTROLS	FINISH
AE-IL-SB3-CA	-	-90	-3550	-	-	-WH
AE-IL-SB3-CA SB3 Series industrial fixtures round high bay	-150W 150/120/85 Watts; Up to 22,000 lumens	-90 90-degree light emitting angle	-3550 High Performance 3500K/4000K/5000K CCT Switchable	-HK1 Hook Mounted	-[LEAVE BLANK] 0-10V Dimming	-WH White Finish
	-240W 240/190/140 Watts; Up to 35,000 lumens			-PM* POLE Mounted	-MS Motion Sensor	

* Pole not included

PRODUCT DIMENSIONS





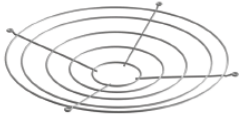
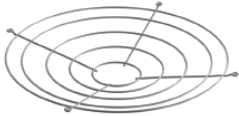






Power	Diameter (D)	Height 1 (H1)	Height 2(H2)
150W	10.2"(260 mm)	5.9"(154 mm)	4.1"(110 mm)
240W	13.4" (340 mm)	6.1" (164 mm)	4.3" (120 mm)

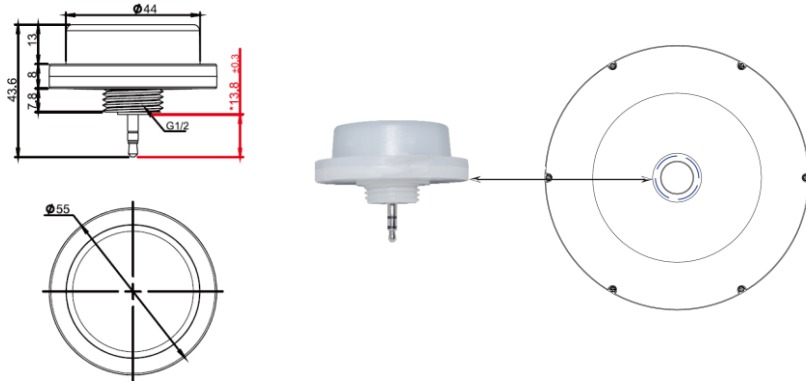
DATE							
PROJECT NAME							
TYPE							
QTY							
ORDERING CODE	AE-IL-SB3-CA	-	-90	-3550	-	-	-WH

ACCESSORIES

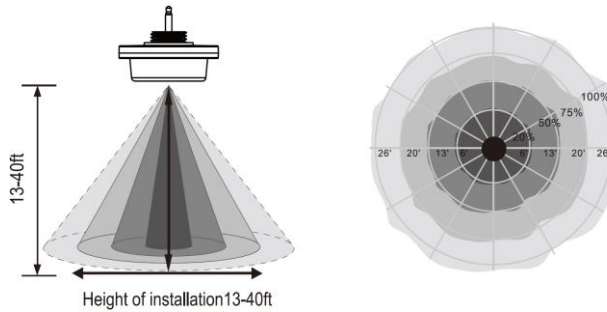
(Ordered separately)

PART NUMBER	DESCRIPTION	PICTURE
AE-IL-SB2-CA-MSKIT	Microwave motion sensor	
AE-IL-SB2-CA-REMOTE-CTRL	Remote Control	
AE-IL-SB3-CA- POLE MOUNT	Saber 3 Series Pole Mount	
AE-IL-SB3-CA-HK	Stainless Steel Spring Hook. Used in wet areas (Above pools)	
AE-IL-SB3-CA-WIREGUARD-240W	Saber 3 Series Wire Guard for 240W	
AE-IL-SB3-CA-WIREGUARD-150W	Saber 3 Series Wire Guard for 150W	
AE-IL-SB3-RFL-PC-240W	Polycarbonate reflector 200-240W	
AE-IL-SB3-RFL-PC-150W	Polycarbonate reflector 150W	
AE-IL-SB3-RFLCVR-240W	Polycarbonate reflector cover 240W * Need AE-IL-SB3-RFL-PC-240W	
AE-IL-SB3-RFLCVR-150W	Polycarbonate reflector cover -150W * Need AE-IL-SB3-RFL-PC-150W	

MOTION SENSOR

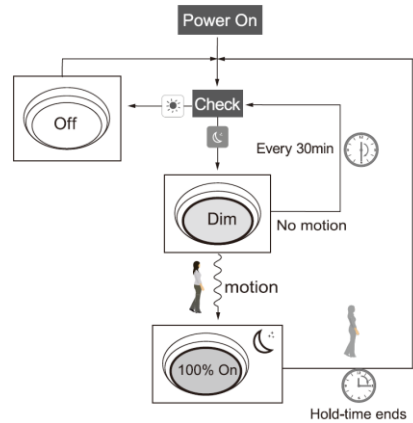


Area Coverage



Factory mode

Factory Default Setting	
Sensitivity	100%
Hold on time	5 min
Daylight Sensor	ON
Dimming level	30%
Dimming time	30 min



DATE							
PROJECT NAME							
TYPE							
QTY							
ORDERING CODE	AE-IL-SB3-CA	-	-90	-3550	-	-	-WH

ACCESSORIES (Continued)

Ordered separately, field installed

EMERGENCY LED DRIVER (BLD-UM60D/R-YYY)

BLD-UM60D/R-YYY

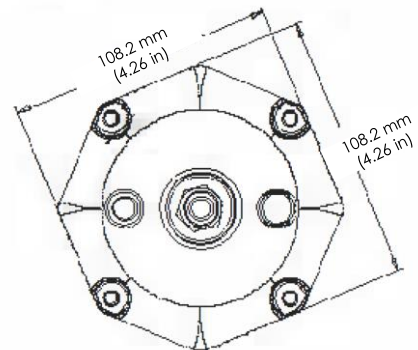
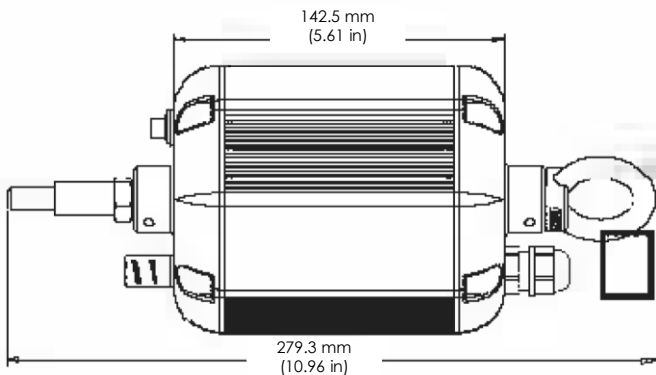
OUTPUT POWER : 60 WATTS



- Easy Wiring
- Certified For CA Title 20
- Constant Power Performance

BLD-UMXXX-YYY series LED Emergency Driver is UL listed for field and factory installation that allows the same LED fixture to be used for both normal and emergency operation. In the event of a power failure, the emergency driver switches to emergency mode and operates the fixture for to 90 minutes. The unit contains a battery, charge, and converter circuit in a single enclosure. This module will operate a LED array load at 30-60W with constant power at a rated output voltage of 170VDC. The constant power design of BLD-UMXXX-YYY maintains the output wattage to the LED array, providing consistent illumination for the entire emergency runtime. Ideal for use with most 0-10V dimmable indoor industrial LED lighting fixtures, such as LED flat panel, troffer, and suspension mounting UFOs lights, etc.

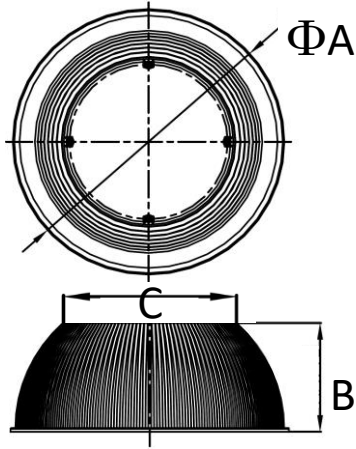
DIMENSIONS (inches and mm)



DATE						
PROJECT NAME						
TYPE						
QTY						
ORDERING CODE	AE-IL-SB3-CA	-	-90	-3550	-	-WH

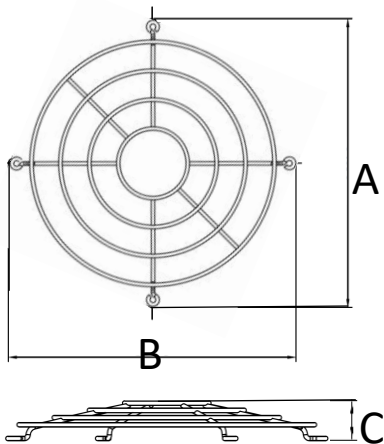
ACCESSORIES DIMENSIONS

Polycarbonate reflector



POWER	A	B	C
150W	412mm (16.22")	216mm (8.5")	271mm (10.66")
240W	480mm (18.89")	225mm (8.85")	328mm (12.91")

Wire guard



POWER	A	B	C
150W	247mm (9.72")	247mm (9.72")	27.5mm (1.08")
240W	314mm (12.36")	314mm (12.36")	28.2mm (1.11")

DATE							
PROJECT NAME							
TYPE							
QTY							
ORDERING CODE	AE-IL-SB3-CA	-	-90	-3550	-	-	-WH

LUMEN ESTIMATE

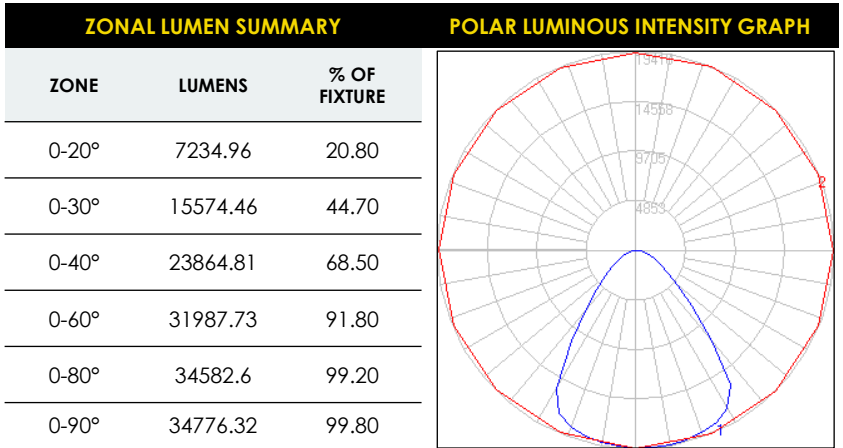
Lumen output varies based on CCT and CRI. An estimate of lumen output of the various CCT/CRI combinations, use correction factors as per table below:

LUMEN ESTIMATE ADJUSTMENT FACTORS				
CCT	2700K	3000K	3500K	4000K
NORMAL (80CRI)	.96	1	1.03	1.06

PHOTOMETRIC DATA

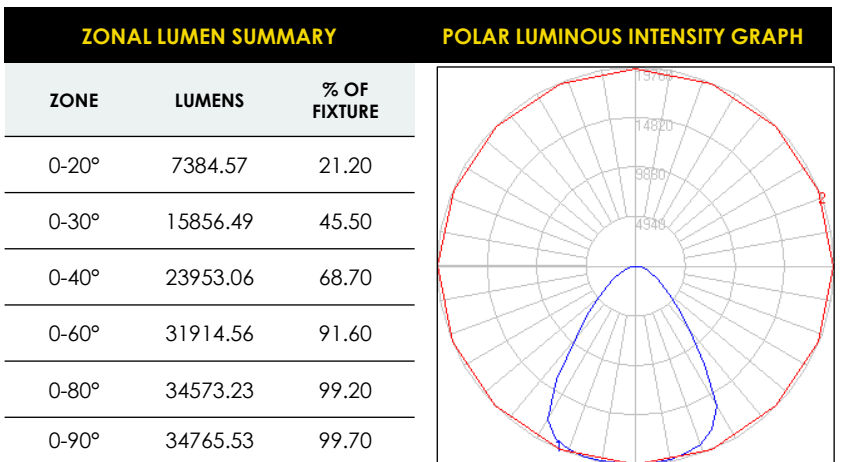
AE-TL-SB3-CA-240W-90-H-XX

- 3500K CCT
- 240 WATTS
- 120-347V



AE-TL-SB3-CA-240W-90-H-XX

- 5000K CCT
- 240 WATTS
- 120-347V



DATE							
PROJECT NAME							
TYPE							
QTY							
ORDERING CODE	AE-IL-SB3-CA	-	-90	-3550	-	-	-WH

DLC MODELS

DLC MODEL	PRODUCT ID
AE-IL-SB3-CA-240W-90-3550-HK1-WH(-MS,-EM,Blank,Both)	S-7QWVRH
AE-IL-SB3-CA-150W-90-3550-HK1-WH(-MS,-EM,Blank,Both)	S-GTZ5RS

OVERVIEW

MODERN MATERIALS

Aluminum die-cast ensures superior thermal heat dissipation providing long-lasting LED and driver function while increasing fixture housing strength.



FINISH OPTIONS

Nebula White Finish

VERSATILITY

Upgradeable for Motion sensor
Integrated CCT and power watchability.
Designed with a 90-degree beam angle



WIDE RANGE OF OPERATING VOLTAGE

Operational from 120V to 277V and 347V



ACCESSORIES

SB3 can be accessorized by a reflector and a reflector cover.