

# SB3

## INDUSTRIAL FIXTURES

Round High Bay



The SB3 series is the latest addition by ERALUX to its strong portfolio of highbay fixtures with a white finish. This series features a 145 LPW performance made possible with the die cast aluminum design. It comes standard with the ability to upgrade to integrate motion sensor in the field. The SB3 series comes standard with CCT and Lumens Switchable capability; an ideal solution for warehouses, retail stores.

# eralux®



|               |                                  |
|---------------|----------------------------------|
| DATE          |                                  |
| PROJECT NAME  |                                  |
| TYPE          |                                  |
| QTY           |                                  |
| ORDERING CODE | AE-IL-SB3-CA - -90 -3550 - - -WH |

### OPERATING & ELECTRICAL

INPUT VOLTAGE 120-347V

POWER FACTOR 0.9

DIMMING 0-10V

TOTAL HARMONIC DISTORTION (THD) <20%

### MECHANICAL & HOUSING

HOUSING Aluminum Die Cast, Long lasting black with high durability

LENS Pc optical lens

FINISH Black, White

POWER SUPPLY Factory wired electronic LED driver

LED BOARD SMD

### MOUNTING METHOD

MOUNTING Hook Mounted Pole Mounted

### PERFORMANCE

LUMENS PER WATT 145 LPW at 80CRI

POWER CONSUMPTION 100W/125W/150W selectable  
150W/200W/240W selectable

BEAM ANGLE Beam Angle 90°

### APPLICATION CONDITION

AMBIENT TEMPERATURE RANGE -40 °C to 50°C

PROTECTION IP65  
Wet Rated

### WARRANTY

#### SYSTEM WARRANTY – 5 YEARS

Eralux will warrant defective drivers, LEDs and boards for 5 years from the date of purchase. This warranty is valid only if the fixture is installed and used as per installation guides and specifications. If a defect is present, Eralux will send drivers and boards at no fee with a thorough replacement instructions along with instructions on the return of the defective parts back to Eralux.

#### LUMEN MAINTENANCE – L70 at 50,000 hours

Rated for 70% initial lumen output at 50,000 hours of operation, operated at 25°C ambient temperature; per guidelines published by the Illuminating Engineering Society (IES)



"DesignLights Consortium® (DLC) qualified product. Not all versions of this product may be DLC qualified. Please check the DLC Qualified Products List at [www.designlights.org/QPL](http://www.designlights.org/QPL) to confirm which versions are qualified"

|               |                                  |
|---------------|----------------------------------|
| DATE          |                                  |
| PROJECT NAME  |                                  |
| <b>TYPE</b>   |                                  |
| QTY           |                                  |
| ORDERING CODE | AE-IL-SB3-CA - -90 -3550 - - -WH |

**ORDERING GUIDE**

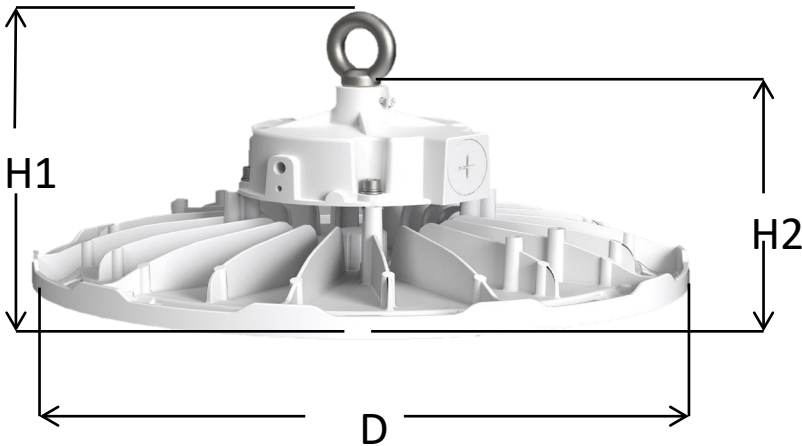
EXAMPLE: AE-IL-SB3-CA-240W-90-3550-HK1-WH

| FIXTURE FAMILY   | POWER   | LIGHT EMITTING ANGLE                         | CCT   | Mounting                    | CONTROLS                               | SPECIALTY                         | FINISH                     |
|--|---|--|---|-----------------------------|--|-----------------------------------|----------------------------|
| <b>AE-IL-SB3-CA</b>  | -   | <b>-90</b>                                   | <b>-3550</b>  | -                           | -                                      | -                                 | <b>-WH</b>                 |
| <b>AE-IL-SB3-CA</b><br>SB3 Series industrial fixtures round high bay | <b>-150W</b><br>150/120/85 Watts;<br>Up to 22,000 lumens  | <b>-90</b><br>90-degree light emitting angle | <b>-3550</b><br>High Performance 3500K/4000K/5000K CCT Switchable | <b>-HK1</b><br>Hook Mounted | <b>-[LEAVE BLANK]</b><br>0-10V Dimming | <b>-[LEAVE BLANK]</b><br>Standard | <b>-WH</b><br>White Finish |
|  | <b>-240W</b><br>240/190/140 Watts;<br>Up to 35,000 lumens |  |   | <b>-PM*</b><br>POLE Mounted |  |                                   |                            |

Pole not included

\*Lumens output for NAT fixtures will be 20% less than standard fixtures.

**PRODUCT DIMENSIONS**





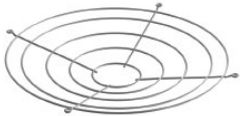
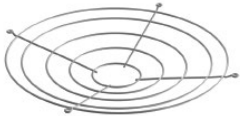






| Power | Diameter (D)   | Height 1 (H1) | Height 2(H2)  |
|-------|----------------|---------------|---------------|
| 150W  | 10.2"(260 mm)  | 5.9"(154 mm)  | 4.1"( 110 mm) |
| 240W  | 13.4" (340 mm) | 6.1" (164 mm) | 4.3" (120 mm) |

|               |                                  |
|---------------|----------------------------------|
| DATE          |                                  |
| PROJECT NAME  |                                  |
| <b>TYPE</b>   |                                  |
| QTY           |                                  |
| ORDERING CODE | AE-IL-SB3-CA - -90 -3550 - - -WH |

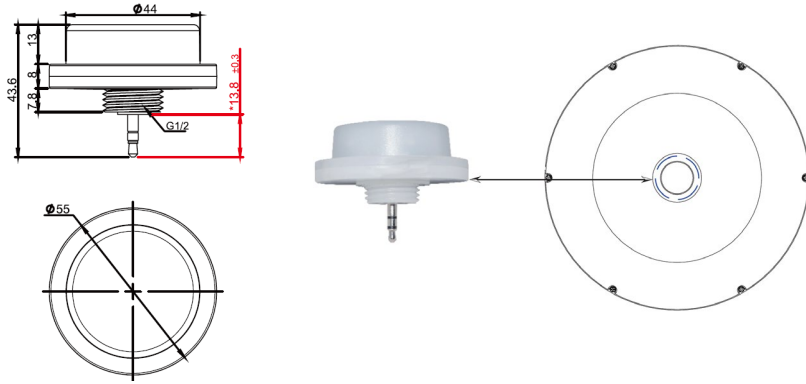
**ACCESSORIES**

(Ordered separately)

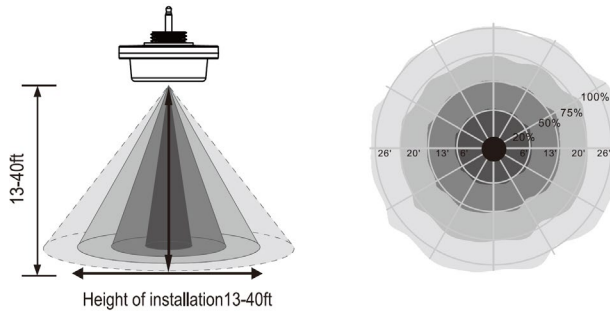
| PART NUMBER                 | DESCRIPTION  | PICTURE   |
|-----------------------------|--|---|
| AE-IL-SB2-CA-MSKIT          | Microwave motion sensor  |    |
| AE-IL-SB2-CA-REMOTE-CTRL    | Remote Control   |    |
| AE-IL-SB3-CA- POLE MOUNT    | Saber 3 Series Pole Mount  |    |
| AE-IL-SB3-CA-HK             | Stainless Steel Spring Hook.<br>Used in wet areas ( Above pools)           |  |
| AE-IL-SB3-CA-WIREGUARD-240W | Saber 3 Series Wire Guard for 240W   |  |
| AE-IL-SB3-CA-WIREGUARD-150W | Saber 3 Series Wire Guard for 150W   |  |
| AE-IL-SB3-RFL-PC-240W       | Polycarbonate reflector 200-240W   |  |
| AE-IL-SB3-RFL-PC-150W       | Polycarbonate reflector 150W   |  |
| AE-IL-SB3-RFLCVR-240W       | Polycarbonate reflector <b>cover</b> 240W<br>* Need AE-IL-SB3-RFL-PC-240W  |  |
| AE-IL-SB3-RFLCVR-150W       | Polycarbonate reflector <b>cover</b> -150W<br>* Need AE-IL-SB3-RFL-PC-150W |  |

|               |                                    |
|---------------|------------------------------------|
| DATE          |                                    |
| PROJECT NAME  |                                    |
| TYPE          |                                    |
| QTY           |                                    |
| ORDERING CODE | AE-IL-SB3-CA - -90 -3550 - - - -WH |

MOTION SENSOR

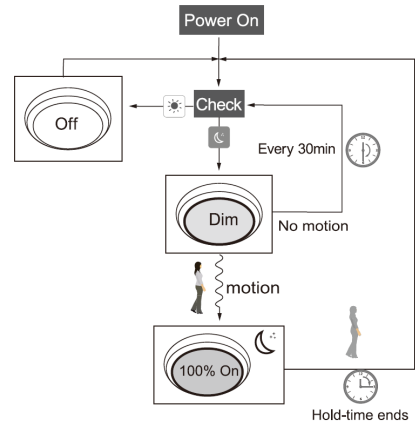


Area Coverage



Factory mode

| Factory Default Setting |        |
|-------------------------|--------|
| Sensitivity             | 100%   |
| Hold on time            | 5 min  |
| Daylight Sensor         | ON     |
| Dimming level           | 30%    |
| Dimming time            | 30 min |



|               |                                  |
|---------------|----------------------------------|
| DATE          |                                  |
| PROJECT NAME  |                                  |
| TYPE          |                                  |
| QTY           |                                  |
| ORDERING CODE | AE-IL-SB3-CA - -90 -3550 - - -WH |

**ACCESSORIES (Continued)**

Ordered separately, field installed

**EMERGENCY LED DRIVER (BLD-UM60D/R-YYY)**

BLD-UM60D/R-YYY

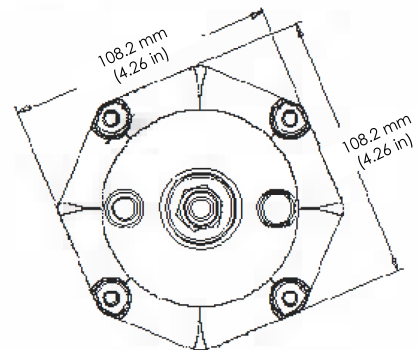
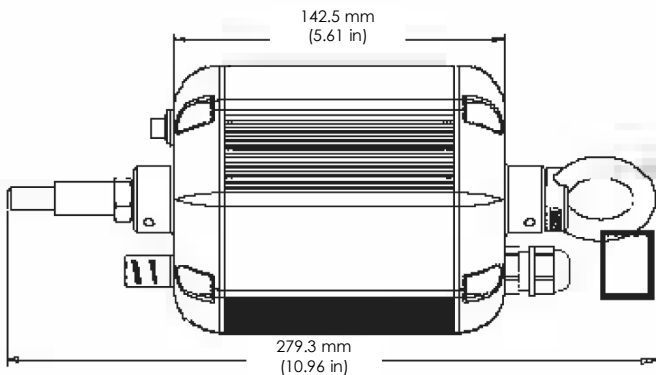
OUTPUT POWER : 60 WATTS



- Easy Wiring
- Certified For CA Title 20
- Constant Power Performance

BLD-UMXXX-YYY series LED Emergency Driver is UL listed for field and factory installation that allows the same LED fixture to be used for both normal and emergency operation. In the event of a power failure, the emergency driver switches to emergency mode and operates the fixture for to 90 minutes. The unit contains a battery, charge, and converter circuit in a single enclosure. This module will operate a LED array load at 30-60W with constant power at a rated output voltage of 170VDC. The constant power design of BLD-UMXXX-YYY maintains the output wattage to the LED array, providing consistent illumination for the entire emergency runtime. Ideal for use with most 0-10V dimmable indoor industrial LED lighting fixtures, such as LED flat panel, troffer, and suspension mounting UFOs lights, etc.

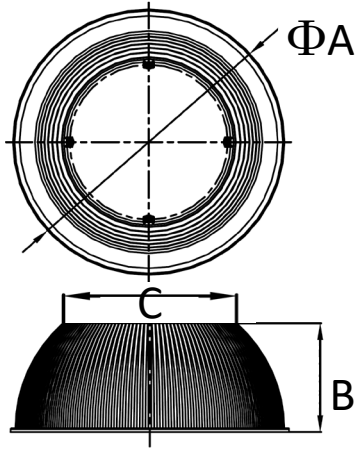
**DIMENSIONS (inches and mm)**



|               |              |   |     |       |   |   |     |
|---------------|--------------|---|-----|-------|---|---|-----|
| DATE          |              |   |     |       |   |   |     |
| PROJECT NAME  |              |   |     |       |   |   |     |
| <b>TYPE</b>   |              |   |     |       |   |   |     |
| QTY           |              |   |     |       |   |   |     |
| ORDERING CODE | AE-IL-SB3-CA | - | -90 | -3550 | - | - | -WH |

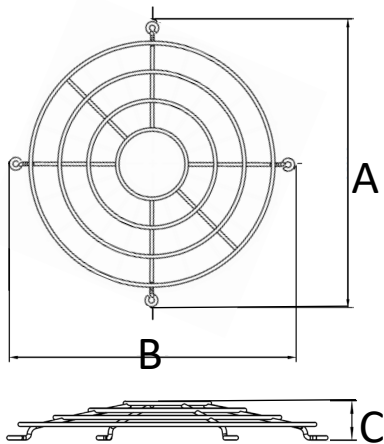
**ACCESSORIES DIMENSIONS**

Polycarbonate reflector



| POWER | A                 | B                | C                 |
|-------|-------------------|------------------|-------------------|
| 150W  | 412mm<br>(16.22") | 216mm<br>(8.5")  | 271mm<br>(10.66") |
| 240W  | 480mm<br>(18.89") | 225mm<br>(8.85") | 328mm<br>(12.91") |

Wire guard



| POWER | A                 | B                 | C                 |
|-------|-------------------|-------------------|-------------------|
| 150W  | 247mm<br>(9.72")  | 247mm<br>(9.72")  | 27.5mm<br>(1.08") |
| 240W  | 314mm<br>(12.36") | 314mm<br>(12.36") | 28.2mm<br>(1.11") |

|               |                                  |
|---------------|----------------------------------|
| DATE          |                                  |
| PROJECT NAME  |                                  |
| <b>TYPE</b>   |                                  |
| QTY           |                                  |
| ORDERING CODE | AE-IL-SB3-CA - -90 -3550 - - -WH |

## LUMEN ESTIMATE

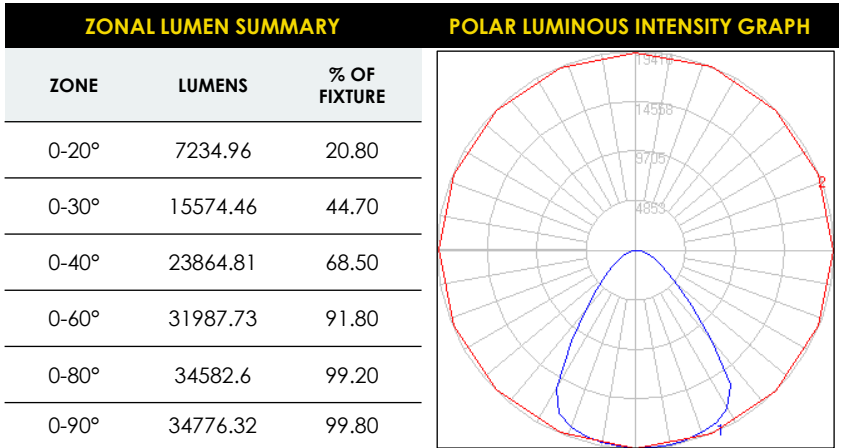
Lumen output varies based on CCT and CRI. An estimate of lumen output of the various CCT/CRI combinations, use correction factors as per table below:

| LUMEN ESTIMATE ADJUSTMENT FACTORS |       |       |       |       |
|-----------------------------------|-------|-------|-------|-------|
| CCT                               | 2700K | 3000K | 3500K | 4000K |
| NORMAL (80CRI)                    | .96   | 1     | 1.03  | 1.06  |

## PHOTOMETRIC DATA

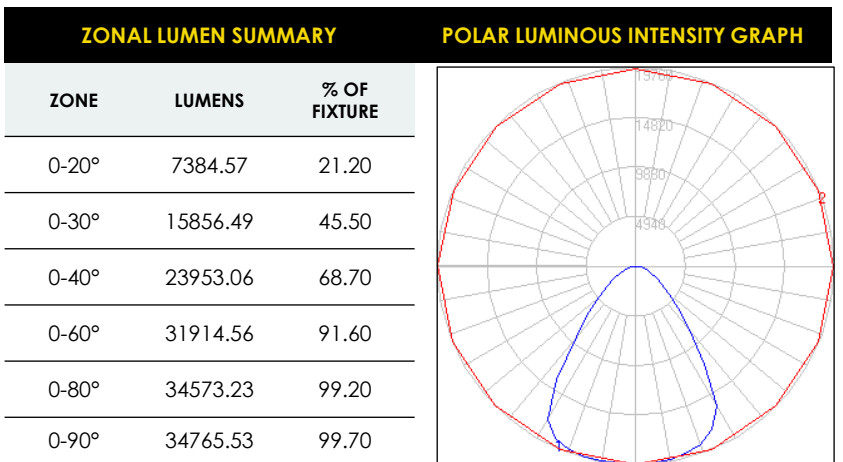
AE-TL-SB3-CA-240W-90-H-XX

- 3500K CCT
- 240 WATTS
- 120-347V



AE-TL-SB3-CA-240W-90-H-XX

- 5000K CCT
- 240 WATTS
- 120-347V



|               |              |   |     |       |   |   |     |
|---------------|--------------|---|-----|-------|---|---|-----|
| DATE          |              |   |     |       |   |   |     |
| PROJECT NAME  |              |   |     |       |   |   |     |
| TYPE          |              |   |     |       |   |   |     |
| QTY           |              |   |     |       |   |   |     |
| ORDERING CODE | AE-IL-SB3-CA | - | -90 | -3550 | - | - | -WH |

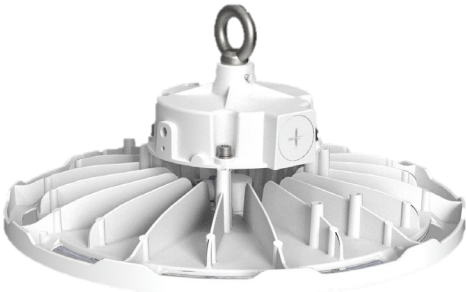
## DLC MODELS

| DLC MODEL  | PRODUCT ID |
|--|------------|
| AE-IL-SB3-CA-240W-90-3550-HK1-WH(-MS,-EM,Blank,Both) | S-7QWVRH   |
| AE-IL-SB3-CA-150W-90-3550-HK1-WH(-MS,-EM,Blank,Both) | S-GTZ5RS   |

## OVERVIEW

### MODERN MATERIALS

Aluminum die-cast ensures superior thermal heat dissipation providing long-lasting LED and driver function while increasing fixture housing strength.



### FINISH OPTIONS

Nebula White Finish

### VERSATILITY

Upgradeable for Motion sensor  
Integrated CCT and power watchability.  
Designed with a 90-degree beam angle



### WIDE RANGE OF OPERATING VOLTAGE

Operational from 120V to 277V and 347V



### ACCESSORIES

SB3 can be accessorized by a reflector and a reflector cover.