

SB3

INDUSTRIAL LED LIGHT

High Bay UFO | 150-240W

The SB3 series is ERALUX's newest offering in its robust range of highbay fixtures, distinguished by a sleek white finish. This series delivers an impressive performance of 145 LPW, thanks to its durable die-cast aluminum construction. It is designed with the option for field integration of a motion sensor. Additionally, the SB3 series features switchable CCT and lumens capabilities, with power options of 150/120/85 watts and 240/190/140 watts, making it an excellent choice for warehouses and retail environments.

Application: Industrial, Manufacturing, Warehouse, High-bay applications, Pools.

eralux®

	DATE	QTY	ACC. QTY	TYPE
PROJECT				
PN				
ACCESSORY PN				
NOTES				



DYNAMIC MENU

Order Information	Page 2
Dimensions	Page 3
Accessories	Page 4
Photometric Data	Page 7

[Install Instruction link](#)

SPECIFICATIONS

Input Voltage	120-347V
Power Factor	>0.9
Total Harmonic Distortion	<20%
Dimming	0-10V Dimming
CRI	80 CRI
CCT	<div style="display: flex; gap: 10px;"> <div style="border: 1px solid gray; border-radius: 50%; padding: 2px 5px;">35K</div> <div style="border: 1px solid gray; border-radius: 50%; padding: 2px 5px;">40K</div> <div style="border: 1px solid gray; border-radius: 50%; padding: 2px 5px;">50K</div> </div>
Lumens Per Watt	~145 LPW
Power	85 120 150W 140 190 240W
Ambient Temperature Range	-40 °C to 50 °C
Distribution	90°
Mounting Options	Hook Pendant- 3/4" NPT conduit
Options	Natatorium
Protection	IP65 Wet Rated



PRODUCT FEATURES



PRODUCT CERTIFICATIONS



"Design Lights Consortium® (DLC) qualified product. Not all versions of this product may be DLC qualified. Please check the DLC Qualified Products List at www.designlights.org/QPL to confirm which versions are qualified" [Page 8](#)

SYSTEM WARRANTY – 5 YEARS

Eralux will warrant defective drivers, LEDs and boards for 5 years from the date of purchase. This warranty is valid only if the fixture is installed and used as per installation guides and specifications. If a defect is present, Eralux will send drivers and boards at no fee with a thorough replacement instructions along with instructions on the return of the defective parts back to Eralux.

LUMEN MAINTENANCE – L70 at 100,000 hours

Rated for 70% initial lumen output at 50,000 hours of operation, operated at 25°C ambient temperature; per guidelines published by the Illuminating Engineering Society (IES).

INDUSTRIAL LED LIGHT High Bay UFO | 150-240W

ORDERING GUIDE

AE-IL-SB3-CA		-90	-3550				-WH
AE-IL-SB3-CA ERALUX SB3 High Bay UFO	-150W 150/120/85W 21,750/17,400/ 12,325 Lm -240W 240/190/140W 34,800/27,550/ 20,300 Lm	-90 90° Beam angle	-3550 3500K/4000K/ 5000K CCT Switchable	-HK1 Hook Mount -PM¹ Pendant Mount- $\frac{3}{4}$ " NPT Conduit	[BLANK] 0-10V Dimming -MS Motion Sensor	[BLANK] Standard -NAT² Natorium Frosted lens and stainless- steel hardware	-WH White Finish
Fixture Family	Power	Distribution	CCT	Mounting	Speciality	Control	Finish

ORDERING GUIDE - ACCESSORIES

AE-IL-SB3 ERALUX SB3 High Bay UFO	-CA-WIREGUARD Wire guard -RFL-PC Polycarbonate reflector	-150W For 150W -240W For 240W	AE-IL-SB3 ERALUX SB3 High Bay UFO	-RFLCVR³ Polycarbonate reflector cover	-150W For 150W -240W For 240W
Accessory Family	Accessory	Size	Accessory Family	Accessory	Size

[BLANK] No EMBB BLD-UM60D/R-YYY 60W Emergency Battery Backup

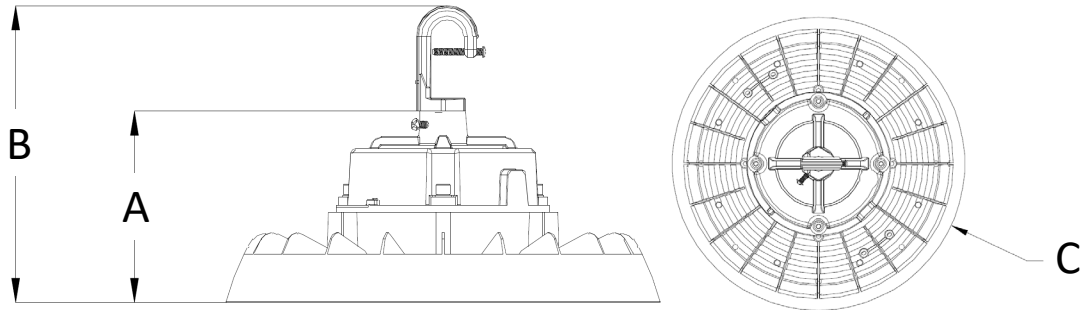
EMBB

1. Only adaptor provided by Eralux
2. Lumen output for NAT fixtures will be 20% less than standard fixtures
3. Polycarbonate reflector usually ordered with the polycarbonate reflector

INDUSTRIAL LED LIGHT High Bay UFO | 150-240W

DIMENSIONS

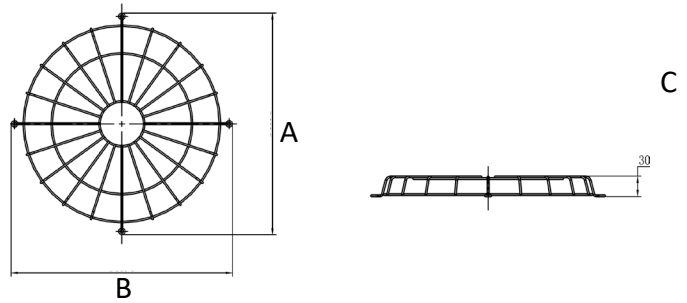
FIXTURE



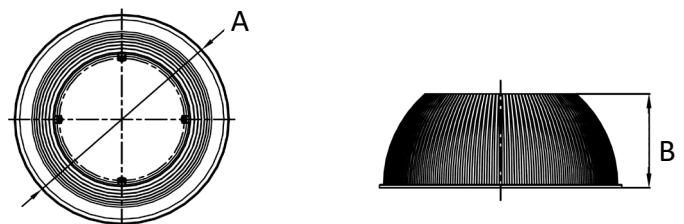
POWER	150W	240W
A	4.1"	4.3"
B	5.9"	6.1"
C	10.2"	13.4"

ACCESSORIES



WIREGUARD		
POWER	150W	240W
A	9.72"	12.36"
B	9.72"	12.36"
C	1.08"	1.11"






POLYCARBONATE REFLECTOR		
POWER	150W	240W
A	16.22"	18.89"
B	8.5"	8.85"
C	10.66"	12.91"



MOUNTING

	DESCRIPTION	PICTURE
HOOK MOUNT	Standard mounting option	
PENDANT	Hook can be replaced by 3/4" NPT conduit mounting.	

ACCESSORIES

CODE	DESCRIPTION	PICTURE
AE-IL-SB3-CA-WIREGUARD-150W AE-IL-SB3-CA-WIREGUARD-240W	Wire guards help shield the light from accidental impacts.	
AE-IL-SB3-RFL-PC-150W AE-IL-SB3-RFL-PC-240W	Polycarbonate reflectors help in directing and distributing light more evenly across a space.	
AE-IL-SB3-RFLCVR-150W AE-IL-SB3-RFLCVR-240W	These covers can help diffuse light evenly, reducing glare and creating a more comfortable lighting environment.	

DLC MODELS

DLC MODEL	PRODUCT ID
AE-IL-SB3-CA-240W-90-3550-HK1-WH(-MS,-EM,Blank,Both)	S-7QWVRH
AE-IL-SB3-CA-150W-90-3550-HK1-WH(-MS,-EM,Blank,Both)	S-GTZ5RS

CONTROLS

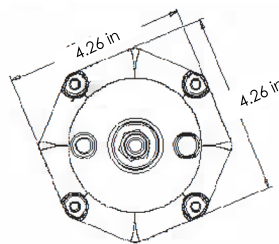
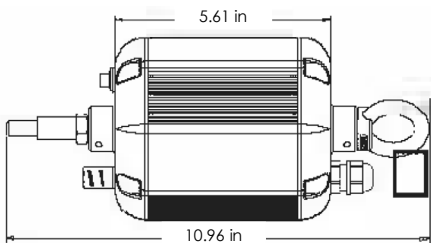
EMERGENCY LED DRIVER

Ordered separately, field installed
BLD-UM60D/R-YYY



The BLD-UMXXX-YYY series LED Emergency Driver is UL listed for field and factory installation, allowing a single LED fixture to operate in both normal and emergency modes. In case of power failure, it powers the fixture for up to 90 minutes, integrating a battery, charger, and converter in one unit. Supporting LED loads of 30-60W at 170VDC, its constant power design ensures consistent illumination during emergencies, making it ideal for 0-10V dimmable indoor industrial LED fixtures, such as flat panels, troffers, and UFO lights.

SPECIFICATIONS	
Input Voltage	100-347 Vac
Power Frequency	50/60HZ
Input Power	15W MAX
Output Voltage	170V Dc
Output Power	60W
Ambient Temperature	5°C to 50°C
	41°F to 122°F
Installation	Remote



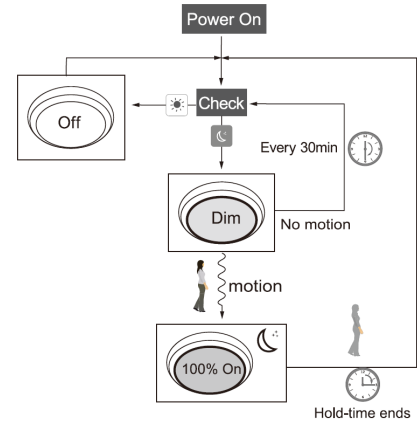
CONTROLS

MOTION SENSOR

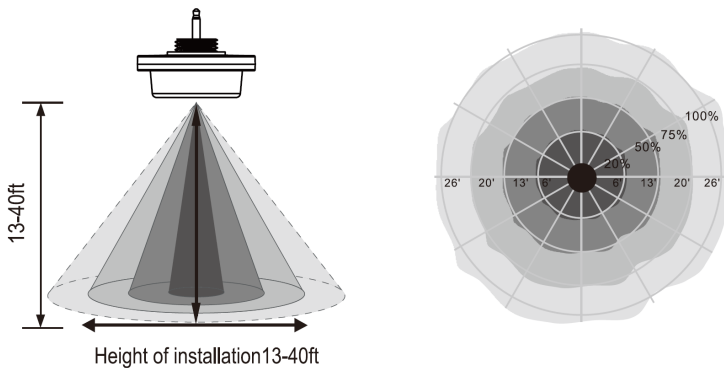
CODE	DESCRIPTION	PICTURE
AE-IL-SB2-CA-MSKIT	Plug in low-voltage microwave motion sensor	
AE-IL-SB2-CA-REMOTE-CTRL	Remote control for the motion sensor	

FACTORY MODE

Factory Default Setting	
Sensitivity	100%
Hold on time	5 min
Daylight Sensor	ON
Dimming level	30%
Dimming time	30 min



Area Coverage



INDUSTRIAL LED LIGHT High Bay UFO | 150-240W

LUMEN ESTIMATE

Lumen output varies based on CCT and CRI. An estimate of lumen output of the various CCT/CRI combinations, use correction factors as per table below:

LUMEN ESTIMATE ADJUSTMENT FACTORS				
CCT	2700K	3000K	3500K	4000K
PREMIUM (80CRI)	0.96	1	1.03	1.06

PHOTOMETRIC DATA

PART NUMBER		ZONAL LUMEN SUMMARY			POLAR LUMINOUS INTENSITY	CONE DISTRIBUTION			
AE-IL-SB3-CA-150W-90-3550		Zone	Lumens	% Fixture	Direct Light	Center Beam Fc	Beam Width		
Wattage	150W	0-20°	4143.77	19.8		3.3ft	1022 fc	5.7 ft	5.7 ft
CCT	3500K	0-30°	8937.29	42.7		6.7ft	248 fc	11.6 ft	11.6 ft
Distribution	90°	0-40°	14154.27	67.7		10.0ft	111 fc	17.4 ft	17.3 ft
		0-60°	19285.3	92.2		13.3ft	62.9 fc	23.1 ft	23.0 ft
		0-80°	20778.83	99.4		16.7ft	39.9 fc	29.0 ft	28.9 ft
		0-90°	20875	99.8		20.0ft	27.8 fc	34.7 ft	34.6 ft
						■ Vert. Spread: 81.9° ■ Horiz. Spread: 81.7°			

PART NUMBER		ZONAL LUMEN SUMMARY			POLAR LUMINOUS INTENSITY	CONE DISTRIBUTION			
AE-IL-SB3-CA-240W-90-3550		Zone	Lumens	% Fixture	Direct Light	Center Beam Fc	Beam Width		
Wattage	240W	0-20°	7234.96	20.80		3.3ft	1778 fc	5.5 ft	5.5 ft
CCT	3500K	0-30°	15574.46	44.70		6.7ft	431 fc	11.1 ft	11.1 ft
Distribution	90°	0-40°	23864.81	68.50		10.0ft	194 fc	16.5 ft	16.5 ft
		0-60°	31987.73	91.80		13.3ft	109 fc	22.0 ft	22.0 ft
		0-80°	34582.6	99.20		16.7ft	69.4 fc	27.6 ft	27.6 ft
		0-90°	34776.32	99.80		20.0ft	48.4 fc	33.1 ft	33.0 ft
						■ Vert. Spread: 79.2° ■ Horiz. Spread: 79.1°			

PART NUMBER		ZONAL LUMEN SUMMARY			POLAR LUMINOUS INTENSITY	CONE DISTRIBUTION			
AE-IL-SB3-CA-240W-90-3550		Zone	Lumens	% Fixture	Direct Light	Center Beam Fc	Beam Width		
Wattage	240W	0-20°	7384.57	21.20		3.3ft	1810 fc	5.3 ft	5.2 ft
CCT	5000K	0-30°	15856.49	45.50		6.7ft	439 fc	10.7 ft	10.7 ft
Distribution	90°	0-40°	23953.06	68.70		10.0ft	197 fc	16.0 ft	15.9 ft
		0-60°	31914.56	91.60		13.3ft	111 fc	21.3 ft	21.1 ft
		0-80°	34573.23	99.20		16.7ft	70.7 fc	26.7 ft	26.5 ft
		0-90°	34765.53	99.70		20.0ft	49.3 fc	32.0 ft	31.8 ft
						■ Vert. Spread: 77.3° ■ Horiz. Spread: 77.0°			

OVERVIEW

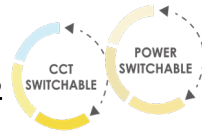


Innovative Design

- Aluminum die-cast and heat sink to ensure superior thermal heat dissipation
- Polycarbonate lens protection for NEMA 4X ratings.



Multiple Options



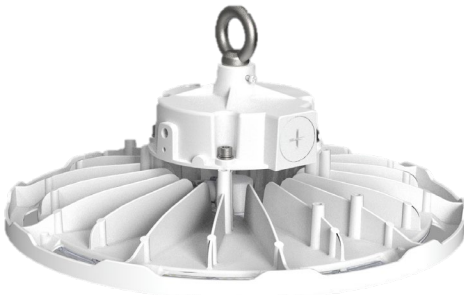
- 2 sizes 150W-240W.
- Power switchable.
- 3 CCT selectable; 35/40/50K

SIZE	POWER	LUMENS
150W	150/125/100W	22,500/18,750/15000 Lm
240W	240/200/150W	36,000/30,000/22,500 Lm



FEATURE

- Natatorium option:
With the frosted lens and stainless-steel hardware, the SB3 can be placed above pools



Mountings Available

- Hook Mount.
- Pendant using 3/4" adaptor.



ACCESSORIES

- Wire guard.
- Polycarbonate reflector and cover.
- EMBB.
- Motion Sensor



Emergency Backup Battery



Motion Sensor



Tests And Certifications

