

SLIMA FIRE

LED COMMERCIAL DOWNLIGHT

Recessed Downlight



The **SLIMA Fire** Series LED downlight is the ideal recessed downlight for any retrofit or new construction project. The spring-action housing clips facilitates the installation process for any power option. The SLIMA Fire downlights has a selectable CCT switch enabling to change the color projection from 2700K to 5000K, offering an unparalleled level of flexibility. What makes such fixture unique is the capability of resisting fire.

eralux®



DATE	
PROJECT NAME	
TYPE	
QTY	
ORDERING CODE	AE-DL-SF- - -TRIAC-P2750-

OPERATING & ELECTRICAL

INPUT VOLTAGE	120V
POWER FACTOR	0.9
TOTAL HARMONIC DISTORTION(THD)	<20%

PERFORMANCE

LEMENS PER WATT	78 LPW at 80CRI
DIMMING	TRIAC
WATTAGE	9W
BEAM ANGLE	120°

MECHANICAL & HOUSING

HOUSING	Die casting aluminum for increased rigidity and strength
LENS	Highly durable polycarbonate and high transmittance lens
FINISH	White Black
POWER SUPPLY	Factory wired electronic LED driver
LED BOARD	Light emitted source

APPLICATION CONDITION

AMBIENT TEMPERATURE RANGE	-20 °C to 45°C
PROTECTION	Wet & Fire rated; IC rated

COMPATIBLE MOUNTING

MOUNTING	New construction or retrofit. Mounted with stainless steel spring-action housing clips
----------	-------------------------------------------------------------------------------------------

WARRANTY

SYSTEM WARRANTY – 5 YEARS

Eralux will warrant defective drivers, LEDs and boards for 5 years from the date of purchase. This warranty is valid only if the fixture is installed and used as per installation guides and specifications. If a defect is present, Eralux will send drivers and boards at no fee with a thorough replacement instructions along with instructions on the return of the defective parts back to Eralux.

LUMEN MAINTENANCE – L70 at 50,000 hours

Rated for 70% initial lumen output at 50,000 hours of operation, operated at 25°C ambient temperature; per guidelines published by the Illuminating Engineering Society (IES)

SLIMA FIRE

LED COMMERCIAL DOWNLIGHT
Recessed Downlight

DATE	
PROJECT NAME	
TYPE	
QTY	
ORDERING CODE	AE-DL-SF- - -TRIAC-P2750-

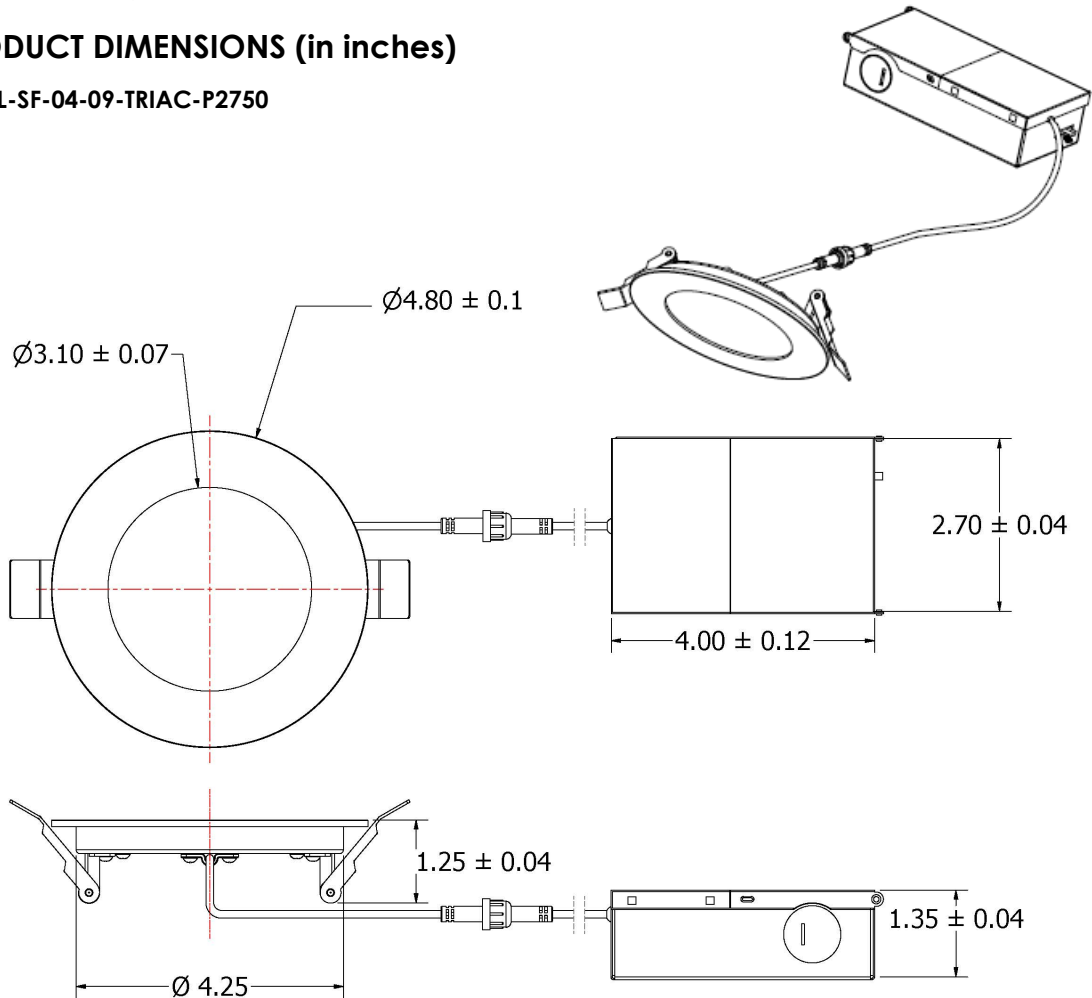
ORDERING GUIDE

FIXTURE FAMILY	SHAPE & SIZE	POWER	CONTROL	CCT	FINISH
AE-DL-SF-			TRIAC-	P2750	-
AE-DL-SF- SLIMA FIRE Series recessed downlight	04- 4" Round housing	09W- 9W:700 lumens	TRIAC- TRIAC dimming	P2750 Selectable CCT	BK Black finish
	06- 6" Round housing	14W- 14W:1100 lumens			WH White finish

* The 6" comes only with white finish

PRODUCT DIMENSIONS (in inches)

AE-DL-SF-04-09-TRIAC-P2750



SLIMA FIRE

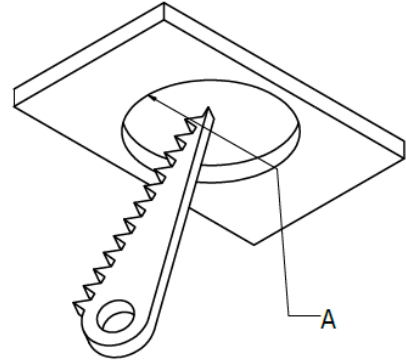
LED COMMERCIAL DOWNLIGHT

Recessed Downlight

DATE	
PROJECT NAME	
TYPE	
QTY	
ORDERING CODE	AE-DL-SF- - -TRIAC-P2750-

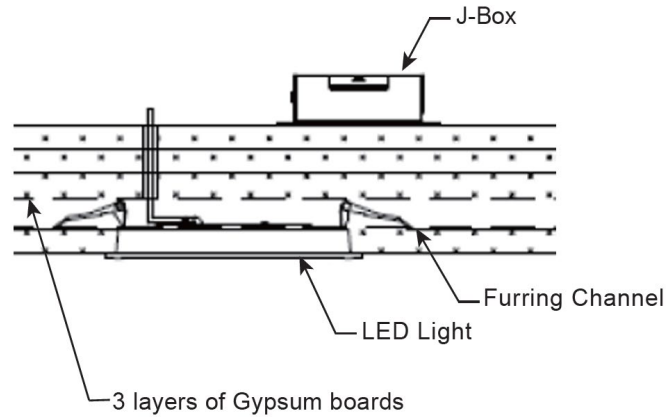
CUT- HOLE DIMENSIONS FOR INSTALLATION (in inches)

'A' represents the diameter of the hole in the ceiling; where A= 4.25 inches.



Three layers of gypsum board

Install three layers of gypsum board between the fixture and the J-box. This is an important step in the installation procedure to reach 120 minutes of fire protection. Refer to the installation instruction for more details.



SLIMA FIRE

LED COMMERCIAL DOWNLIGHT

Recessed Downlight

DATE	
PROJECT NAME	
TYPE	
QTY	
ORDERING CODE	AE-DL-SF- - -TRIAC-P2750-

ACCESSORIES

Ordered separately, field installed

NEW CONSTRUCTION UNIVERSAL FRAME KIT

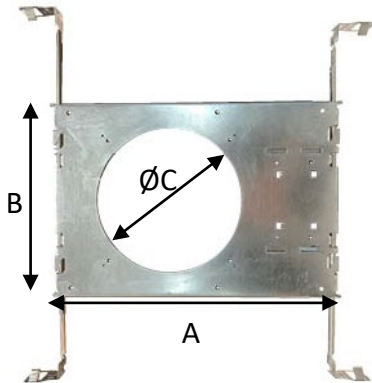


MATERIAL 22-gauge galvanized steel housing.

MOUNTING T-bar or drywall ceilings
Up to 1.5" thick

Ordering Code AE-DL-FRKT-04-UNV
AE-DL-FRKT-06-UNV

FRAME KIT DIMENSIONS



DIMENSIONS

	A	
4" Round	A	12.75" [324 mm]
	B	8.63" [219 mm]
	C	Ø 4.50" [114 mm]
6" Round	A	12.75" [324mm]
	B	8.63" [219 mm]
	C	Ø 6.37" [162 mm]
8" Round	A	12.75" [324mm]
	B	8.63" [219 mm]
	C	Ø 7.25" [184 mm]

LUMEN ESTIMATE

Lumen output varies based on CCT and CRI. An estimate of lumen output of the various CCT/CRI combinations, use correction factors as per table below:

LUMEN ESTIMATE ADJUSTMENT FACTORS

CCT	2700K	3000K	3500K	4000K	5000k
PREMIUM (90CRI)	0.96	1	1.03	1.06	1.06

SLIMA FIRE

LED COMMERCIAL DOWNLIGHT

Recessed Downlight

DATE	
PROJECT NAME	
TYPE	
QTY	
ORDERING CODE	AE-DL-SF- - -TRIAC-P2750-

ACCESSORIES (Continued)

Ordered separately, field installed

EMERGENCY LED DRIVER (BLD-HMXXD-YYY)

BLD-HM8D-YYY

OUTPUT POWER : 8 WATTS

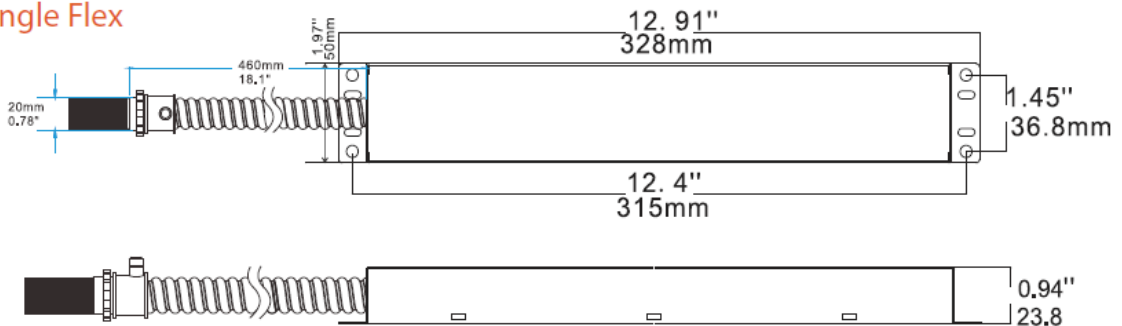
BLD-HM25D-YYY

OUTPUT POWER : 25 WATTS



BLD-HMXXD-YYY series LED Emergency Driver is UL listed for field and factory installation that allows the same LED fixture to be used for both normal and emergency operation . In the event of a power failure , the emergency driver switches to emergency mode and operates the existing. Fixture to 90 minutes. The unit contains a battery , charge , and converter circuit in a single enclosure .This module will operate an LED array load at 6-25W with constant power at a rated output voltage of 170VDC. The constant power design of BLD-HMXXD-YYY maintains the output wattage to LED array, providing consistent illumination for entire emergency runtime. Ideal for use with most 0-10V dimmable indoor commercial LED lighting fixtures, such as LED flat panel, troffer, downlight and suspension mounting LED linear strip lights, etc.

Single Flex



SLIMA FIRE

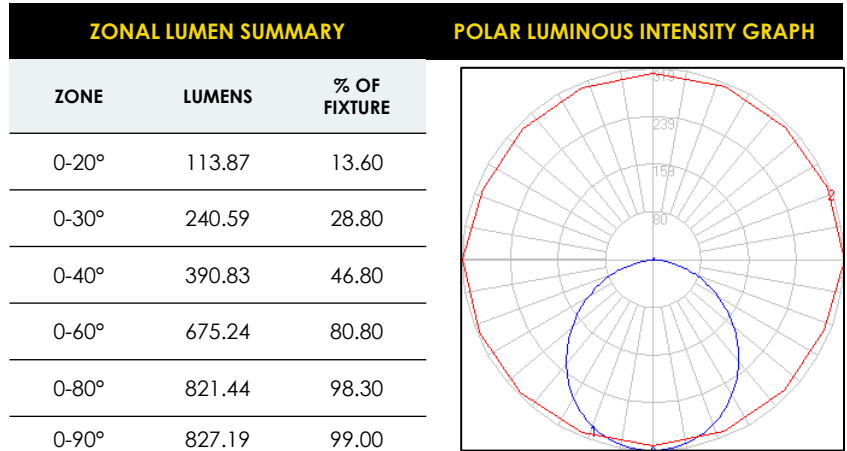
LED COMMERCIAL DOWNLIGHT

Recessed Downlight

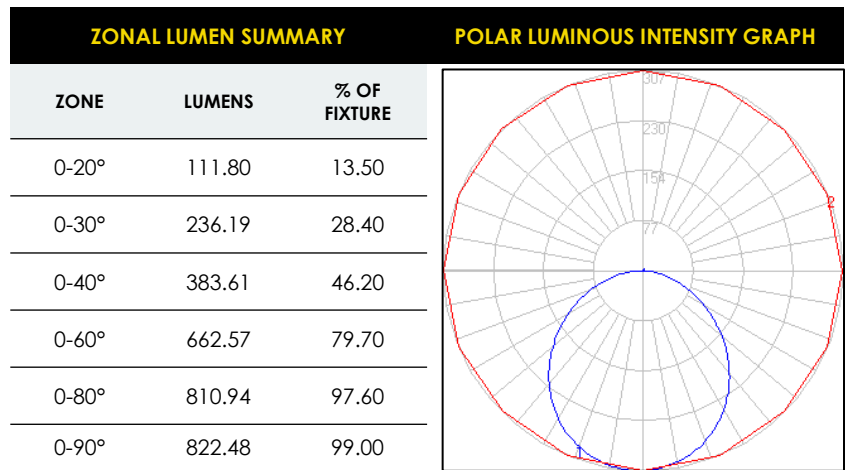
DATE	
PROJECT NAME	
TYPE	
QTY	
ORDERING CODE	AE-DL-SF- - -TRIAC-P2750-

PHOTOMETRIC DATA

- AE-DL-SF-04-09W-triac-27K
- 4 INCH DIAMETER
- 2700K CCT
- 9 WATTS
- 700 LUMENS



- AE-DL-SF-04-09W-triac-50K
- 4 INCH DIAMETER
- 5000K CCT
- 9 WATTS
- 700 lumens



DIMMER COMPATIBILITY LIST

Dimmer: Low Line (120V/100V) TRIAC
LUTRON -S-600PR-WH
LUTRON-CTCL-153PR-WH
LUTRON-DVWCL-153PH-WH
LUTRON-DVCL-153PR-BL
LUTRON-TG600PR-LA

Dimmer: Low Line (120V/100V) TRIAC
LUTRON-TGCL-153PH-WH
LUTRON-CT600P-WH
LEVITON-6631-1LW
LEVITON-6674-POT
LEVITON-6672-1LW
LEVITON-6683-IW

SLIMA FIRE

LED COMMERCIAL DOWNLIGHT
Recessed Downlight

DATE				
PROJECT NAME				
TYPE				
QTY				
ORDERING CODE	AE-DL-SF-	-	-TRIAC-P2750-	

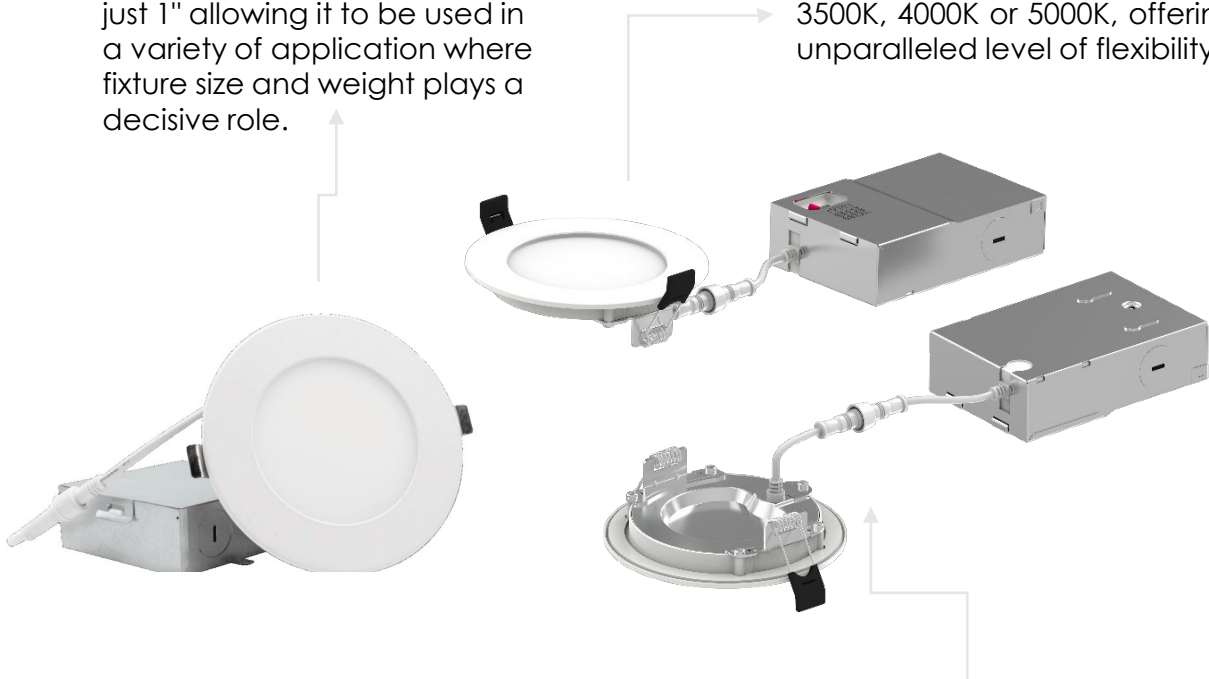
OVERVIEW

ULTRA-THIN PROFILE

The Fire Slim recessed downlight has a full thickness of just 1" allowing it to be used in a variety of application where fixture size and weight plays a decisive role.

SELECTABLE CCT

With a simple switch, the CCT can be changed to 2700K, 3000K, 3500K, 4000K or 5000K, offering an unparalleled level of flexibility.



EASY INSTALLATION

Fixture comes standard with junction box allowing for excellent cable management reducing installation errors and potential maintenance, facilitating installation.

FIRE RATED

The fixture's housing expands when exposed to heat, preventing fire to expand throughout the ceiling. It lasts for 120 minutes.



2 HOUR FIRE RATING
Tested to comply with UL 263
ASTME 119 & CAN ULC S101