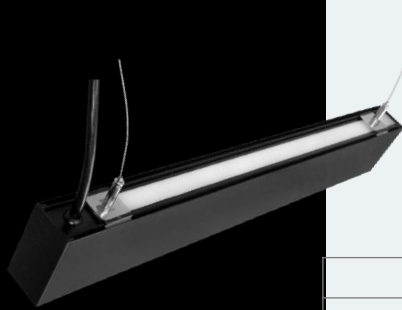


SPS



eralux®



LINEAR FIXTURES

Linear Architectural Lighting

The SPS series is a revolutionary compact product with the ability to adjust lumen output and offers a variety of uplight and downlight options. It even offers the unique option of 100% uplight. Whether its pendant mount or wall mount, the installation process is simple and will result in an elegant lighting solution.

DATE	
PROJECT NAME	
TYPE	
QTY	
ORDERING CODE	AE-SF-SPS-A-CA - -B-P - -PL -

OPERATING & ELECTRICAL

INPUT VOLTAGE 120-347V

POWER FACTOR 0.9

DIMMING 0-10V

TOTAL HARMONIC DISTORTION (THD) <20%

PERFORMANCE

LUMENS PER WATT 88 LPW at 90CRI white
75 LPW at 90CRI black

POWER 20W to 100W

DISTRIBUTION Lambertian:
STANDARD (30% up, 70% down),
100U (100% up),
60U40D (60% up, 40% down)
50U50D (50% up, 50% down)

MECHANICAL & HOUSING

HOUSING Extruded aluminum

LENS Highly durable polycarbonate and high transmittance lens

FINISH Nebula White
Atomic Black
Silver RAL7044
Gun Powder RAL7011

POWER SUPPLY Factory wired electronic LED driver

LED BOARD Discrete LED

APPLICATION CONDITION

AMBIENT TEMPERATURE RANGE -10°C to 40°C

COMPATIBLE MOUNTING

MOUNTING Suspended
(2x 6FT suspension cables standard with fixture purchase)
Wall mount

WARRANTY

SYSTEM WARRANTY – 5 YEARS

Eralux will warrant defective drivers, LEDs and boards for 5 years from the date of purchase. This warranty is valid only if the fixture is installed and used as per installation guides and specifications. If a defect is present, Eralux will send drivers and boards at no fee with a thorough replacement instructions along with instructions on the return of the defective parts back to Eralux.

LUMEN MAINTENANCE – L85 at 50,000 hours

Rated for 85% initial lumen output at 50,000 hours of operation, operated at 25°C ambient temperature; per guidelines published by the Illuminating Engineering Society (IES).

DATE	
PROJECT NAME	
TYPE	
QTY	
ORDERING CODE	AE-SF-SPS-A-CA - -B-P - -PL -

ORDERING GUIDE

EXAMPLE: AE-SF-SPS-A-CA-450-B-P30-35-40-010-PL-WH

FIXTURE FAMILY	GEN	VOLTAGE	SIZE	POWER	ACCENT	CRI	CCT	DIMMING	LENS	FINISH	BEAM	ACCESSOR
AE-SF-SPS	-A	-CA	-		-B	-P		-010	-PL	-	-	
AE-SF-SPS ERALUX SPS linear architectural fixture	-A First GEN	-CA 120-347Vac input voltage range	-2 2 feet length	30 20/30W*	-B No Accent	-P 90 CRI	30-35-40 3000K-3500K-4000K CCT	-010 0-10V external dimming down to 10%	-PL Full length polycarbonate lens	-WH ERALUX Nebula White	[LEAVE BLANK] 30% up light, 70% downlight	LEAVE BLANK] 0-10V Standard
			-3 3 feet length									-PU Power cord – 120-277V
			-4 4 feet length	50 30/40/50 W**								-PU-C Power cord – 120-277V with 5-inch Canopy
			-6 6 feet length	80 50/60/80 W***								-PH Power cord – 120-347V
			-8 8 feet length	100 60/80/100W****			-PH-C Power cord – 120-347V with 5-inch Canopy					
							30-40-50 3000K-4000K-5000K CCT			-BK ERALUX Atomic Black	-100U 100% up light, 0% downlight*	-PH Power cord – 120-347V
										-SV Silver – RAL704 4	-60U40D 60% up light, 40% downlight*	-PH-C Power cord – 120-347V with 5-inch Canopy
									-GN Gun Powder – RAL701 1	-1DIM		

CAUTION: If there are multiple fixtures connected to the same 0-10V dimming line, a 0-10V controller must be considered to enable consistent dimming across the fixtures. Failure to do so will lead to inconsistent dimming and behaviors in the fixtures. Single switch is not recommended for controlling multiple fixtures simultaneously.

1DIM available only in 120-277V, it works for 3,4,5,6,8 FT

Each fixture comes standard with 2x 8FT suspension cables

Maximum of 300 Wattages powered by 1 electrical drop

50, 60 or 100% up light is not CCT Switchable

DATE	
PROJECT NAME	
TYPE	
QTY	
ORDERING CODE	AE-SF-SPS-A-CA - -B-P - -PL -

ORDERING GUIDE FOR TRIAC DIMMING

EXAMPLE: AE-SF-SPS-A-CA-440-B-P30-TRI-PL-WH

FIXTURE FAMILY	GEN	VOLTAGE	SIZE	POWER	ACCENT	CRI	CCT	DIMMING	LENS	FINISH	BEAM
AE-SF-SPS	-A	-CA	-		-B	-P		-TRI	-PL	-	-
AE-SF-SPS ERALUX SPS linear architectural fixture	-A First GEN	-CA 120-347Vac input voltage range	-2 2 feet length	15 15 Watts power	-B No Accent	-P 90 CRI	30 3000 K CCT	-TRI TRIAC dimming	-PL Full length polycarbonate lens	-WH ERALUX Nebula White	[LEAVE BLANK] 30% up light, 70% downlight
			-4 4 feet length	40 40 Watts power			35 3500 K CCT				
			-8 8 feet length	80 80 Watts power			40 4000 K CCT				
										-BK ERALUX Atomic Black	

Each fixture comes standard with 2x 6FT suspension cables

Next page for power switchable options

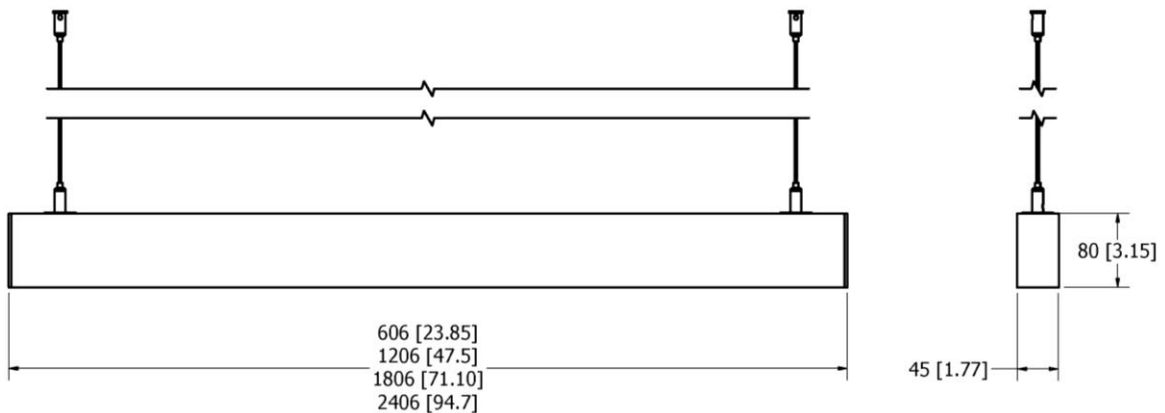
DATE	
PROJECT NAME	
TYPE	
QTY	
ORDERING CODE	AE-SF-SPS-A-CA - -B-P - -PL -

POWER SWITCHABLE OPTIONS

	Lumens	Uplight 100%	70 % down, 30% up	40% down, 60% up
2FT	20W – 1640 lms	20/30 watts switchable* Uplight 100% - 20W Only	14W downlight, 6W up-light	8W downlight, 12W up-light
	30W - 2460 lms		21W downlight, 9W up-light	12W downlight, 18W up-light
4FT	30W – 2460 lms	30/40/50 watts switchable** Uplight 100% - 40W Only	21W downlight, 9W up-light	12W downlight, 18W up-light
	40W - 3280 lms		28W downlight, 12W up-light	16W down-light, 24W up-light
	50W - 4100 lms		35W downlight, 15W up-light	20W downlight, 30W up-light
6FT	50W - 4100 lms	50/60/80 watts switchable*** Uplight 100% - 50/60W Only	35W downlight, 15W up-light	20W downlight, 30W up-light
	60W - 4920 lms		42W downlight, 18W up-light	24W downlight, 36W up-light
	80W - 6560 lms		56W downlight, 24W up-light	32W downlight, 48W up-light
8FT	60W - 4920 lms	60/80/100 watts switchable**** Uplight 100% - 60/80W Only	42W downlight, 18W up-light	24W downlight, 36W up-light
	80W - 6560 lms		56W downlight, 24W up-light	32W downlight, 48W up-light
	100W - 8200 lms		70W downlight, 30W up-light	40W downlight, 60W up-light

PRODUCT DIMENSIONS

AE-SF-SPS-A-CA



DATE	
PROJECT NAME	
TYPE	
QTY	
ORDERING CODE	AE-SF-SPS-A-CA - -B-P - -PL -

ACCESSORIES

Ordered separately, field installed

PART NUMBER	DESCRIPTION	PICTURE
AE-SF-CANOPY-WH-5IN AE-SF-CANOPY-BK-5IN	Canopy Cover kit: 5" diameter - 2 pieces White or Black	
AE-SF-CANOPY-WH-5IN-SUSP AE-SF-CANOPY-BK-5IN-SUSP	Canopy Cover kit: 5" diameter - 1 piece suspension side only White or Black	
AE-SF-CANOPY-WH-ELITE AE-SF-CANOPY-BK-ELITE	Canopy Cover kit: 5" diameter - 0.3" thickness- 2 pieces White or Black	
AE-SF-LINK-NR	Linkable Metal Accessory - 1 piece Fixture wired for continuous mounting	
AE-SF-PWRCORD-WH-B AE-SF-PWRCORD-BK-B	8FT power cord - 120-277V - White 8FT power cord - 120-277V - Black	
AE-SF-PWRCORD-HV-WH-B AE-SF-PWRCORD-HV-BK-B	8FT power cord - 120-347V - White 8FT power cord - 120-347V - Black	
AE-SF-PWRCORD-WH-18FT-B AE-SF-PWRCORD-BK-18FT-B	18FT power cord - 120-277V - White 18FT power cord - 120-277V - Black	
AE-SF-PWRCORD-HV-WH-18FT-B AE-SF-PWRCORD-HV-BK-18FT-B	18FT power cord - 120-347V - White 18FT power cord - 120-347V - Black	
AE-SF-WIRE-12FT	2 x 12FT suspension cables	
AE-SF-WIRE-18FT	2 x 18FT suspension cables	
AE-SF-WMB-WH AE-SF-WMB-BK	Wall mount kit - 2 pieces	

DATE	
PROJECT NAME	
TYPE	
QTY	
ORDERING CODE	AE-SF-SPS-A-CA - -B-P - -PL -

ACCESSORIES (Continued)

Ordered separately, field installed

EMERGENCY LED DRIVER (BLD-YTXXD-XXX)

BLD-YT08D-XXX

OUTPUT POWER : 8 WATTS

BLD-YT15D-XXX

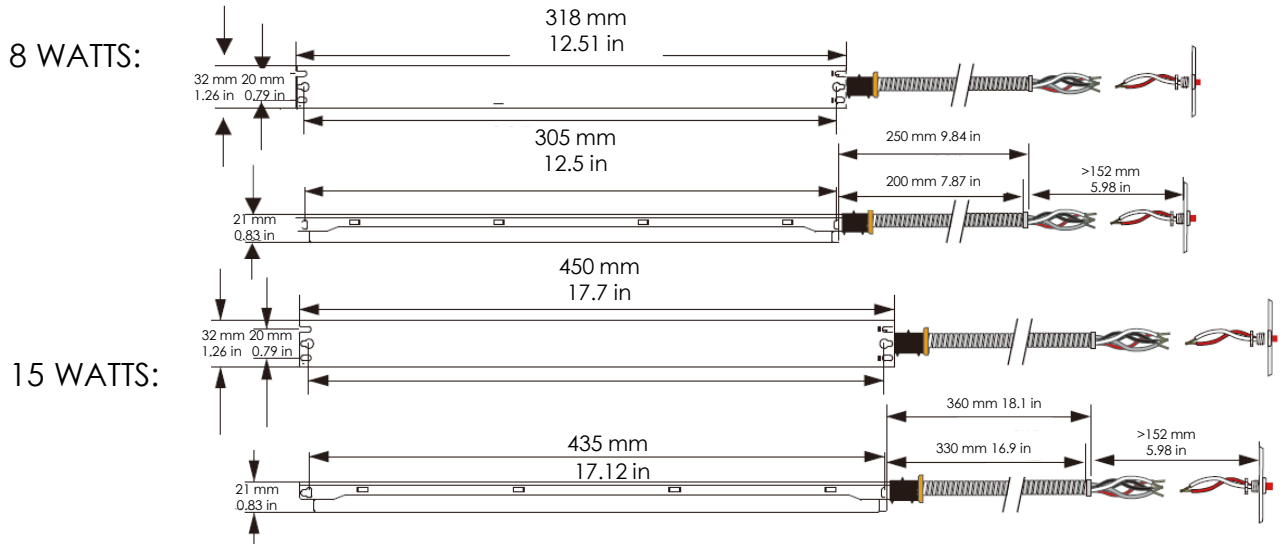
OUTPUT POWER : 15 WATTS



- Easy Wiring
- Certified For CA Title 20
- Constant Power Performance

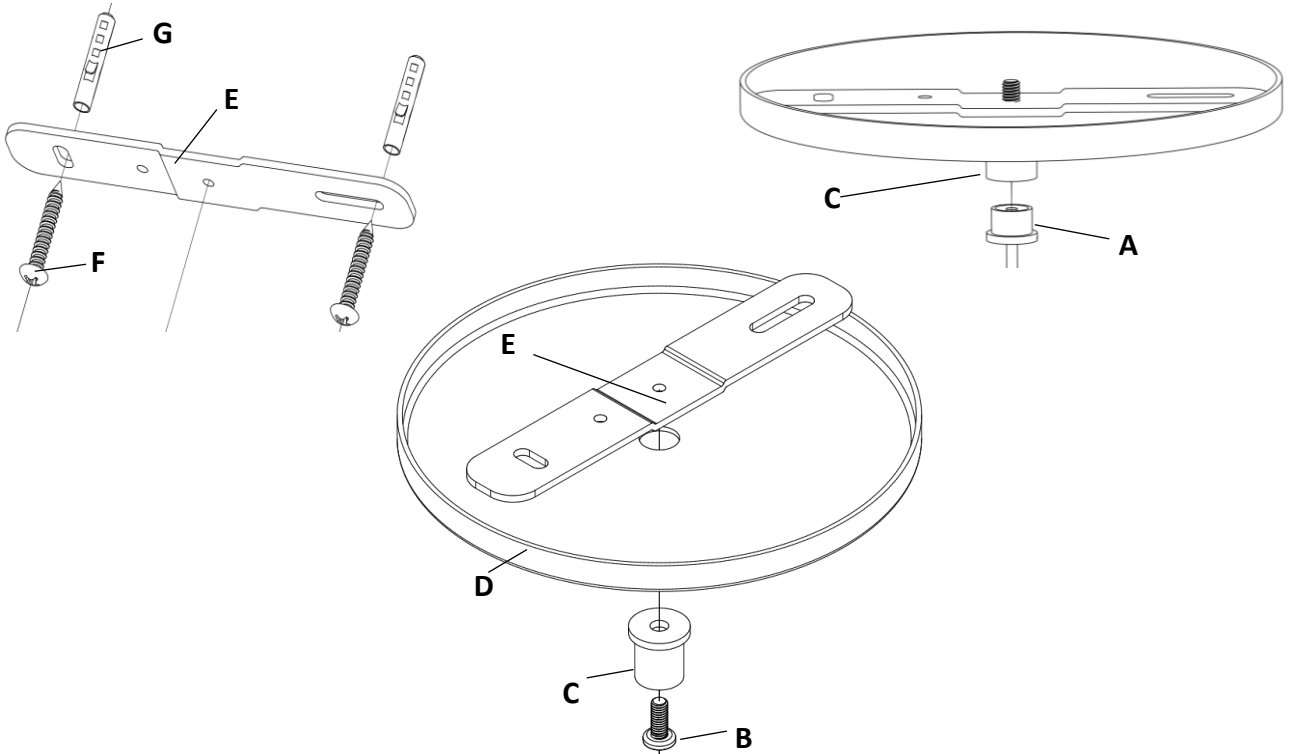
BLD-YTXXD-XXX LED Emergency Driver is UL listed for field and factory installation that allows the same LED fixture to be used for both normal and emergency operation. In the event of a power failure, the emergency driver switches to emergency mode and operates the fixture for 90 minutes. This module will operate a LED array load at 8W or 15W with constant power at a rated output voltage of 30-60 VDC. The constant power design of BLD-YTXXD-XXX maintains the output wattage to the LED array, providing consistent illumination for the entire emergency runtime. Its slim shape is ideal for use in linear LED lighting fixtures.

DIMENSIONS (inches and mm)



DATE	
PROJECT NAME	
TYPE	
QTY	
ORDERING CODE	AE-SF-SPS-A-CA - -B-P - -PL -

CANOPY ELITE MOUNTING STEPS



1. Screw the bracket (E) to the junction box using (F) & (G)
2. Connect the canopy to the bracket by screwing (C) & (D) to (E) using (B)
3. Connect the suspension cable to the canopy via screwing (A) to (C).

LUMEN ESTIMATE

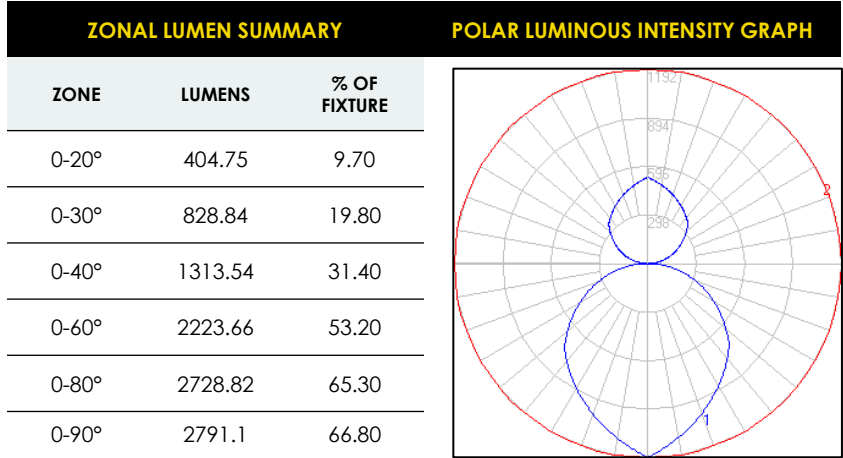
Lumen output varies based on CCT and CRI. An estimate of lumen output of the various CCT/CRI combinations, use correction factors as per table below:

LUMEN ESTIMATE ADJUSTMENT FACTORS				
CCT	3000K	3500K	4000K	5000K
PREMIUM (90CRI)	0.94	0.97	1	1.03

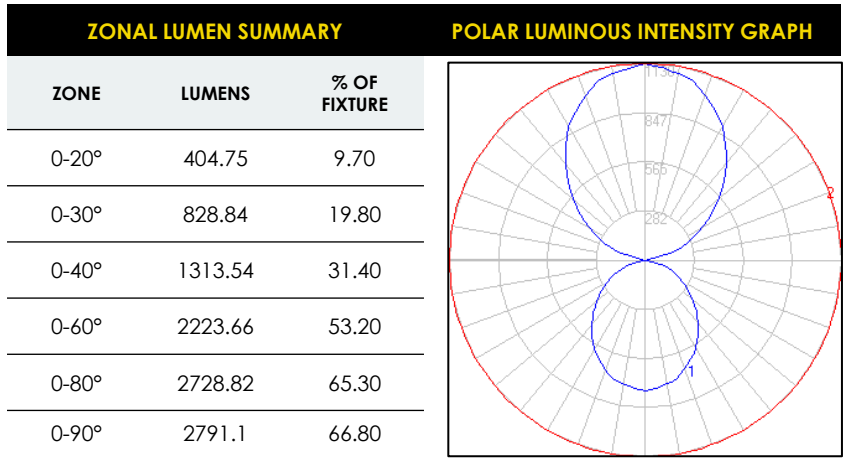
DATE	
PROJECT NAME	
TYPE	
QTY	
ORDERING CODE	AE-SF-SPS-A-CA - -B-P - -PL -

PHOTOMETRIC DATA

AE-SF-SPS-A-CA-450-B-P35-010-PL-WH
 4 FT
 50 WATTS
 4500K CCT
 30% UP LIGHT , 70% DOWNLIGHT



AE-SF-SPS-A-CA-450-B-P35-010-PL-WH-60U40D
 4 FT
 50 WATTS
 4500K CCT
 60% UP LIGHT , 40% DOWNLIGHT



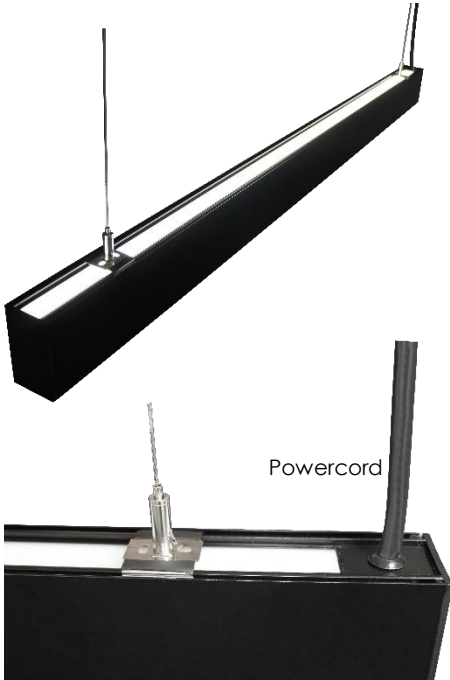
DIMMER COMPATIBILITY LIST

0-10V Dimmer
LEGRAND RH4FBL3PTC
LUTRON DVS7V-WH
LEVITON IP710-LFZ

0-10V Dimmer
EATON WBSD-010SLD
LEVITON DS710
LUTRON MS-Z101
HUBBEL LHDIRS3N

DATE	
PROJECT NAME	
TYPE	
QTY	
ORDERING CODE	AE-SF-SPS-A-CA - -B-P - -PL -

OVERVIEW



Powercord

DIRECT AND INDIRECT LIGHT

The Spinel Series provides both uplight and downlight enhancing your project space.

COLOR SELECTABLE

Easily removable fixture top exposes the DIP switch to change between 3 CCT variations from warm to cool light.

CONTINUOUS MOUNTING

Seamless in both appearance and light when joined for continuous runs.

FINISH

ERALUX anti-glare white and black colorways reduce object glare and provide an elegant finish. Both are standard finishes.

ACCESSORIES

6FT suspension cables come standard with fixture purchase. Multiple accessories available such as canopy cover kits and mounting bracket kits.



Canopy: 2/kit

Slim look