

# TERRA CRESCENT CANOPY

## SURFACE MOUNT CANOPY

Canopy Light

With a power supply, the TERRA wall washer series is capable of more than other canopy light. TERRA Crescent Canopy comes with a programmable driver, smart controls capabilities, and is dimmer compatible. This canopy is a single point surface adapter that can seamlessly fit onto any surface. Like the TERRA Crescent, the fixture will offer a single asymmetric beam of light. The LED head can lock into place at various angles, you can choose a straight downlight or a perpendicular light to the wall. Terra series comes with tri-mode dimming (Triac, ELV, 0-10V), no flickering and capable of dimming down to 1%.



eralux®



DATE	
PROJECT NAME	
<b>TYPE</b>	
QTY	
ORDERING CODE	AE-TL-TRC-UV-DAP

### OPERATING & ELECTRICAL

INPUT VOLTAGE	120 – 277 V
POWER FACTOR	>0.9
TOTAL HARMONIC DISTORTION (THD)	<20%
DIMMING	TRIAC ELV 0 – 10 V

### PERFORMANCE

LUMENS PER WATT	54 – 58 LPW at 90CRI
POWER CONSUMPTION	25W
DISTRIBUTION	Single Asymmetrical (Tilt 45°) 30° X 35°

### MECHANICAL & HOUSING

HOUSING	Aluminum die cast
LENS	Highly durable polycarbonate and high transmittance lens
FINISH	Black, White, Silver
POWER SUPPLY	Factory Wire Electronic LED driver
LED BOARD	COB

### APPLICATION CONDITION

AMBIENT TEMPERATURE RANGE	-10 °C to 35°C
---------------------------	----------------

### COMPATIBLE MOUNTING

MOUNTING	Canopy
----------	--------

### WARRANTY

#### SYSTEM WARRANTY – 5 YEARS

Eralux will warrant defective drivers, LEDs and boards for 5 years from the date of purchase. This warranty is valid only if the fixture is installed and used as per installation guides and specifications. If a defect is present, Eralux will send drivers and boards at no fee with a thorough replacement instructions along with instructions on the return of the defective parts back to Eralux.

#### LUMEN MAINTENANCE – L85 at 50,000 hours

Rated for 85% initial lumen output at 50,000 hours of operation, operated at 25°C ambient temperature; per guidelines published by the Illuminating Engineering Society (IES)

# TERRA CRESCENT CANOPY

SURFACE MOUNT CANOPY

Canopy Light

DATE	
PROJECT NAME	
<b>TYPE</b>	
QTY	
ORDERING CODE	AE-TL-TRC-UV-SAP

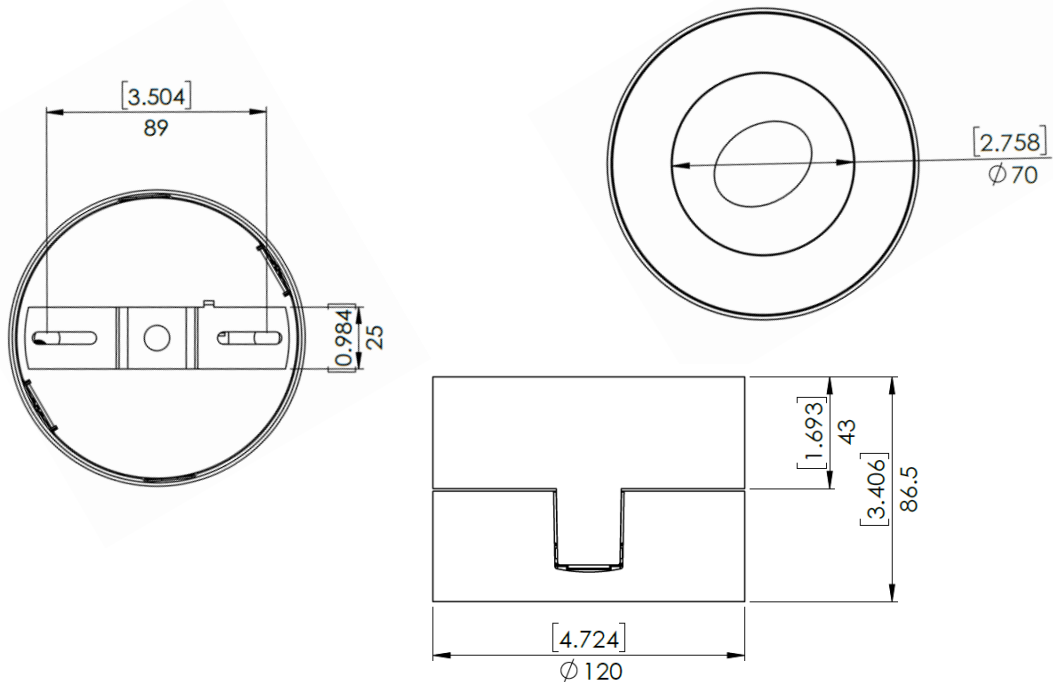
## ORDERING GUIDE

EXAMPLE: AE-TL-TRC-UV-SAP30J1BK

FIXTURE FAMILY	VOLTAGE	DISTRIBUTION	CRI	CCT	FINISH
<b>AE-TL-TRC</b>	<b>-UV</b>	<b>-SA</b>	<b>P</b>		
<b>AE-TL-TRC</b> ERALUX TERRA CANOPY light	<b>-UV</b> 120 – 277V	<b>-SA</b> 25 watts: 1340 lumens at 3000K Single Asymmetrical (Tilt 45°) CBCP 90CRI: - 3177 at Beam Angle 32°x33° - 10584 at Beam Angle 20° - 8714 at Beam Angle 24° - 4525 at Beam Angle 36° - 2316 at Beam Angle 50°	<b>P</b> Premium 90 CRI	<b>30</b> 3000K CCT	<b>BK</b> Black powder coat finish
				<b>35</b> 3500K CCT	<b>WH</b> White powder coat finish
				<b>40</b> 4000K CCT	<b>SV</b> Silver powder coat finish

## PRODUCT DIMENSIONS

AE-TL-TRC-UV-SAPXXXX



# TERRA CRESCENT CANOPY

SURFACE MOUNT CANOPY

Canopy Light

DATE	
PROJECT NAME	
<b>TYPE</b>	
QTY	
ORDERING CODE	AE-TL-TRC-UV-DAP

## LUMEN ESTIMATE

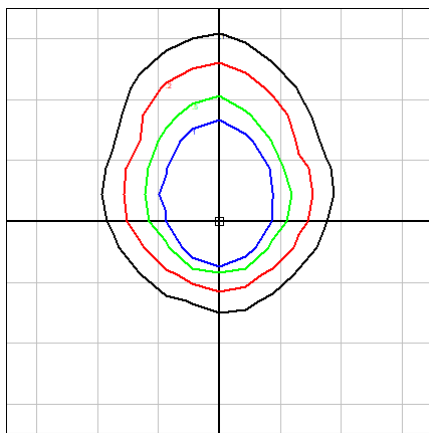
Lumen output varies based on CCT and CRI. An estimate of lumen output of the various CCT/CRI combinations, use correction factors as per table below:

LUMEN ESTIMATE ADJUSTMENT FACTORS		
CCT	3000K	4000K
PREMIUM (90CRI)	.86	.93

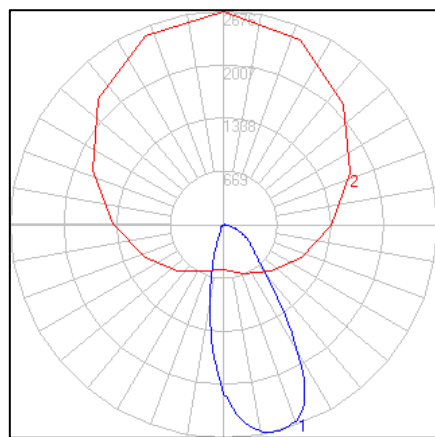
## PHOTOMETRIC DATA

AE-TL-TRC-UV-SAP30XX

### GRID DISTANCES WITH A MOUNTING HEIGHT OF 10' AFG



### POLAR LUMINOUS INTENSITY GRAPHS



## DIMMER COMPATIBILITY LIST

TRIAC/ELV Dimmer @120VAC
Lutron SLV-600X
Lutron S2-LX
Lutron GL-600H
Lutron NFTU-5A
Lutron DVLV-600P
Leviton 6602-X
Leviton 6681-X
Leviton 6683-X
Leviton 6684-X

TRIAC/ELV Dimmer @120VAC
Leviton 700-X
Leviton 705-X
Leviton 6633
Leviton 6674
Leviton IPI06-1LZ
Cooper 9530XXX
Lightolier MP600X
Advance SR150LED120

0-10V Dimmer @120VAC
Lutron, Diva series (part number DDTV)
Lutron, Nova series (part number NFTV)
Leviton, IllumaTech series (part number IP710-DL)

# TERRA CRESCENT CANOPY

SURFACE MOUNT CANOPY

Canopy Light

DATE	
PROJECT NAME	
<b>TYPE</b>	
QTY	
ORDERING CODE	AE-TL-TRC-UV-DAP

## OVERVIEW



### **SURFACE MOUNT CANOPY LIGHT**

Single surface mount canopy allows you to place the lights with no restriction from the track direction. Or choose from any of the popular track systems such as Juno, Halo, Lightolier, or Global.

### **PREMIUM DESIGN**

Aluminum die-cast materials selected for efficient thermal heat dissipation, enhanced structural rigidity maximizing LED life and driver function. Integrated components allow for small stem and clean aesthetic appearance.

### **PAINT FINISH**

Factory standard in black, white, and silver. Contact for custom paint finishes to enhance your fixture to suit your project space.

### **MULTIPLE OPTIONS**

Customize your track head by selecting from a variety of CCT options allowing you to have a unique fixture that suits your project.

### **SINGLE ASYMMETRICAL DISTRIBUTION**

Allow uniform and soft wall wash effect to be displayed and focusing on single side.