

TERRA CRESCENT

TRACK LIGHTING

Wall Wash Track Light

Equipped with a power supply, the TERRA wall wash series is capable of more than other track lights. TERRA Crescent has a programmable driver, smart control capabilities, and dimmer compatibility. The TERRA is made for the track system with various adapter options. TERRA can adapt to your pre-existing track system or with new ERALUX accessories. Like the TERRA Crescent Canopy, the fixture will offer a single asymmetric beam of light. The LED head can lock into place at various angles. You can choose a straight downlight or a perpendicular light to the wall. Terra series comes with tri-mode dimming (Triac, ELV, 0-10V), no flickering and capable of dimming down to 1%.



eralux®



DATE	
PROJECT NAME	
TYPE	
QTY	
ORDERING CODE	AE-TL-TR-UV-SAP

OPERATING & ELECTRICAL

INPUT VOLTAGE	120-277 V
POWER FACTOR	>0.9
DIMMING	Tri-mode dimming: Triac, ELV, 0-10V
TOTAL HARMONIC DISTORTION (THD)	<20%

PERFORMANCE

LUMENS PER WATT	54-58 LPW at 90CRI
POWER CONSUMPTION	30W
DISTRIBUTION	Single Asymmetrical (Tilt 45°) 30°x35°

MECHANICAL & HOUSING

HOUSING	Aluminum die cast
LENS	Highly durable polycarbonate and high transmittance lens
FINISH	Black, White, Silver
POWER SUPPLY	Factory wired electronic LED driver
LED BOARD	COB

APPLICATION CONDITION

AMBIENT TEMPERATURE RANGE	-10 °C to 35°C
---------------------------	----------------

COMPATIBLE MOUNTING

MOUNTING	Juno Global Halo Lightolier
----------	--------------------------------------

WARRANTY

SYSTEM WARRANTY – 5 YEARS

Eralux will warrant defective drivers, LEDs and boards for 5 years from the date of purchase. This warranty is valid only if the fixture is installed and used as per installation guides and specifications. If a defect is present, Eralux will send drivers and boards at no fee with a thorough replacement instructions along with instructions on the return of the defective parts back to Eralux.

LUMEN MAINTENANCE – L70 at 50,000 hours

Rated for 70% initial lumen output at 50,000 hours of operation, operated at 25°C ambient temperature; per guidelines published by the Illuminating Engineering Society (IES)

TERRA CRESCENT

TRACK LIGHTING

Wall Wash Track Light

DATE			
PROJECT NAME			
TYPE			
QTY			
ORDERING CODE	AE-TL-TR-UV-SAP		

ORDERING GUIDE

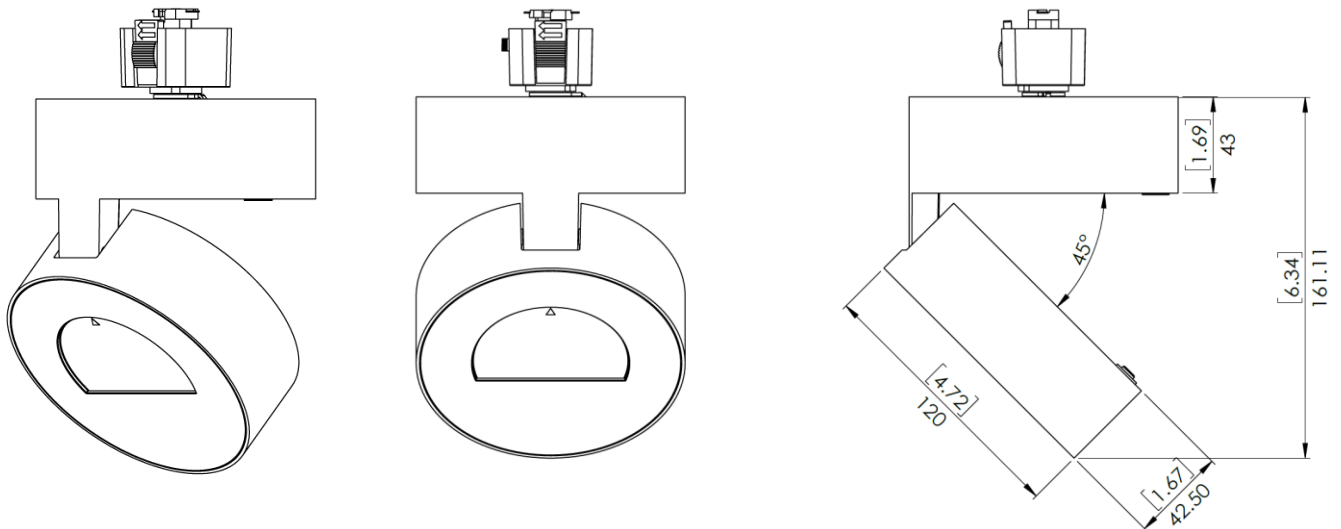
EXAMPLE: AE-TL-TR-UV-SAP30J1BK

FIXTURE FAMILY	VOLTAGE	DISTRIBUTION	CRI	CCT	ADAPTER	FINISH
AE-TL-TR	-UV	-SA	P			
AE-TL-TR ERALUX TERRA track light	-UV 120-277V	-SA 30 watts: 1,620 lumens at 3000K Single Asymmetrical (Tilt 45°) Beam Angle 30°x35°	P Premium 90 CRI	27 2700K CCT	J1 Juno mounting system	BK Black powder coat finish
				30 3000K CCT	G1 Global mounting system	
				35 3500K CCT	H1 Halo mounting system	SV Silver powder coat finish
				40 4000K CCT	L1 Lightolier mounting system	

PRODUCT DIMENSIONS (in mm)

AE-TL-TR

Weight: 1.050 kg



TERRA CRESCENT

TRACK LIGHTING

Wall Wash Track Light

DATE	
PROJECT NAME	
TYPE	
QTY	
ORDERING CODE	AE-TL-TR-UV-SAP

DIMMER COMPATIBILITY LIST

TRIAC/ELV Dimmer @120VAC	TRIAC/ELV Dimmer @120VAC	0-10V Dimmer @120VAC
Lutron SLV-600X	Leviton 700-X	Lutron, Diva series (part number DVTV)
Lutron S2-LX	Leviton 705-X	
Lutron GL-600H	Leviton 6633	
Lutron NFTU-5A	Leviton 6674	Lutron, Nova series (part number NFTV)
Lutron DVLV-600P	Leviton IPI06-1LZ	
Leviton 6602-X	Cooper 9530XXX	Leviton, IllumaTech series (part number IP710-DL)
Leviton 6681-X	Lightolier MP600X	
Leviton 6683-X	Advance SR150LED120	
Leviton 6684-X		

LUMEN ESTIMATE

Lumen output varies based on CCT and CRI. An estimate of lumen output of the various CCT/CRI combinations, use correction factors as per table below:

LUMEN ESTIMATE ADJUSTMENT FACTORS			
CCT	3000K	3500K	4000K
PREMIUM (90CRI)	1	1.03	1.06

PHOTOMETRIC DATA

AE-TL-TR-UV-SAP30X1XX
 30 WATTS
 3000K CCT
 90 CRI

ZONAL LUMEN SUMMARY			POLAR LUMINOUS INTENSITY GRAPH
ZONE	LUMENS	% OF FIXTURE	
0-20°	602.96	37.80	
0-30°	997.36	62.50	
0-40°	1232.77	77.30	
0-60°	1458.45	91.50	
0-80°	1545.89	96.90	
0-90°	1555.88	97.60	

TERRA CRESCENT

TRACK LIGHTING

Wall Wash Track Light

DATE			
PROJECT NAME			
TYPE			
QTY			
ORDERING CODE	AE-TL-TR-UV-SAP		

OVERVIEW

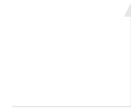
MULTIPLE MOUNTING ADAPTERS

Choose from any of the popular track systems such as Juno, Halo, or Global.



PREMIUM DESIGN

Aluminum die-cast materials selected for efficient thermal heat dissipation, enhanced structural rigidity maximizing LED life and driver function. Integrated components allow for small stem and clean aesthetic appearance.



MULTIPLE OPTIONS

Customize your track head by selecting from a variety of CCT options allowing you to have a unique fixture that suits your project. Mono point mounting option available as well.



PAINT FINISH

Factory standard in black, white, and silver. Contact for custom paint finishes to enhance your fixture to suit your project space.



SINGLE ASYMMETRICAL DISTRIBUTION

Allow uniform and soft wall wash effect to be displayed and focusing on single side.