

# TERRA

## TRACK LED LIGHT

### Round Track Head | 3" Aperture

The TERRA offers advanced capabilities beyond traditional track lights. The TERRA features a programmable driver, intelligent control, and dimmer compatibility with a power consumption of 30 watts, available in three finishes black, white and silver and multiple of beam angles. Compatible with most track systems allowing integration with existing setups or new ERALUX accessories, in addition to monopoint and duopoint mounting. Applications: Art Galleries | Show Rooms | Retail Stores | Hospitality.



	DATE	QTY	ACC. QTY	TYPE
PROJECT				
PN				
ACCESSORY PN				
NOTES				

DYNAMIC MENU	
Order Information	<a href="#">Page 2</a>
Dimensions	<a href="#">Page 3</a>
Accessories	<a href="#">Page 3</a>
Photometric Data	<a href="#">Page 5</a>

[Install Instruction link](#)



### SPECIFICATIONS

Input Voltage	120-277V
Power Factor	>0.9
Total Harmonic Distortion	<20%
Dimming <a href="#">Page 4</a>	TRIAC dimming
CRI	90 CRI
CCT	<div style="display: flex; gap: 10px;"> <div style="border: 1px solid black; border-radius: 50%; width: 20px; height: 20px; background-color: #fff9c4; display: flex; align-items: center; justify-content: center;">27K</div> <div style="border: 1px solid black; border-radius: 50%; width: 20px; height: 20px; background-color: #fff176; display: flex; align-items: center; justify-content: center;">30K</div> <div style="border: 1px solid black; border-radius: 50%; width: 20px; height: 20px; background-color: #e0e0e0; display: flex; align-items: center; justify-content: center;">35K</div> <div style="border: 1px solid black; border-radius: 50%; width: 20px; height: 20px; background-color: #bbdefb; display: flex; align-items: center; justify-content: center;">40K</div> </div>
Efficacy	~54-58 lm/W
Power	30 W
Ambient Temperature Range	-10°C to 35°C
Mounting Adapter	Juno   Global   Halo   Lightolier
Mounting Options	Track System   Monopoint
Fixture Finish	Black   White   Silver
Distribution	Narrow   Flood   Wide   Very Wide 

### PRODUCT CERTIFICATIONS



### SYSTEM WARRANTY – 5 YEARS

Eralux will warrant defective drivers, LEDs and boards for 5 years from the date of purchase. This warranty is valid only if the fixture is installed and used as per installation guides and specifications. If a defect is present, Eralux will send drivers and boards at no fee with a thorough replacement instructions along with instructions on the return of the defective parts back to Eralux.

### LUMEN MAINTENANCE – L70 at 50,000 hours

Rated for 70% initial lumen output at 50,000 hours of operation, operated at 25°C ambient temperature; per guidelines published by the Illuminating Engineering Society (IES).

## TRACK LED LIGHT

Round Track Head | 3" Aperture



### ORDERING GUIDE

<b>AE-TL-TR</b>	<b>-30</b>	<b>-UV</b>		<b>P</b>			
<b>AE-TL-TR</b> ERALUX Terra Track Head	<b>-30</b> 30 Watts  1620 lumens At 30K 1740 lumens At 40K	<b>-UV</b> 120-277V	<b>NF</b> Narrow Flood 20° <b>FL</b> Flood 25° <b>WF</b> Wide Flood 35° <b>VF</b> Very Wide Flood 50°	<b>P</b> Premium 90 CRI	<b>27</b> 2700K <b>30</b> 3000K <b>35</b> 3500K <b>40</b> 4000K	<b>J1</b> Juno <b>G1</b> Global <b>H1</b> Halo <b>L1</b> Lightolier	<b>BK</b> Black powder coat <b>WH</b> White powder coat <b>SV</b> Silver powder Coat
<b>Fixture Family</b>	<b>Wattage</b>	<b>Voltage</b>	<b>Distribution</b>	<b>CRI</b>	<b>CCT</b>	<b>Adapter</b>	<b>Finish</b>



### ORDERING GUIDE-ACCESSORIES

Ordered separately

<b>T10016</b> Monopoint Mounting <b>T10017</b> Duopoint Mounting	<b>-BK</b> Black <b>-WH</b> White
<b>Mounting</b>	<b>Finish</b>

### ORDERING GUIDE- TRACK SYSTEM

Track system and components are ordered with the track head if needed.

Refer to the links below for more information

<b>T1</b> ERALUX Track T1 Compatible with Juno system-1 circuit	<b>-2</b> 2ft track <b>-4</b> 4ft track <b>-6</b> 6ft track <b>-8</b> 8ft track <b>-12</b> 12ft track	<b>-BK</b> Black Finish		
<b>T2</b> ERALUX Track T2 Compatible with Juno system-2 circuit	<b>0001</b> Mini I Connector <b>0002</b> T Connector <b>0003</b> L Connector <b>0004</b> X Connector <b>0015</b> End Feed	<b>-WH</b> White Finish		
<b>H1</b> ERALUX Track H1 Compatible with Halo system-1 circuit				
<b>Track System</b>	<b>Components</b>	<b>Finish</b>	<b>PN</b>	<b>QTY</b>

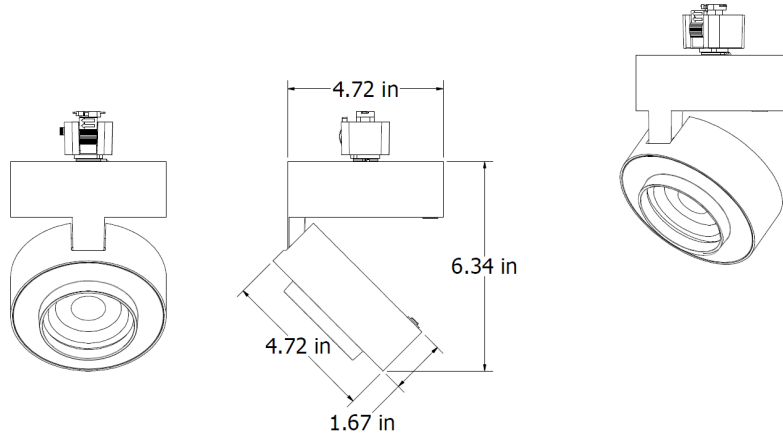
## TRACK LED LIGHT

Round Track Head | 3" Aperture

### DIMENSIONS

AE-TL-TR-30-UV-XX-P

- Rotation up to 355°
- Tilt +/- 90°



### ACCESSORIES

#### MOUNTING

ORDERING CODE		DESCRIPTION	PICTURE
T10016	-WH	Monopoint adapter Surface / wall mount Compatible with Juno system 1 Track head can be installed.	
	-BK		
T10017	-WH	Duopoint adapter Surface / wall mount Compatible with Juno system. 2 Track heads can be installed.	
	-BK		

## TRACK LED LIGHT

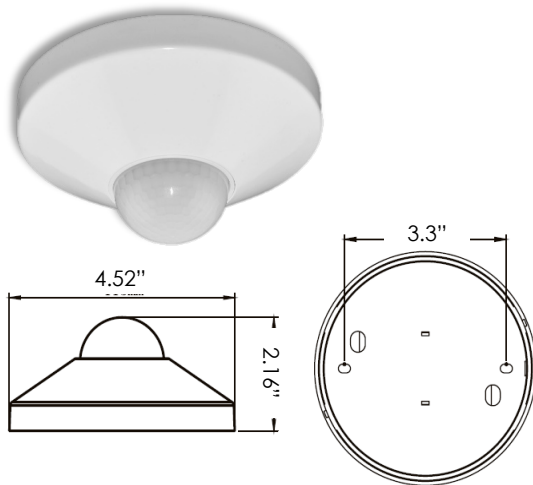
Cylinder Track | 3" Aperture

### ROOM OCCUPANCY SENSOR

Ordered separately, field installed

PART NUMBER	DESCRIPTION
AE-CT-DT806	Detecta – Room Occupancy Sensor
RC102	RC102 Remote Control

SPECIFICATIONS		
<b>Input Voltage</b>	120-277 Vac	
<b>Power Frequency</b>	50/60HZ	
<b>Rated Load</b>	At 120 Vac	800W
	At 277 Vac	1200W
<b>Detection Range</b>	3-10 Meters	
	9.8-32.75 Feet	
<b>Standby Power</b>	~0.9W	
<b>Time Setting</b>	10 sec to 30 min	
<b>Light Control</b>	10-2,000LUX	
<b>Installation</b>	Ceiling Mounted	



### DIMMER COMPATIBILITY LIST

TRIAC/ELV Dimming

Brand	Model	Brand	Model
Leviton	6602-X	Lutron	SLV-600
	6681-X		S2-LX
	6683-X		GL-600H
	6684-X		NFTU-5A
	6633		DVLV-600P
	6674	Cooper	9530XXX
	IPI06-1LZ	Lightolier	MP600X
	700-X	Advance	SR150LED120
	705-X		

0-10V Dimming

Brand	Model
Lutron, Nova Series	NFTV
Lutron, DIVA Series	DVTV
Leviton, Illumatech	IP710-DL

## TRACK LED LIGHT

Round Track Head | 3" Aperture

### LUMEN ESTIMATE

Lumen output varies based on CCT and CRI. An estimate of lumen output of the various CCT/CRI combinations, use correction factors as per table below:

LUMEN ESTIMATE ADJUSTMENT FACTORS		
CCT	3000K	4000K
90CRI	0.86	0.93

### PHOTOMETRIC DATA

PART NUMBER	ZONAL LUMEN SUMMARY			POLAR LUMINOUS INTENSITY	CONE DISTRIBUTION			
AE-TL-TR-30-UVNFP30XXXX	Zone	Lumens	% Fixture	Direct Light	Center Beam Fc	Beam Width		
Wattage	30	0-20°	1640.48		1.7ft	1046 fc	0.6 ft	0.6 ft
CCT	3000K	0-30°	1996.08		3.3ft	278 fc	1.2 ft	1.3 ft
Distribution	20°	0-40°	2131.65		5.0ft	121 fc	1.9 ft	1.9 ft
		0-60°	2197.96		6.7ft	67.4 fc	2.5 ft	2.5 ft
		0-80°	2216.87		8.3ft	43.9 fc	3.1 ft	3.2 ft
		0-90°	2223.98		10.0ft	30.2 fc	3.8 ft	3.8 ft
					■ Vert. Spread: 21.3° ■ Horiz. Spread: 21.5°			

PART NUMBER	ZONAL LUMEN SUMMARY			POLAR LUMINOUS INTENSITY	CONE DISTRIBUTION			
AE-TL-TR-30-UVFLP30XXXX	Zone	Lumens	% Fixture	Direct Light	Center Beam Fc	Beam Width		
Wattage	30W	0-20°	1620.85		1.7ft	851 fc	0.8 ft	0.8 ft
CCT	3000K	0-30°	2004.27		3.3ft	226 fc	1.6 ft	1.6 ft
Distribution	25°	0-40°	2157.6		5.0ft	98.4 fc	2.4 ft	2.4 ft
		0-60°	2237.64		6.7ft	54.8 fc	3.2 ft	3.2 ft
		0-80°	2259.31		8.3ft	35.7 fc	3.9 ft	4.0 ft
		0-90°	2266.96		10.0ft	24.6 fc	4.7 ft	4.8 ft
					■ Vert. Spread: 26.6° ■ Horiz. Spread: 26.9°			

PART NUMBER	ZONAL LUMEN SUMMARY			POLAR LUMINOUS INTENSITY	CONE DISTRIBUTION			
AE-TL-TR-30-UVWFP30XXXX	Zone	Lumens	% Fixture	Direct Light	Center Beam Fc	Beam Width		
Wattage	30W	0-20°	1167		1.7ft	625 fc	1.1 ft	1.1 ft
CCT	3000K	0-30°	1723.86		3.3ft	166 fc	2.2 ft	2.2 ft
Distribution	35°	0-40°	1955.85		5.0ft	72.2 fc	3.3 ft	3.3 ft
		0-60°	2072.63		6.7ft	40.2 fc	4.4 ft	4.4 ft
		0-80°	2097.09		8.3ft	26.2 fc	5.5 ft	5.5 ft
		0-90°	2104.48		10.0ft	18.1 fc	6.6 ft	6.6 ft
					■ Vert. Spread: 36.4° ■ Horiz. Spread: 36.4°			

PART NUMBER	ZONAL LUMEN SUMMARY			POLAR LUMINOUS INTENSITY	CONE DISTRIBUTION			
AE-TL-TR-30-UVVFP30XXXX	Zone	Lumens	% Fixture	Direct Light	Center Beam Fc	Beam Width		
Wattage	30W	0-20°	918.45		1.7ft	426 fc	2.1 ft	2.1 ft
CCT	3000K	0-30°	1513.48		3.3ft	113 fc	4.0 ft	4.0 ft
Distribution	50°	0-40°	1873.72		5.0ft	49.3 fc	6.1 ft	6.1 ft
		0-60°	2036.59		6.7ft	27.4 fc	8.1 ft	8.2 ft
		0-80°	2069.1		8.3ft	17.9 fc	10.1 ft	10.1 ft
		0-90°	2078.11		10.0ft	12.3 fc	12.1 ft	12.2 ft
					■ Vert. Spread: 62.4° ■ Horiz. Spread: 62.6°			

## TRACK LED LIGHT

Round Track Head | 3" Aperture

### OVERVIEW



#### Innovative Design

- Die cast aluminum housing for better heat dissipation.
- Improved design extends LED and driver lifespan.



#### Multiple Options

- Multiple beam angles.
- Four CCTs available.
- Black, white, and silver finishes.



#### Tests And Certifications



#### Mountings Available

- Choose from any of the popular track systems such as Juno, Halo, Lightolier, or Global.
- Surface mount with either monopoint or duopoint adapters.

